

## DS-KD8003-IME1 Video Intercom Module Door Station

### Diagram References

#### 1 Appearance

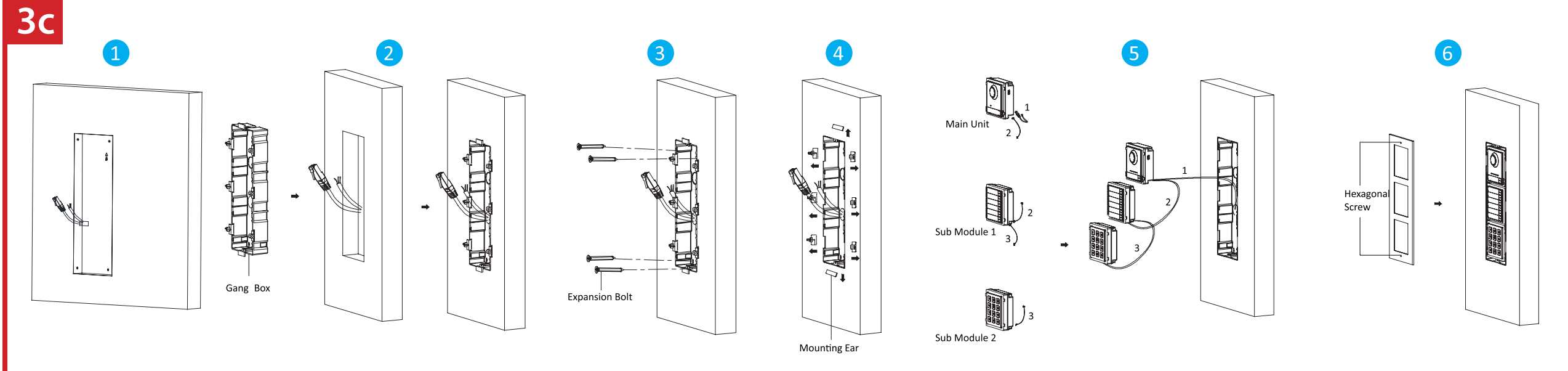
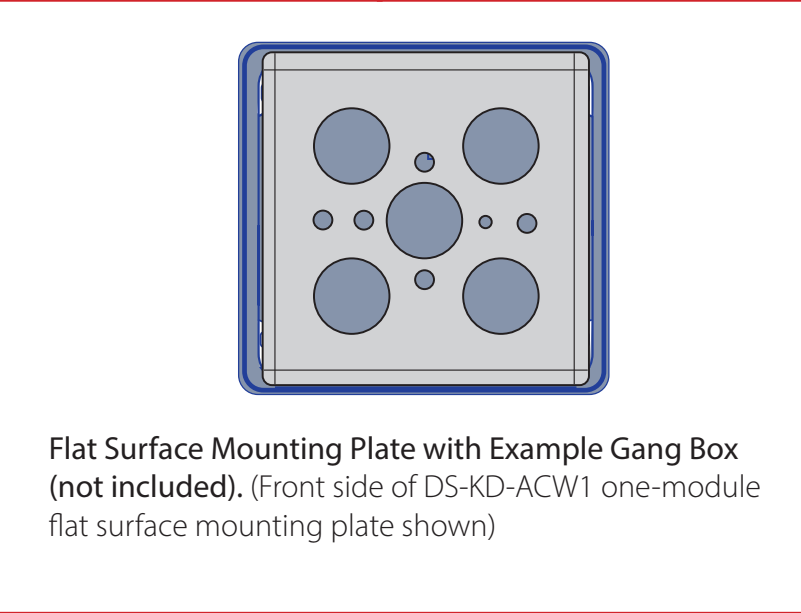
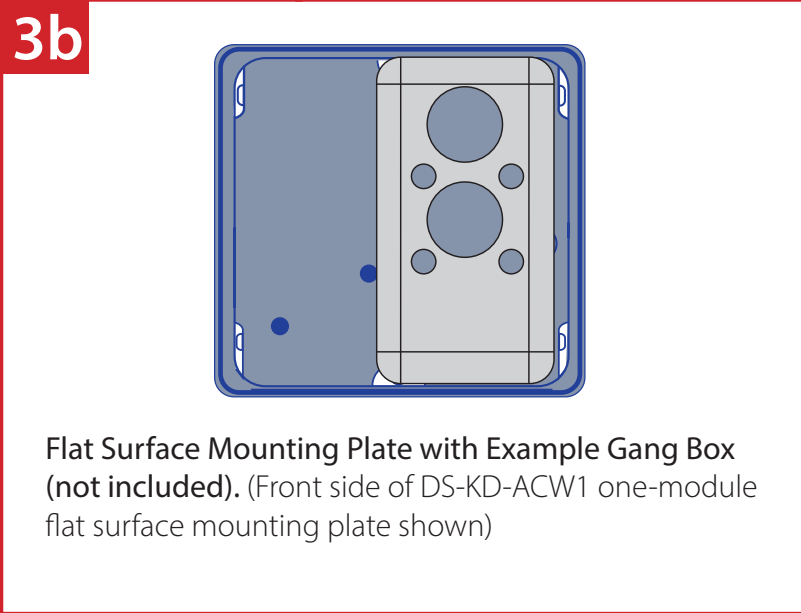
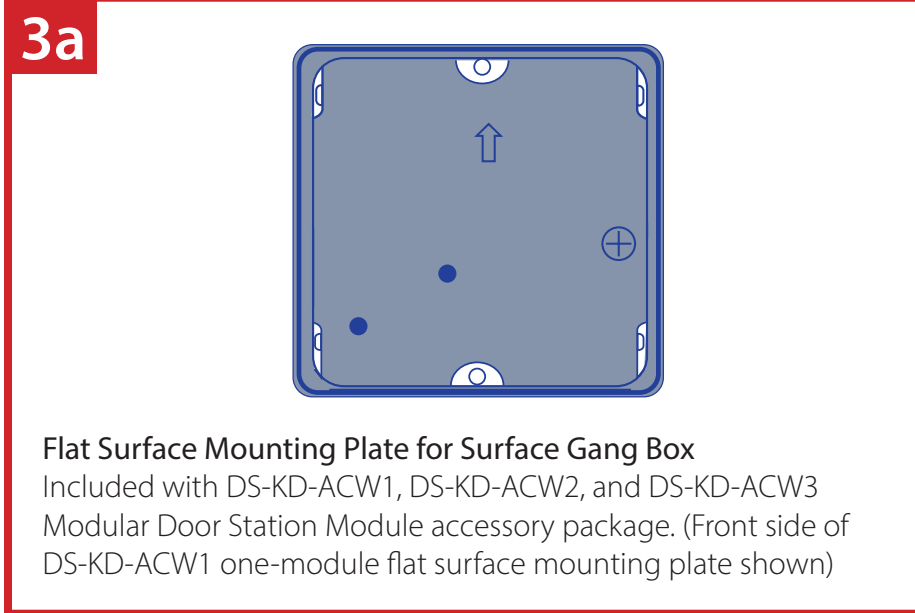
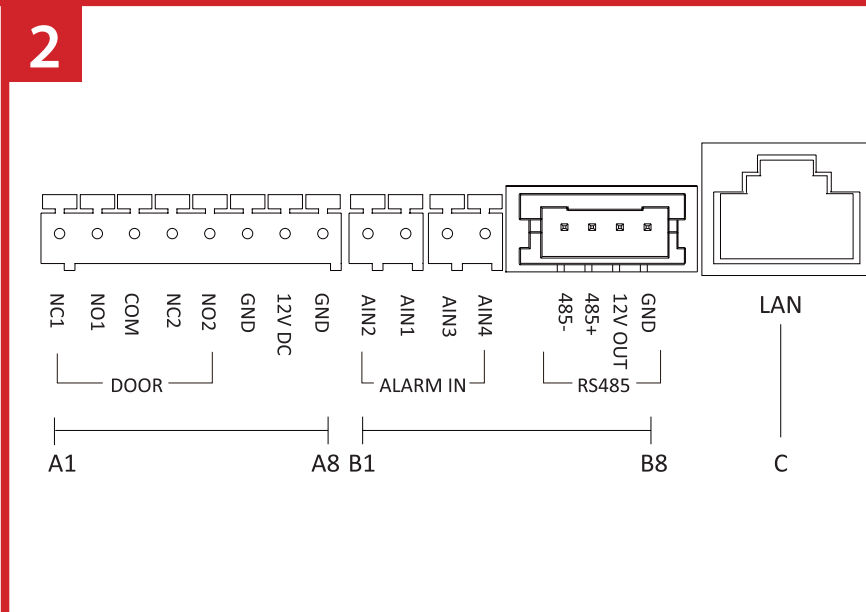
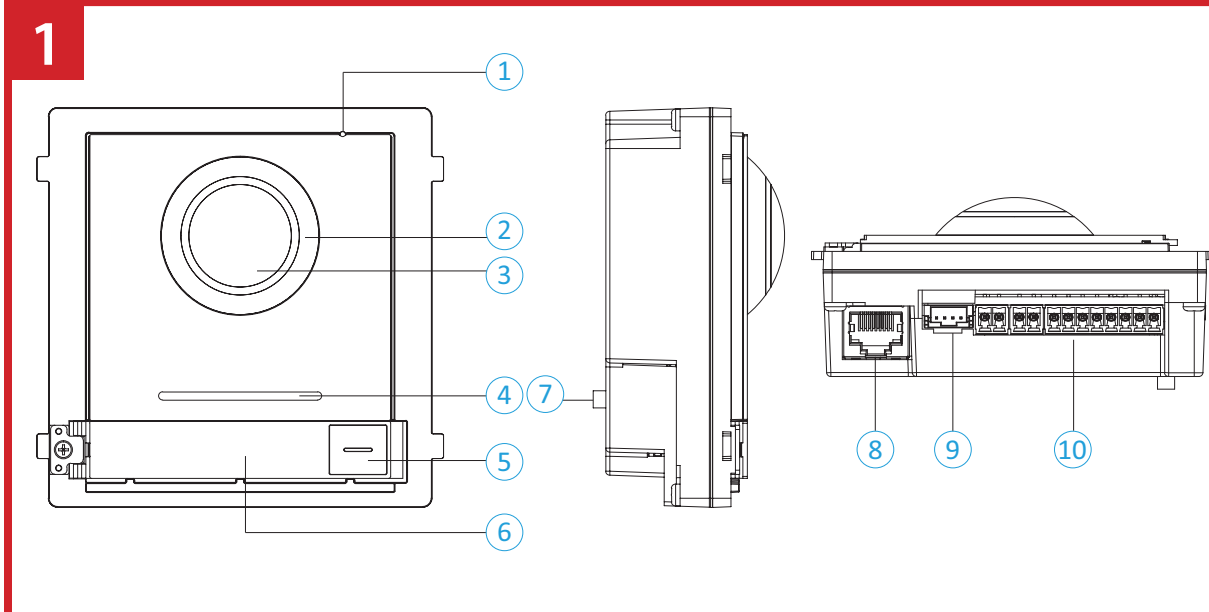
- ① Microphone
- ② Low Illumination IR Supplement Light
- ③ Built-in Camera
- ④ Loudspeaker
- ⑤ Call Button
- ⑥ Nametag
- ⑦ Tamper
- ⑧ Network Interface
- ⑨ Module-Connecting Interface
- ⑩ Terminals

**NOTE:** The module-connecting interface connects sub modules such as nametag module, keypad module, card reader module, etc.

#### 2 Terminal

- A1 NC1: Door Lock Relay Output (NC)
- A2 NO1: Door Lock Relay Output (NO)
- A3 COM: Common Interface
- A4 NC2: Door Lock Relay Output (NC)
- A5 NO2: Door Lock Relay Output (NO)
- A6 GND: Grounding
- A7 12 VDC: Power Input
- A8 GND: Grounding
- B1 AIN2: For Door Contact 2 Access
- B2 AIN1: For Door Contact 1 Access
- B3 AIN3: For Exit Button 1 Access
- B4 AIN4: For Exit Button 2 Access
- B5 485-: Module-Connecting Interface
- B6 485+: Module-Connecting Interface
- B7 12V OUT: Module-Connecting Interface
- B8 GND: Module-Connecting Interface
- C PoE Network Interface (supports IEEE 802.af/at-compliant devices)

(Continued...)



### 3 Installation

**NOTE:** The Video Intercom Module Door Station supports one-, two-, three-, and multiple module installations. Here the three-module installation is used as an example.

#### Before You Start

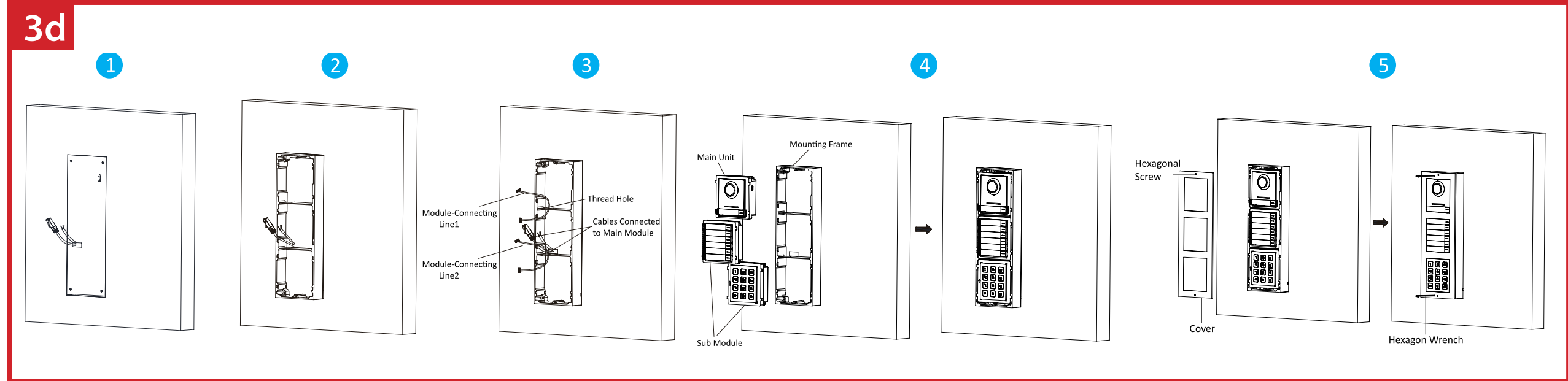
- Tools that you will need to prepare for installation: Drill with 15/64" (6 mm) bit, Philips head screwdriver (PH1 x 150 mm), and level.
- Make sure all related equipment is powered-off during the installation.
- Make sure you have configured the sub module address before installation. Valid sub module address range is 1 to 8. The no. should be unique for sub modules connected to the same main unit. The sub module address and corresponding switch status is shown as in the figure below.

Sub Module Address	DIP 1	DIP 2	DIP 3	DIP 4	DIP 5	DIP 6	DIP 7	DIP 8
Module 1	ON	OFF	OFF	OFF	OFF	OFF	OFF	OFF
Module 2	OFF	ON	OFF	OFF	OFF	OFF	OFF	OFF
Module 3	ON	ON	OFF	OFF	OFF	OFF	OFF	OFF
Module 4	OFF	OFF	ON	OFF	OFF	OFF	OFF	OFF
Module 5	ON	OFF	ON	OFF	OFF	OFF	OFF	OFF
Module 6	OFF	ON	ON	OFF	OFF	OFF	OFF	OFF
Module 7	ON	ON	ON	OFF	OFF	OFF	OFF	OFF
Module 8	OFF	OFF	OFF	ON	OFF	OFF	OFF	OFF

#### ★ Three-Module Flush Mounting (Figure 3c)

1. Cave the installation hole, and pull the cable out.

**NOTE:** Suggested installation hole dimensions: 321.8 mm (W) × 108 mm (H) × 45.5 mm (D). Suggested length of cables left outside: 270 mm.



2. Select a cable entry and remove the plastic sheet. Route the cables through the gang box hole. Insert the gang box into the installation hole. Mark the gang box screw holes' positions with a marker, and take out the gang box.

3. Drill four holes according to the marks on the wall, and insert the expansion sleeves into the screw holes. Affix the gang box with four expansion bolts.

4. Fill the gap between the gang box and wall with concrete or silicone sealant. Remove the mounting ears with tool after concrete is dry.

5. Connect cables and insert the modules.

- a. Connect Cable 1 and one end of Cable 2 to the corresponding interfaces of the main unit, then insert the main unit into the upper grid.
- b. Connect the other end of Cable 2 to the Sub Module 1 input interface. Connect one end of Sub Module 1, and insert it into the middle grid.
- c. Connect the other end of Cable 3 to the Sub Module 2 input

interface. Insert it into the bottom grid.

6. Affix the cover and the main unit with two socket head cap screws by using a hexagon wrench.

#### ★ Surface Mounting with Protective Shield (Figure 3d)

To surface mount the intercom module using a gang box, use the flat surface mounting plate included with the DS-KD-ACW1, DS-KD-ACW2, and DS-KD-ACW3 Modular Door Station Module accessory packages.

- A three module flat surface mounting plate, included with the DS-KD-ACW3, is shown in Figure 3a as an example.
- Different gang box types are shown in Figure 3b.
- Attach the gang box to the flat surface mounting plate as shown.
- Make sure that the flat surface mounting plate and gang box are oriented as shown (mounting plate "up" arrow pointing up).

1. Paste installation sticker 1 onto the wall. Make sure the sticker is placed

horizontally by using the level. Drill four holes according to the screw holes on the sticker.

**NOTE:** The suggested hole size is 6 mm (diameter) × 25 mm (depth). The suggested length of the cables left outside is 270 mm.

2. Remove the sticker, and insert the expansion sleeves into the screw holes. Affix the flat surface mounting plate onto the wall with four expansion bolts.

3. Affix the mounting frame onto the flat surface mounting plate with included screws.

4. Thread the module-connecting line across the frame's thread holes. Pass the main unit connecting line across the thread hole to the top grid, and connect the cables.

- a. Connect the lines and module-connecting line 1 to the corresponding interfaces of the main unit, then place the main unit into the upper grid.

- b. Connect the other end of module-

connecting line 1 to the sub module's input interface via module-connecting line 2.

- c. Organize the cables with the cable tie in the package.

5. Insert the modules into the frame after wiring. The main unit must be placed in the top grid.

6. Use the hexagon wrench in the package to affix the cover onto the frame.