



# Face Recognition Terminal

## Quick Start Guide

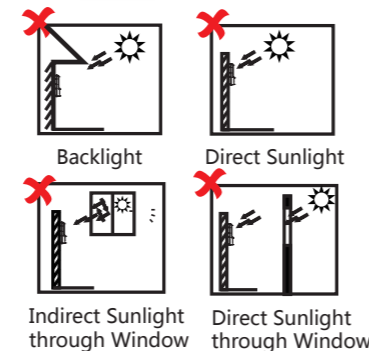
UD09017B-B

# 1 Installation

### Installation Environment:

- If installing the device indoors, the device should be at least 2 meters away from the light, and at least 3 meters away from the window or door.
- the window or door.

Make sure the environment illumination is more than 100 lux.



### Before you start:

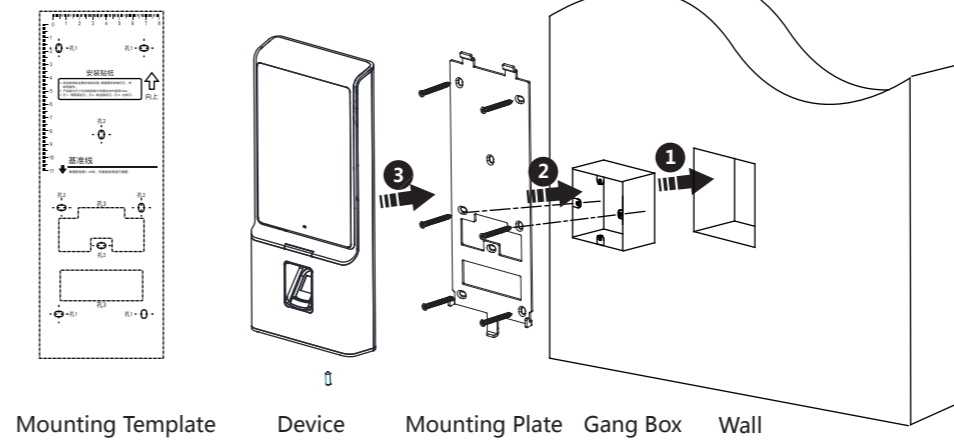
1. According to the baseline on the mounting template, stick the mounting template on the wall or other surface, 1.4 meters higher than the ground.
2. Connect the supplied cable to the device terminals on the device rear panel.

### Steps:

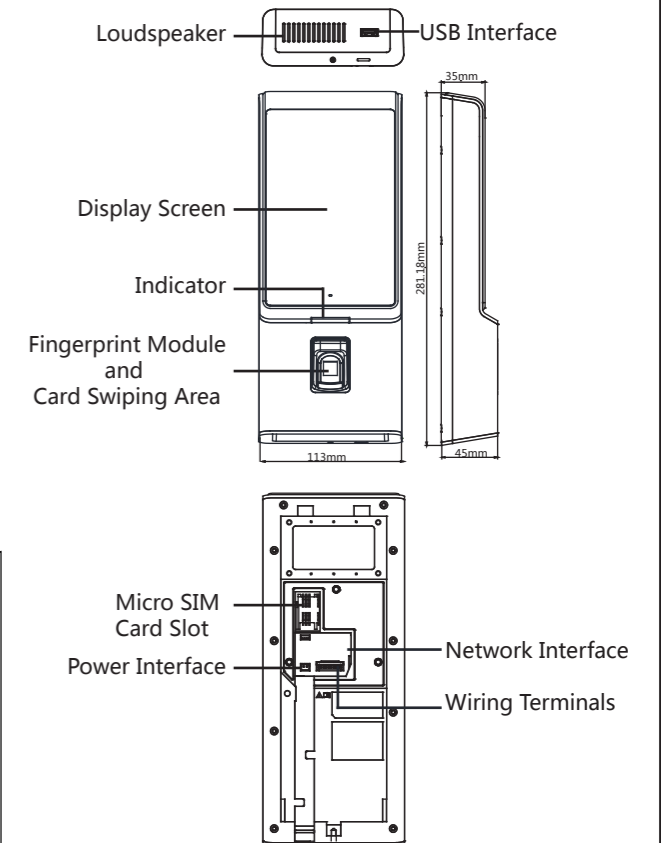
- 1 Drill holes on the wall or other surface according to the mounting template and install the gang box (80mm×80mm).
- 2 Use two supplied screws to secure the mounting plate on the gang box. Use another four supplied screws to secure the mounting plate on the wall. Route the cables through the cable hole of the mounting plate, and connect to the corresponding external devices' cables.
- 3 Remove the screw at the bottom of the device, and align the terminal with the mounting plate and buckle them together. Use a hex wrench to fasten the screw at the bottom.

### Notes:

1. The installation height here is the recommended height. You can change it according to your actual needs.
2. You can also install the device on the wall or other places without the gang box. For details, refer to the *User Manual*.
3. For easy installation, drill holes on mounting surface according to the supplied mounting template.



### Dimensions:



Note: The figures are for reference only.

©2018 Hangzhou Hikvision Digital Technology Co., Ltd. It includes instructions on how to use the Product. The software embodied in the Product is governed by the user license agreement covering that Product.

### About this Manual

This Manual is subject to domestic and international copyright protection. Hangzhou Hikvision Digital Technology Co., Ltd. ("Hikvision") reserves all rights to this manual. This manual cannot be reproduced, changed, translated, or distributed, partially or wholly, by any means, without the prior written permission of Hikvision.

### Trademarks

HIKVISION and other Hikvision marks are the property of Hikvision and are registered trademarks or the subject of applications for the same by Hikvision and/or its affiliates. Other trad owners. No right of license is given to use such trademarks without express permission.

### Legal Disclaimer

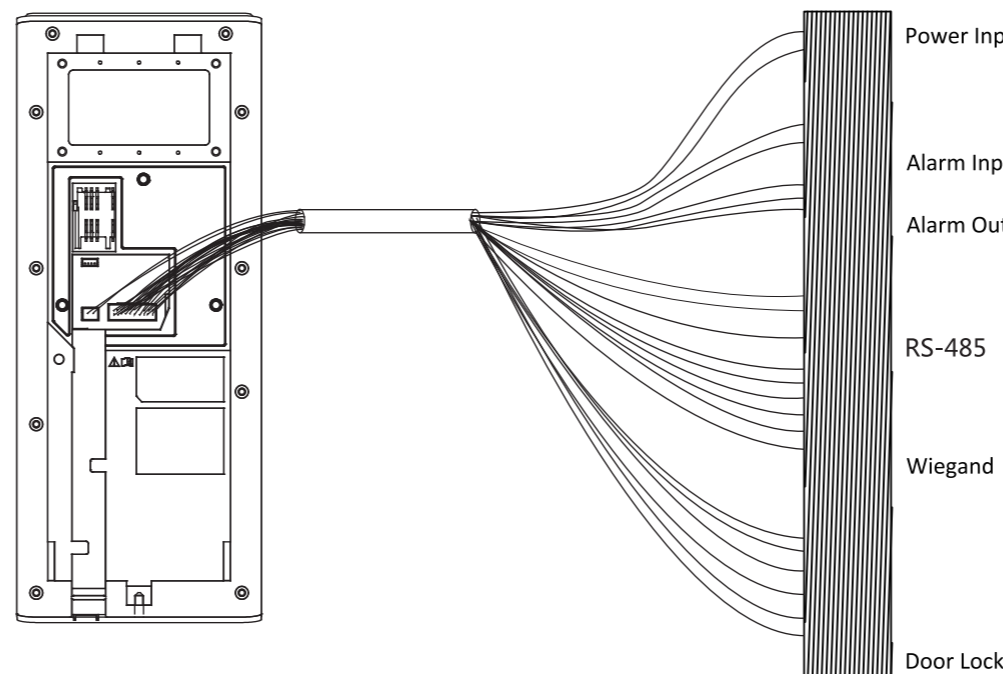
TO THE MAXIMUM EXTENT PERMITTED BY APPLICABLE LAW, THE PRODUCT DESCRIBED, WITH ITS HARDWARE, SOFTWARE AND FIRMWARE, IS PROVIDED "AS IS," WITH ALL FAULTS AND ERRORS, AND HIKVISION MAKES NO WARRANTIES, EXPRESS OR IMPLIED, INCLUDING WITHOUT LIMITATION, MERCHANTABILITY, SATISFACTORY QUALITY, FITNESS FOR A PARTICULAR PURPOSE, AND NON-INFRINGEMENT OF THIRD PARTY. IN NO EVENT WILL HIKVISION, ITS DIRECTORS, OFFICERS, EMPLOYEES, OR AGENTS BE LIABLE TO YOU FOR ANY SPECIAL, CONSEQUENTIAL, INCIDENTAL, OR INDIRECT DAMAGES, INCLUDING, AMONG OTHERS, DAMAGES FOR LOSS OF BUSINESS PROFITS, BUSINESS INTERRUPTION, OR LOSS OF DATA OR DOCUMENTATION, IN CONNECTION WITH THE USE OF THIS PRODUCT, EVEN IF HIKVISION HAS BEEN ADVISED OF THE POSSIBILITY OF SUCH DAMAGES.

REGARDING TO THE PRODUCT WITH INTERNET ACCESS, THE USE OF PRODUCT SHALL BE WHOLLY AT YOUR OWN RISKS. HIKVISION SHALL NOT TAKE ANY RESPONSIBILITIES FOR ABNORMAL OPERATION, PRIVACY LEAKAGE OR OTHER DAMAGES RESULTING FROM CYBER ATTACK, HACKER ATTACK, VIRUS INSPECTION, OR OTHER INTERNET SECURITY RISKS; HOWEVER, HIKVISION WILL PROVIDE TIMELY TECHNICAL SUPPORT IF REQUIRED.

SURVEILLANCE LAWS VARY BY JURISDICTION. PLEASE CHECK ALL RELEVANT LAWS IN YOUR JURISDICTION BEFORE USING THIS PRODUCT IN ORDER TO ENSURE THAT YOUR USE CONFORMS THE APPLICABLE LAW. HIKVISION SHALL NOT BE LIABLE IN THE EVENT THAT THIS PRODUCT IS USED WITH ILLEGITIMATE PURPOSES.

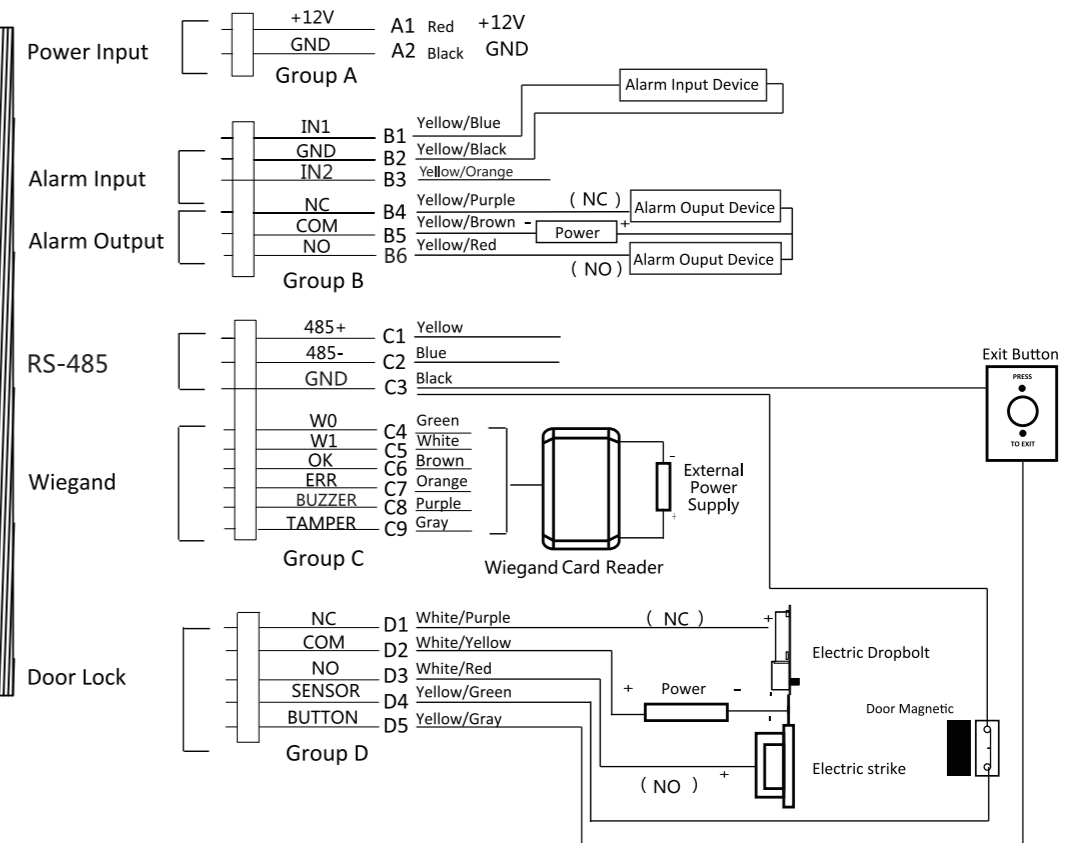
IN THE EVENT OF ANY CONFLICTS BETWEEN THIS MANUAL AND THE APPLICABLE LAW, THE LATTER PREVAILS.

# 2.1 Device Wiring (Without Secure Door Control Unit)

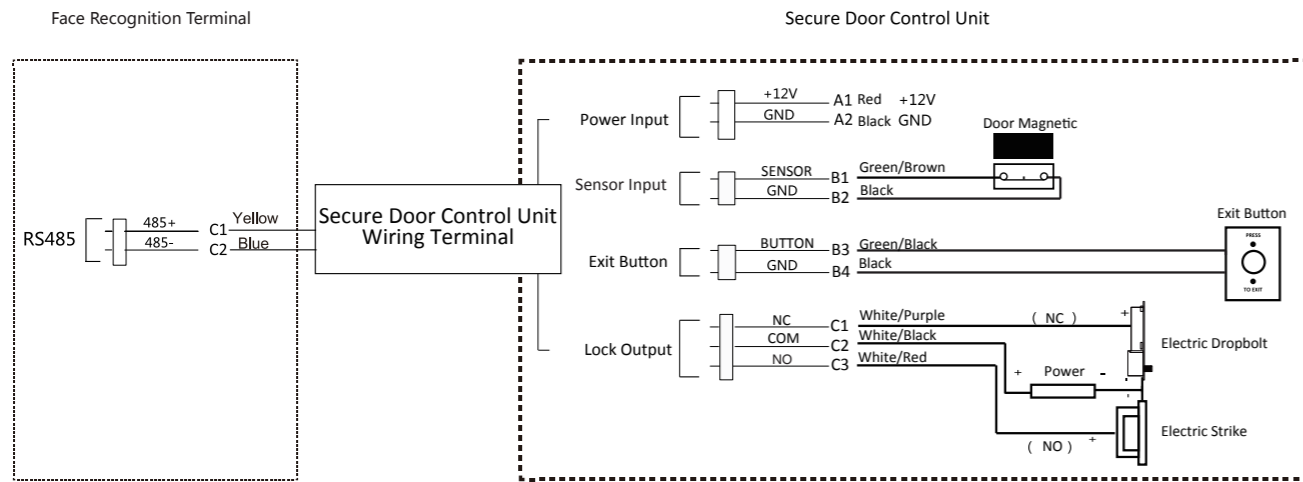


### Notes:

1. When connecting door magnetic sensor and exit button, the device and the RS-485 card reader should use the common ground connection.
2. The Wiegand terminal displayed here is a Wiegand input terminal. You should set the face recognition terminals Wiegand direction to "Input." If you should connect to an access controller, you should set the Wiegand direction to "Output." For details, see Setting Wiegand Parameters in Section 7.3.1 Communication Settings.



## 2.2 Device Wiring (With Secure Door Control Unit)



**Note:** The secure door control unit should connect to an external power supply separately.

## 3 Activation

Power on and wire the network cable after installation.

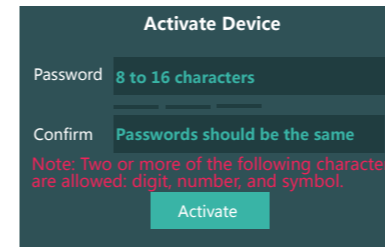
You should activate the device before the first login.

### Activating via Device

If the device is not activated yet, it will enter the Activate Device page after powering on.

1. Create a password and confirm the password.
2. Tap **Activate** to activate the device.

**Note:** For other activation methods, see the device user manual.



**STRONG PASSWORD RECOMMENDED –**  
We highly recommend that you create a strong password of your own choosing (using a minimum of eight characters, including upper case letters, lower case letters, numbers, and special characters) in order to increase the security of your product. We also recommend that you reset your password regularly. Especially in a high security system, resetting the password monthly or weekly can better protect your product.

## 4 Adding Face Information

1. Tap the settings icon at the lower right corner of the initial page and input the activation password to enter the main page.
2. Enter the User Management page, tap + to enter the Add User page.

**Note:** The device will not support the fingerprint collection function if the device model contains F.

4. Tap **Face** and collect the face information according to the instructions.

You can view the captured picture at the upper right corner of the page. Make sure the face picture is in good quality and size. For details about the tips and positions when collecting or comparing the face picture, see the contents on the right.

5. If the picture is in good condition, tap **Save** to save the picture. Or tap **Try Again** to take another face picture.

6. Tap ✓ to save the settings.

Go back to the initial page to start authentication.

For other authentication methods, see the device user manual.

### Recommended:

Use 1:1 Face Matching when the face is hard to recognize.

Use other authentication methods if the device is affected by the light or other items.

**1:1 Matching:** The device will compare the captured face picture with the ones in the database.

**1:N Matching:** The device will compare the captured face picture with the input employee ID linked face picture.

### Notes:

If you require a higher security level, do not use single authentication.

If you adopt multiple authentications mode, you should authenticate other methods before authenticating face.

### Tips When Collecting/Comparing Face Picture

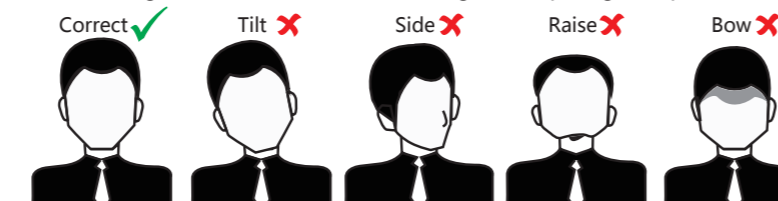
#### Expression

- Keep your expression natural when collecting or comparing face pictures, just like the expression in the picture on the right.
- Do not wear a hat, sunglasses, or other accessories that can affect the facial recognition function.
- Do not have your hair cover your eyes, ears, etc. and heavy makeup is not allowed.



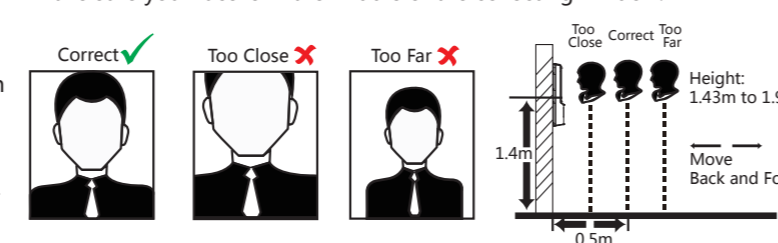
#### Posture

In order to get a good quality and accurate face picture, position your face looking at the camera when collecting or comparing face pictures.

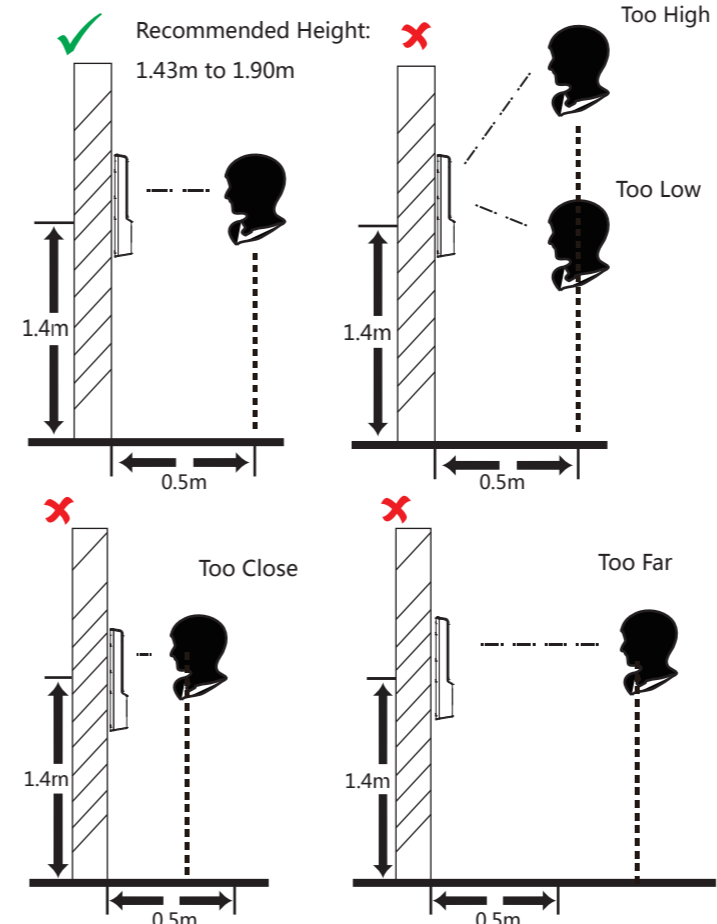


#### Size

Make sure your face is in the middle of the collecting window.



### Positions When Collecting/Comparing Face Picture (Recommended Distance: 0.5m)



## Regulatory Information

### FCC Information

Please take attention that changes or modification not expressly approved by the party responsible for compliance could void the user's authority to operate the equipment.

**FCC Compliance:** This equipment has been tested and found to comply with the limits for a Class B digital device, pursuant to part 15 of the FCC Rules. These limits are designed to provide reasonable protection against harmful interference in a residential installation. This equipment generates, uses, and can radiate radio frequency energy and, if not installed and used in accordance with the instructions, may cause harmful interference to radio communications. However, there is no guarantee that interference will not occur in a particular installation. If this equipment does cause harmful interference to radio or television reception, which can be determined by turning the equipment off and on, the user is encouraged to try to correct the interference by one or more of the following measures:

- Reorient or relocate the receiving antenna
  - Increase the separation between the equipment and receiver
  - Connect the equipment into an outlet on a circuit different from that to which the receiver is connected
  - Consult the dealer or an experienced radio/TV technician for help
- This equipment should be installed and operated with a minimum distance of 20 cm between the radiator and your body.

### FCC Conditions

This device complies with part 15 of the FCC Rules. Operation is subject to the following two conditions:

1. This device may not cause harmful interference.
2. This device must accept any interference received, including interference that may cause undesired operation.

### EU Conformity Statement

This product and, if applicable, the supplied accessories too are marked with "CE" and comply therefore with the applicable harmonized European standards listed under the RE Directive 2014/53/EU, the EMC Directive 2014/30/EU, the RoHS Directive 2011/65/EU.

2006/66/EC (battery directive): This product contains a battery that cannot be disposed of as unsorted municipal waste in the European Union. See the product documentation for specific battery information. The battery is marked with this symbol, which may include lettering to indicate cadmium (Cd), lead (Pb), or mercury (Hg). For proper recycling, return the battery to your supplier or to a designated collection point. For more information see: [www.recyclethis.info](http://www.recyclethis.info)

2012/19/EU (WEEE directive): Products marked with this symbol cannot be disposed of as unsorted municipal waste in the European Union. For proper recycling, return this product to your local supplier upon the purchase of equivalent new equipment, or dispose of it at designated collection points. For more information see: [www.recyclethis.info](http://www.recyclethis.info)

### Industry Canada ICES-003 Compliance

This device meets the CAN ICES-3 (B)/NMB-3(B) standards requirements.

This device complies with Industry Canada licence-exempt RSS standard(s). Operation is subject to the following two conditions:

- (1) this device may not cause interference, and
- (2) this device must accept any interference, including interference that may cause undesired operation of the device.

Le présent appareil est conforme aux CNR d'Industrie Canada applicables aux appareils radioexemptés de licence. L'exploitation est autorisée aux deux conditions suivantes :

- (1) l'appareil ne doit pas produire de brouillage, et
- (2) l'utilisateur de l'appareil doit accepter tout brouillage radioélectrique subi, même si le brouillage est susceptible d'en compromettre le fonctionnement.

Under Industry Canada regulations, this radio transmitter may only operate using an antenna of a type and maximum (or lesser) gain approved for the transmitter by Industry Canada. To reduce potential radio interference to other users, the antenna type and its gain should be so chosen that the equivalent isotropically radiated power (e.i.r.p.) is not more than that necessary for successful communication.

Conformément à la réglementation d'Industrie Canada, le présent émetteur radio peut fonctionner avec une antenne d'un type et d'un gain maximal (ou inférieur) approuvé pour l'émetteur par Industrie Canada. Dans le but de réduire les risques de brouillage radioélectrique à l'intention des autres utilisateurs, il faut choisir le type d'antenne et son gain de sorte que la puissance isotrope rayonnée équivalente (p.i.r.e.) ne dépasse pas l'intensité nécessaire à l'établissement d'une communication satisfaisante.

This equipment should be installed and operated with a minimum distance 20cm between the radiator and your body.

Cet équipement doit être installé et utilisé à une distance minimale de 20 cm entre le radiateur et votre corps.

Use only power supplies listed in the user instructions:

Model	Manufacturer	Standard
C2000IC12.0-24P-DE	MOSO Power Supply Technology Co., Ltd.	CEE
C2000IC12.0-24P-GB	MOSO Power Supply Technology Co., Ltd.	BS
ADS-24S-12 1224GPG	Shenzhen Honor Electronic Co., Ltd.	CEE



Scan the QR code to get the user manual for detailed information. Note that mobile data charges may apply if Wi-Fi is unavailable.