



# Module Door Station

User Manual

## Legal Information

### User Manual

©2019 Hangzhou Hikvision Digital Technology Co., Ltd. All rights reserved.

### About this Manual

The Manual includes instructions for using and managing the Product. Pictures, charts, images and all other information hereinafter are for description and explanation only. The information contained in the Manual is subject to change, without notice, due to firmware updates or other reasons. Please find the latest version of this Manual at the Hikvision website (<http://overseas.hikvision.com/en/>).

Please use this Manual with the guidance and assistance of professionals trained in supporting the Product.

### Trademarks

**HIKVISION** and other Hikvision's trademarks and logos are the properties of Hikvision in various jurisdictions.

Other trademarks and logos mentioned are the properties of their respective owners.

**HDMI**<sup>™</sup> : The terms HDMI and HDMI High-Definition Multimedia Interface, and the HDMI Logo are trademarks or registered trademarks of HDMI Licensing Administrator, Inc. in the United States and other countries.

### Disclaimer

TO THE MAXIMUM EXTENT PERMITTED BY APPLICABLE LAW, THIS MANUAL AND THE PRODUCT DESCRIBED, WITH ITS HARDWARE, SOFTWARE AND FIRMWARE, ARE PROVIDED “AS IS” AND “WITH ALL FAULTS AND ERRORS”. HIKVISION MAKES NO WARRANTIES, EXPRESS OR IMPLIED, INCLUDING WITHOUT LIMITATION, MERCHANTABILITY, SATISFACTORY QUALITY, OR FITNESS FOR A PARTICULAR PURPOSE. THE USE OF THE PRODUCT BY YOU IS AT YOUR OWN RISK. IN NO EVENT WILL HIKVISION BE LIABLE TO YOU FOR ANY SPECIAL, CONSEQUENTIAL, INCIDENTAL, OR INDIRECT DAMAGES, INCLUDING, AMONG OTHERS, DAMAGES FOR LOSS OF BUSINESS PROFITS, BUSINESS INTERRUPTION, OR LOSS OF DATA, CORRUPTION OF SYSTEMS, OR LOSS OF DOCUMENTATION, WHETHER BASED ON BREACH OF CONTRACT, TORT (INCLUDING NEGLIGENCE), PRODUCT LIABILITY, OR OTHERWISE, IN CONNECTION WITH THE USE OF THE PRODUCT, EVEN IF HIKVISION HAS BEEN ADVISED OF THE POSSIBILITY OF SUCH DAMAGES OR LOSS.

YOU ACKNOWLEDGE THAT THE NATURE OF INTERNET PROVIDES FOR INHERENT SECURITY RISKS, AND HIKVISION SHALL NOT TAKE ANY RESPONSIBILITIES FOR ABNORMAL OPERATION, PRIVACY LEAKAGE OR OTHER DAMAGES RESULTING FROM CYBER-ATTACK, HACKER ATTACK, VIRUS INSPECTION, OR OTHER INTERNET SECURITY RISKS; HOWEVER, HIKVISION WILL PROVIDE TIMELY TECHNICAL SUPPORT IF REQUIRED.

YOU AGREE TO USE THIS PRODUCT IN COMPLIANCE WITH ALL APPLICABLE LAWS, AND YOU ARE SOLELY RESPONSIBLE FOR ENSURING THAT YOUR USE CONFORMS TO THE APPLICABLE LAW.

## Module Door Station User Manual




---

ESPECIALLY, YOU ARE RESPONSIBLE, FOR USING THIS PRODUCT IN A MANNER THAT DOES NOT INFRINGE ON THE RIGHTS OF THIRD PARTIES, INCLUDING WITHOUT LIMITATION, RIGHTS OF PUBLICITY, INTELLECTUAL PROPERTY RIGHTS, OR DATA PROTECTION AND OTHER PRIVACY RIGHTS. YOU SHALL NOT USE THIS PRODUCT FOR ANY PROHIBITED END-USES, INCLUDING THE DEVELOPMENT OR PRODUCTION OF WEAPONS OF MASS DESTRUCTION, THE DEVELOPMENT OR PRODUCTION OF CHEMICAL OR BIOLOGICAL WEAPONS, ANY ACTIVITIES IN THE CONTEXT RELATED TO ANY NUCLEAR EXPLOSIVE OR UNSAFE NUCLEAR FUEL-CYCLE, OR IN SUPPORT OF HUMAN RIGHTS ABUSES.

IN THE EVENT OF ANY CONFLICTS BETWEEN THIS MANUAL AND THE APPLICABLE LAW, THE LATER PREVAILS.

## Symbol Conventions

The symbols that may be found in this document are defined as follows.

Symbol	Description
 <b>Danger</b>	Indicates a hazardous situation which, if not avoided, will or could result in death or serious injury.
 <b>Caution</b>	Indicates a potentially hazardous situation which, if not avoided, could result in equipment damage, data loss, performance degradation, or unexpected results.
 <b>Note</b>	Provides additional information to emphasize or supplement important points of the main text.

## Regulatory Information

### FCC Information

Please take attention that changes or modification not expressly approved by the party responsible for compliance could void the user's authority to operate the equipment.

FCC compliance: This equipment has been tested and found to comply with the limits for a Class B digital device, pursuant to part 15 of the FCC Rules. These limits are designed to provide reasonable protection against harmful interference in a residential installation. This equipment generates, uses and can radiate radio frequency energy and, if not installed and used in accordance with the instructions, may cause harmful interference to radio communications. However, there is no guarantee that interference will not occur in a particular installation. If this equipment does cause harmful interference to radio or television reception, which can be determined by turning the equipment off and on, the user is encouraged to try to correct the interference by one or more of the following measures:

- Reorient or relocate the receiving antenna.
- Increase the separation between the equipment and receiver.
- Connect the equipment into an outlet on a circuit different from that to which the receiver is connected.
- Consult the dealer or an experienced radio/TV technician for help

#### FCC Conditions

This device complies with part 15 of the FCC Rules. Operation is subject to the following two conditions:

1. This device may not cause harmful interference.
2. This device must accept any interference received, including interference that may cause undesired operation.

### EU Conformity Statement



This product and - if applicable - the supplied accessories too are marked with "CE" and comply therefore with the applicable harmonized European standards listed under the EMC Directive 2014/30/EU, the RoHS Directive 2011/65/EU



2012/19/EU (WEEE directive): Products marked with this symbol cannot be disposed of as unsorted municipal waste in the European Union. For proper recycling, return this product to your local supplier upon the purchase of equivalent new equipment, or dispose of it at designated collection points. For more information see: [www.recyclethis.info](http://www.recyclethis.info)



2006/66/EC (battery directive): This product contains a battery that cannot be disposed of as unsorted municipal waste in the European Union. See the product documentation for specific battery information. The battery is marked with this symbol, which may include lettering to indicate cadmium (Cd), lead (Pb), or mercury (Hg). For proper recycling, return the battery to your supplier or to a designated collection point. For more information see: [www.recyclethis.info](http://www.recyclethis.info)

### **Industry Canada ICES-003 Compliance**

This device meets the CAN ICES-3 (B)/NMB-3(B) standards requirements.

# Contents

Chapter 1 Appearance.....	1
Chapter 2 Terminal and Wiring.....	5
2.1 Terminal Description .....	5
2.2 Module Door Station Wiring.....	7
2.2.1 Door Lock Wiring .....	7
2.2.2 Door Contact Wiring .....	8
2.2.3 Exit Button Wiring.....	9
2.2.4 RS-485 Card Reader Wiring .....	9
Chapter 3 Installation.....	10
3.1 Configure Sub Module Address.....	10
3.2 One-Module Installation .....	11
3.2.1 One-Module Surface Mounting .....	11
3.2.2 One-Module Flush Mounting .....	14
3.3 Two-Module Installation .....	19
3.3.1 Two-Module Surface Mounting.....	19
3.3.2 Two-Module Flush Mounting .....	23
3.4 Three-Module Installation .....	28
3.4.1 Three-Module Surface Installation .....	28
3.4.2 Three-Module Flush Mounting.....	33
3.5 More-Than-Three Module Installation.....	37
3.5.1 More-than-Three Module Surface Mounting .....	37
3.5.2 More-Than-Three Module Flush Mounting.....	43
Chapter 4 Device Configuration .....	51
4.1 Activate Device .....	51
4.2 Edit Network Parameters .....	52
4.3 Add Device.....	52
4.4 Reset Password.....	53
4.5 System .....	54
4.6 Configure Video Intercom Parameters.....	57

4.6.1 Device ID Configuration .....	58
4.6.2 Time Parameters.....	58
4.6.3 Permission Password .....	59
4.6.4 Access Control and Elevator .....	60
4.6.5 I/O Input and Output .....	61
4.6.6 Volume Input and Output .....	62
4.6.7 Dial.....	62
4.6.8 Motion Detection .....	63
4.6.9 Intercom Protocol .....	64
4.6.10 Sub Module .....	64
4.7 Configure Video Intercom Network .....	66
4.7.1 Local Network Configuration.....	66
4.7.2 Linked Device Network Configuration .....	66
4.7.3 FTP .....	67
4.7.4 Advanced Settings .....	68
4.8 Person and Card Management .....	69
4.8.1 Organization Management .....	69
4.8.2 Person Management.....	70
4.9 Video Display .....	75
4.9.1 Video Parameters .....	75
4.9.2 Video Display Parameters .....	76
4.9.3 Video & Audio .....	77
Chapter 5 CCD Settings.....	79
5.1 Day Night Switch.....	79
5.2 BLC Mode .....	79
Chapter 6 Video Intercom Operation .....	80
6.1 Video Intercom Operation via Device .....	80
6.1.1 Call Resident.....	80
6.1.2 Issue Card .....	80
6.1.3 Unlock Door.....	81
6.2 Video Intercom Operation via Client Software .....	81



<b>6.2.1 Receive Call from Door Station.....</b>	<b>82</b>
<b>6.2.2 Live View via Door Station.....</b>	<b>83</b>
<b>6.2.3 View Call Logs .....</b>	<b>83</b>
<b>6.2.4 Search Call Logs .....</b>	<b>84</b>

## Chapter 1 Appearance

### Main Unit

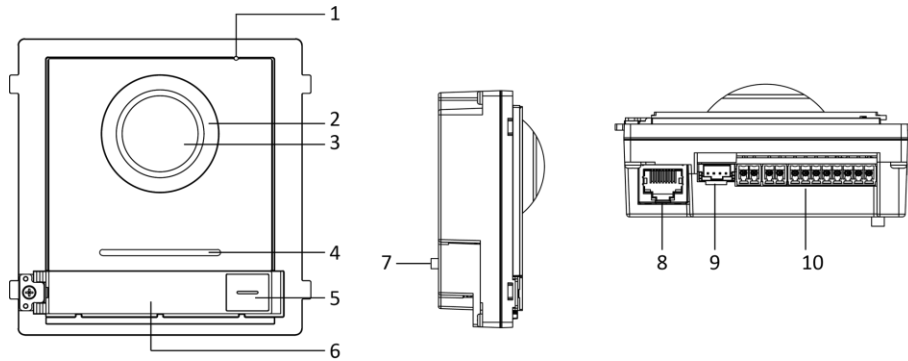


Figure 1-1 Main Unit Appearance

Table 1-1 Appearance Description

No.	Description
1	Microphone
2	Low Illumination IR Supplement Light
3	Built-in Camera
4	Loudspeaker
5	Call Button
6	Nametag
7	TAMPER
8	Network Interface
9	Module-Connecting Interface (output)
10	Terminals

#### Note

- Nametag area supports insert customized name card. The suggested card size is: 58 (L) x 11.7(W) mm.
- The module connecting interface is used to connect other function module, such as nametag module, keypad module, card reader module, etc. All these modules are known as sub module.

## Nametag Module

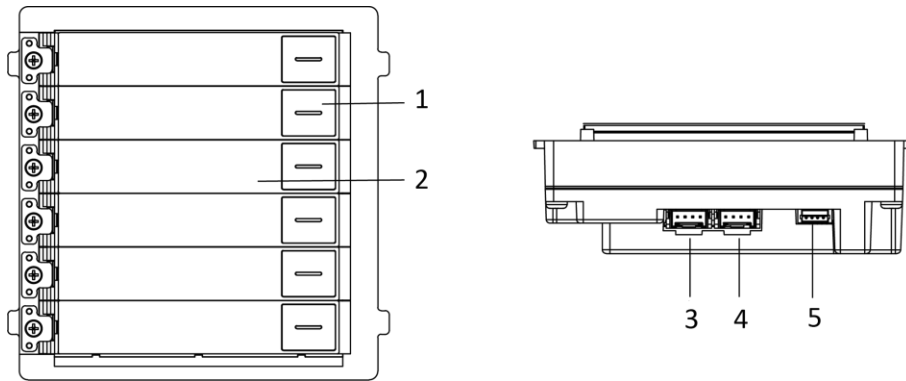


Figure 1-2 Nametag Module Appearance

Table 1-2 Appearance Description

No.	Description
1	Call Button
2	Nametag
3	Module-Connecting Interface (output)
4	Module-Connecting Interface (input)
5	Debugging Port

## Keypad Module

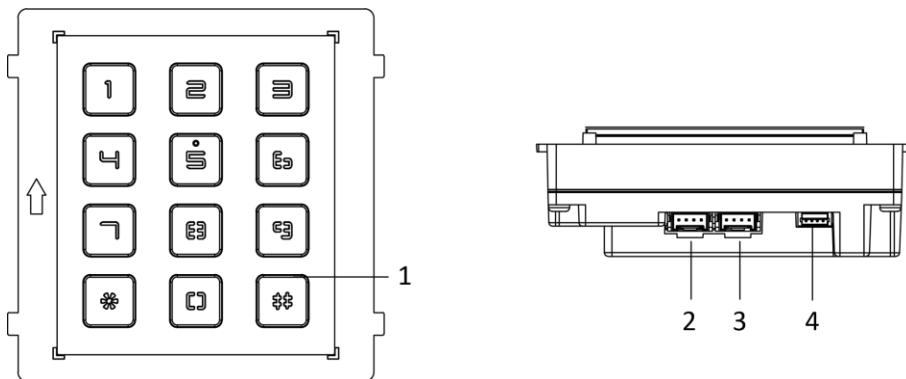


Figure 1-3 Keypad Module Appearance

Table 1-3 Appearance Description

No.	Description
1	Button
2	Module-Connecting Interface (output)

No.	Description
3	Module-Connecting Interface (input)
4	Debugging Port

### Card Reader Module

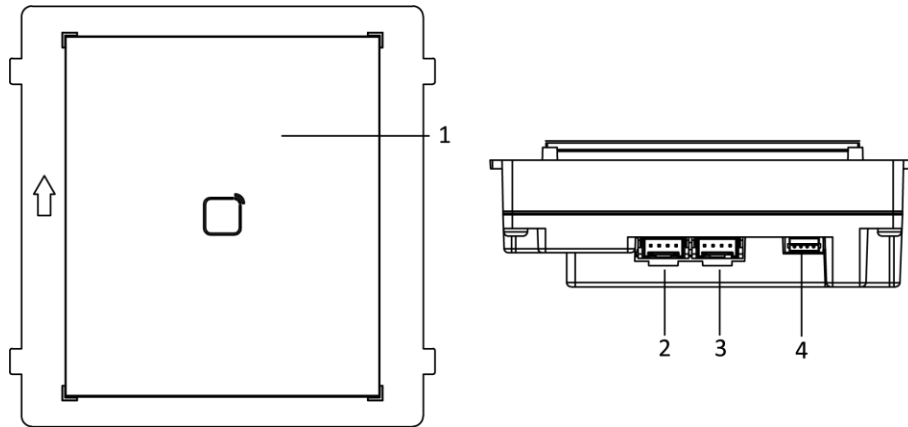


Figure 1-4 Card Reader Module

Table 1-4 Appearance Description

No.	Description
1	Card Reading Area
2	Module-connecting Interface (output)
3	Module-connecting Interface(input)
4	Debugging Port

### Information Module

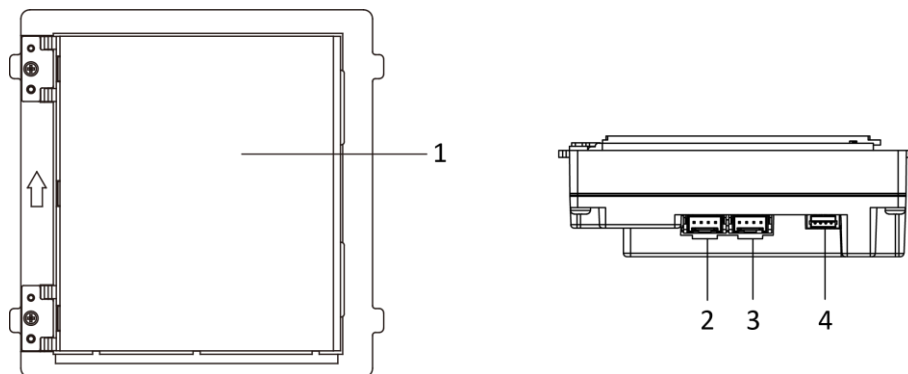


Figure 1-5 Information Module

**Table 1-5 Description**

No.	Description
1	Display Area
2	Module-connecting Interface (output)
3	Module-connecting Interface (input)
4	Debugging Port

---

 **Note**

The debugging port is used for debugging only.

---

## Chapter 2 Terminal and Wiring

### 2.1 Terminal Description

#### Main Unit Terminals

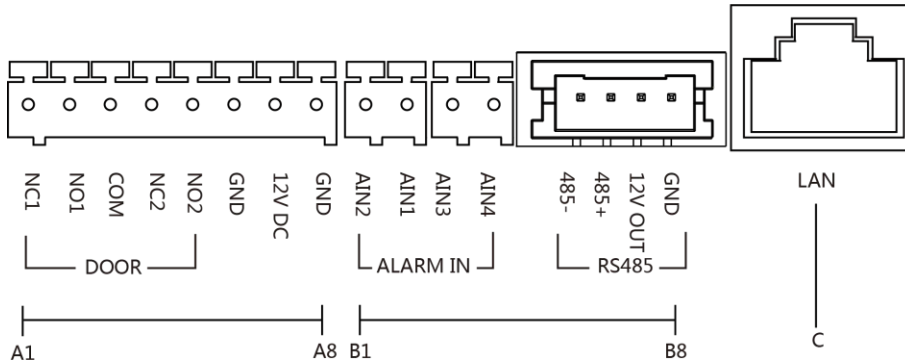


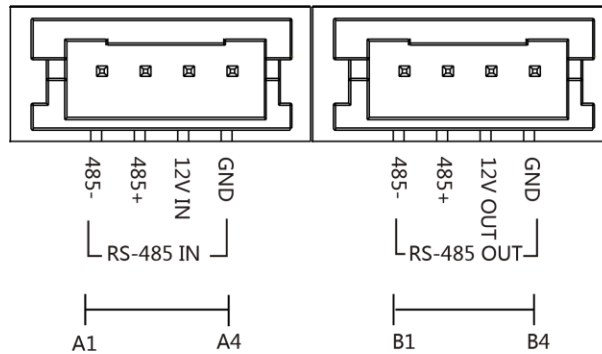
Figure 2-1 Main Unit Terminals

Table 2-1 Descriptions of Terminals and Interfaces

No.	Interface	Description
A1	NC1	Door Lock Relay Output (NC)
A2	NO1	Door Lock Relay Output (NO)
A3	COM	Common Interface
A4	NC2	Door Lock Relay Output (NC)
A5	NO2	Door Lock Relay Output (NO)
A6	GND	Grounding
A7	12 VDC	Power Supply Output
A8	GND	Grounding
B1	AIN2	For the access of Door Magnetic 2
B2	AIN1	For the access of Door Magnetic 1
B3	AIN3	For the access of Exit Button 1
B4	AIN4	For the access of Exit Button 2
B5	485-	Module-connecting Interface
B6	485+	

No.	Interface	Description
B7	12 V OUT	PoE Network Interface(Supports IEEE 802.3af/at-Compliant Devices)
B8	GND	
C	LAN	

**Sub Module Terminal**



**Figure 2-2 Sub Module Terminal**

**Table 2-2 Description**

No.	Interface	Description
A1	485-	Module-Connecting Interface (Input)
A2	485+	
A3	12V IN	
A4	GND	
B1	485-	Module-Connecting Interface (Output)
B2	485+	
B3	12V OUT	
B4	GND	

## 2.2 Module Door Station Wiring

### 2.2.1 Door Lock Wiring

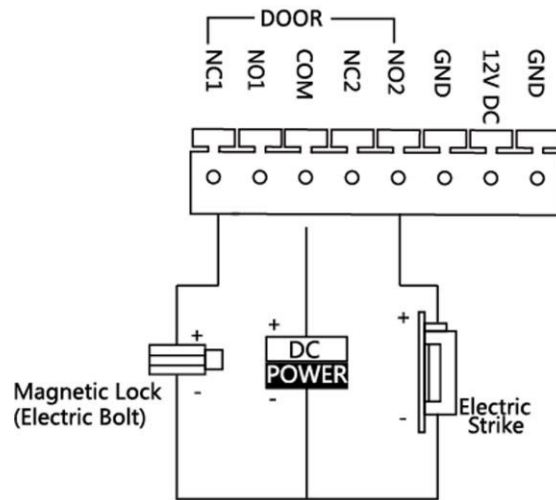


Figure 2-3 Door Lock Wiring

---

**Note**

Terminal NC1/COM is set as default for accessing magnetic lock/electric bolt; terminal NO2/COM is set as default for accessing electric strike.

---



## 2.2.2 Door Contact Wiring

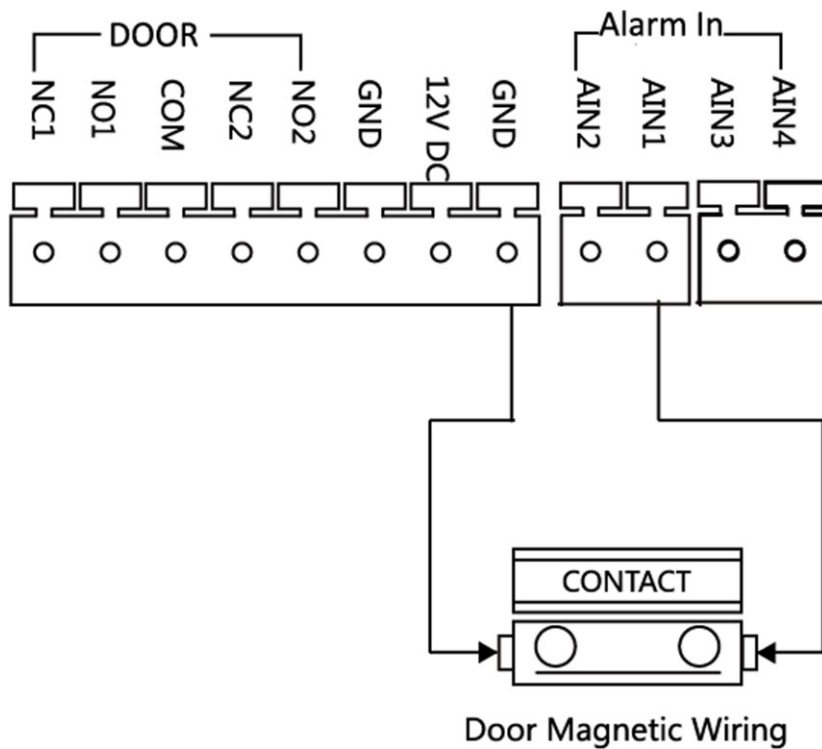


Figure 2-4 Door Contact Wiring

---

**Note**

AIN1 and AIN2 are defaulted to connect door contact. Door contact connected to AIN1 detects status of the lock that connected to NC1/NO1; Door contact connected to AIN2 detects the status of the lock connected to NC2/NO2.

---

### 2.2.3 Exit Button Wiring

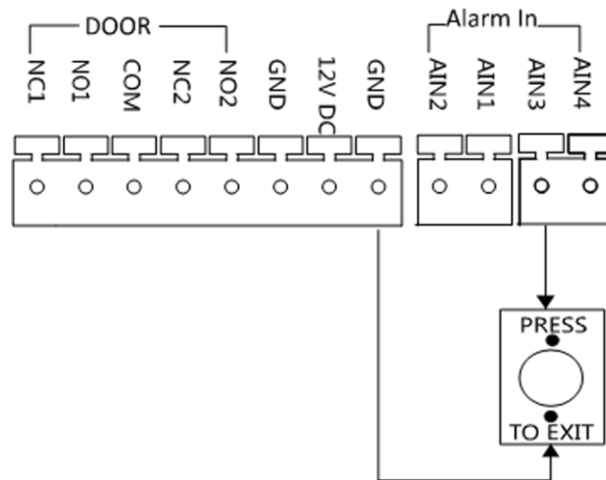


Figure 2-5 Exit Button Wiring

**Note**

AIN3 and AIN4 are set as default for connecting exit button. Exit button connected to AIN3 opens the lock connected to NC1/NO1; Exit button connected to AIN4 controls the lock that connected to NC2/NO2.

### 2.2.4 RS-485 Card Reader Wiring

To connect RS-485 card reader, refer to the picture below.

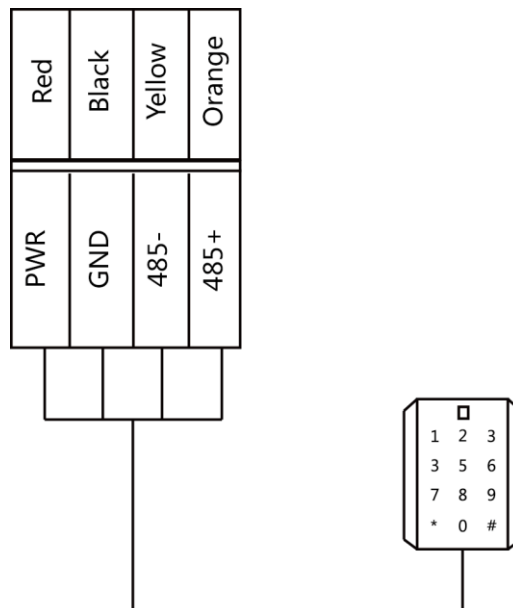


Figure 2-6 RS-485 Card Reader Wiring

## Chapter 3 Installation

---

### Note

- Make sure the device in the package is in good condition and all the assembly parts are included.
  - Sub module must work along with the main unit.
  - Set the sub module address before start the installation steps.
  - Make sure the place for surface mounting is flat.
  - Make sure all the related equipment is power-off during the installation.
  - Tools that you need to prepare for installation:  
Drill ( $\varnothing 6$ ), cross screwdriver (PH1\*150 mm), and gradienter.
- 

### 3.1 Configure Sub Module Address

You need to set the sub module address via DIP switch before installation.

#### Steps

1. Remove the rubber cover on the rear panel of the sub module to expose the DIP switch.

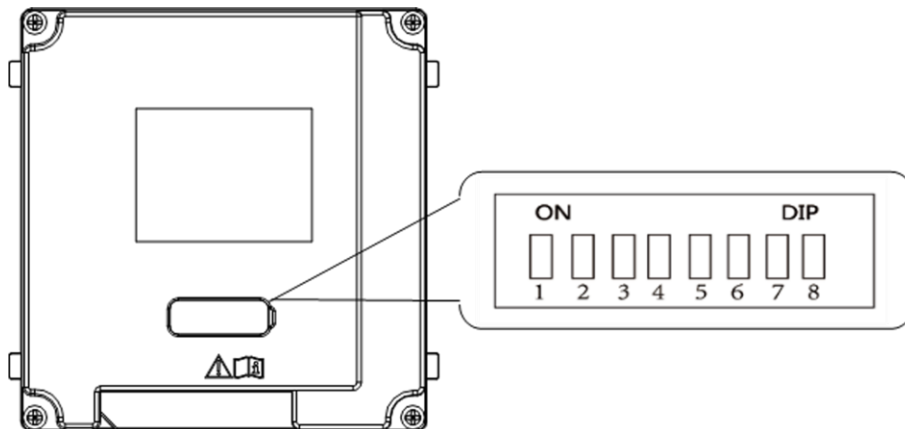


Figure 3-1 DIP Switch

2. Set the sub module address according to the DIP rules, and install the rubber cover back.
- 

### Note

- Bit 1, 2, 3, 4 are used to coding the sub module address. Bit 5, 6, 7 are reserved. Set Bit 8 as on to enable a resistance (120 $\Omega$ ).
- Valid sub module address is from 1 to 8. The address should be unique for connecting to the main unit.

The sub module address and its corresponding switch status are displayed as below.

Table 3-1 Description

Sub Module Address	1	2	3	4	5	6	7	8
Bit 1	ON	OFF	ON	OFF	ON	OFF	ON	OFF
Bit 2	OFF	ON	ON	OFF	OFF	ON	ON	OFF
Bit 3	OFF	OFF	OFF	ON	ON	ON	ON	OFF
Bit 4	OFF	OFF	OFF	OFF	OFF	OFF	OFF	ON

## 3.2 One-Module Installation

### 3.2.1 One-Module Surface Mounting

#### Before You Start

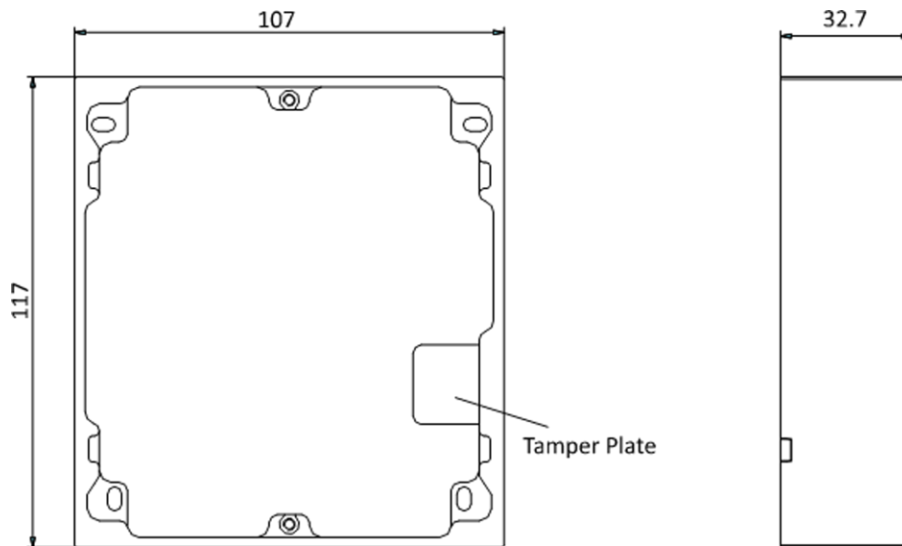


Figure 3-2 Mounting Frame

#### Note

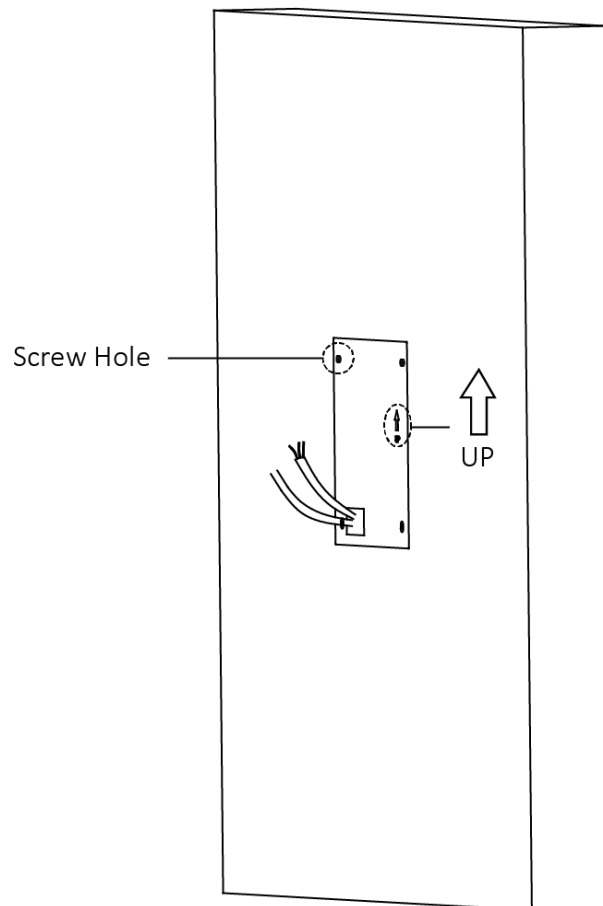
- The dimension of one module mounting frame (W × H × D) is: 117 mm × 107 mm × 32.7 mm.
- The dimensions above are for reference only. The actual size can be slightly different from the theoretical dimension.

### Steps

1. Paste the installation Sticker 1 onto the wall. Make sure the sticker is placed horizontally via measuring with the gradienter.
  2. Drill 4 holes according to the screw holes on the sticker.
- 

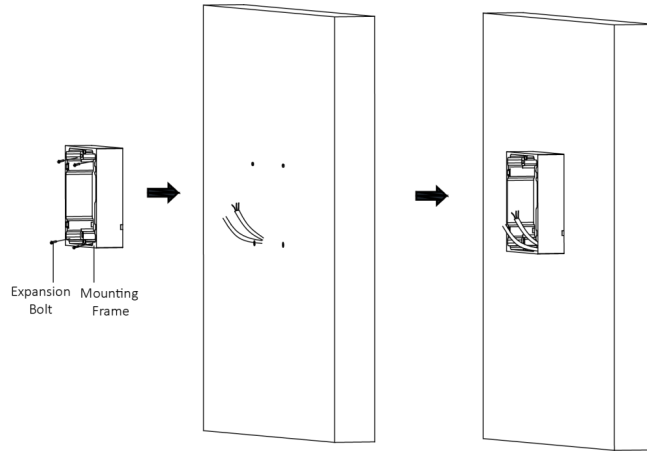
### Note

- The suggested size of hole is 6 (diameter) × 25 (depth) mm.
  - The suggested length of cables left outside is 100 mm.
- 

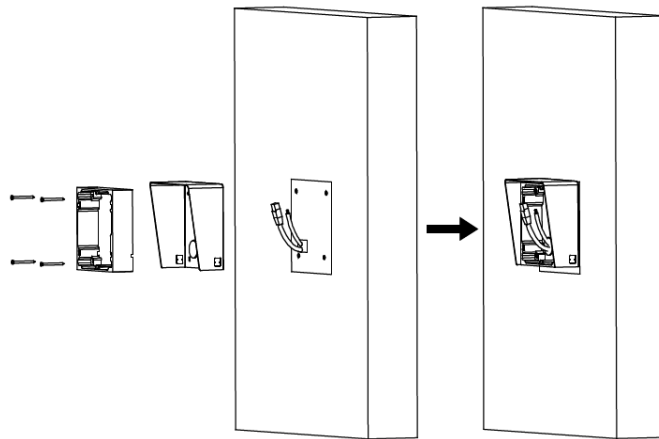


**Figure 3-3 Drill Screw Holes**

3. Remove the sticker and insert the expansion sleeves into the screw holes.
4. *(Optional – for protective shield only)* Fix the protective shield and the mounting frame onto the wall with 4 expansion bolts (see Figure 3-4b).
5. Fix the mounting frame onto the wall with 4 expansion bolts.

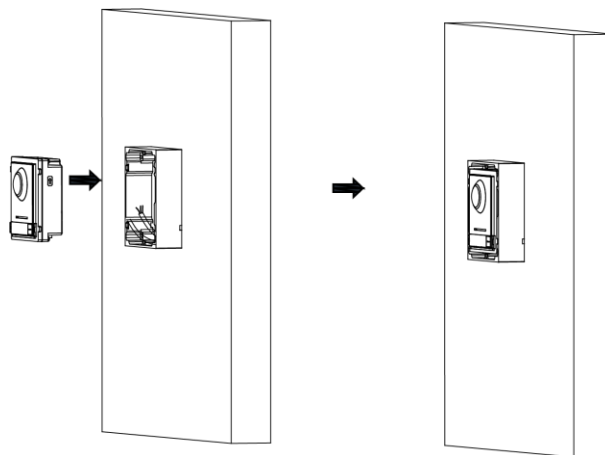


**Figure 3-4a Fix the Mounting Frame  
(without Protective Shield)**

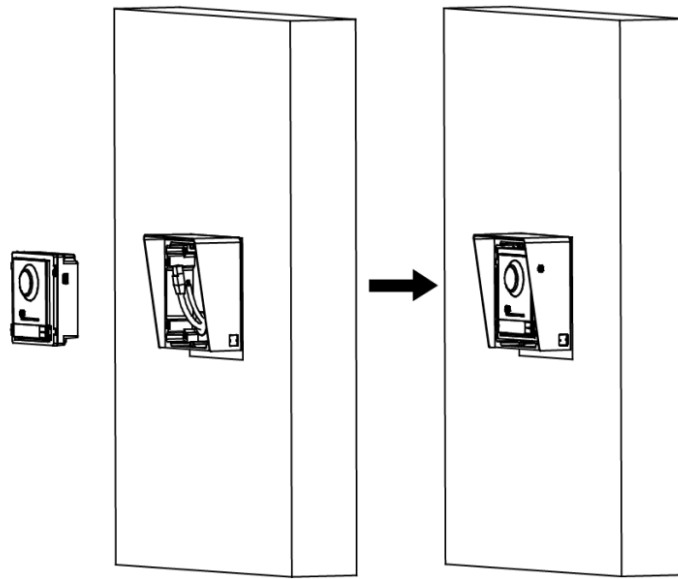


**Figure 3-4b Fix the Mounting Frame  
(with Protective Shield)**

6. Connect the cables to the corresponding interfaces of the main unit and insert the main unit into the frame.

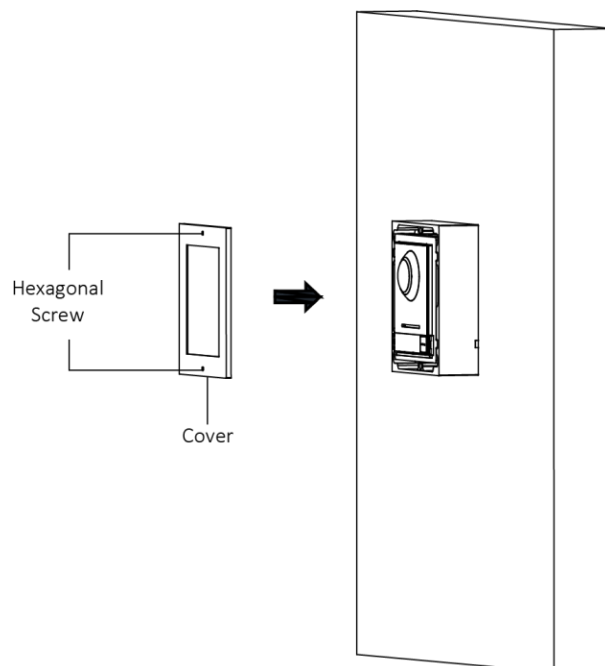


**Figure 3-5a Insert the Main Unit (without Protective Shield)**



**Figure 3-5b Insert the Main Unit (with Protective Shield)**

7. Fix the cover onto the frame.



**Figure 3-6a Fix the Cover (without Protective Shield)**

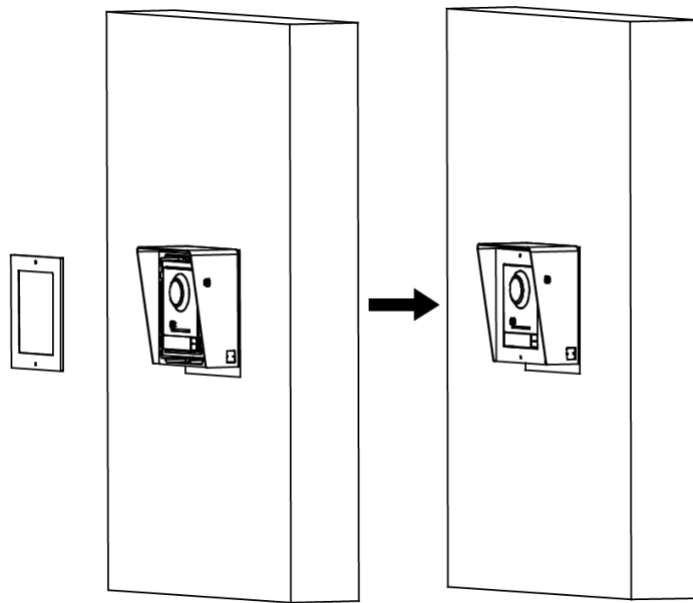


Figure 3-6b Fix the Cover (with Protective Shield)

### 3.2.2 One-Module Flush Mounting

#### Before You Start

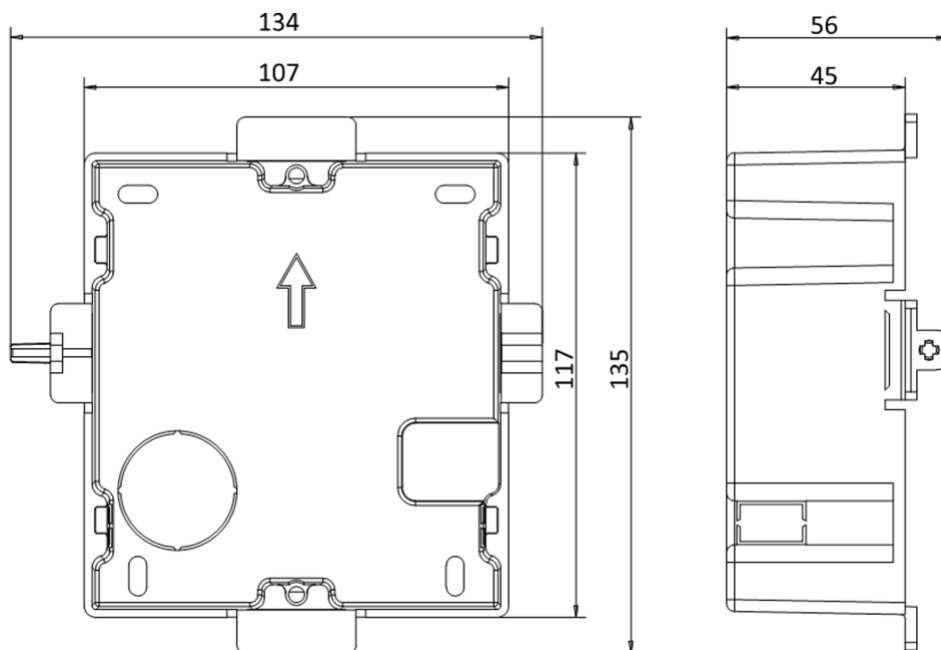
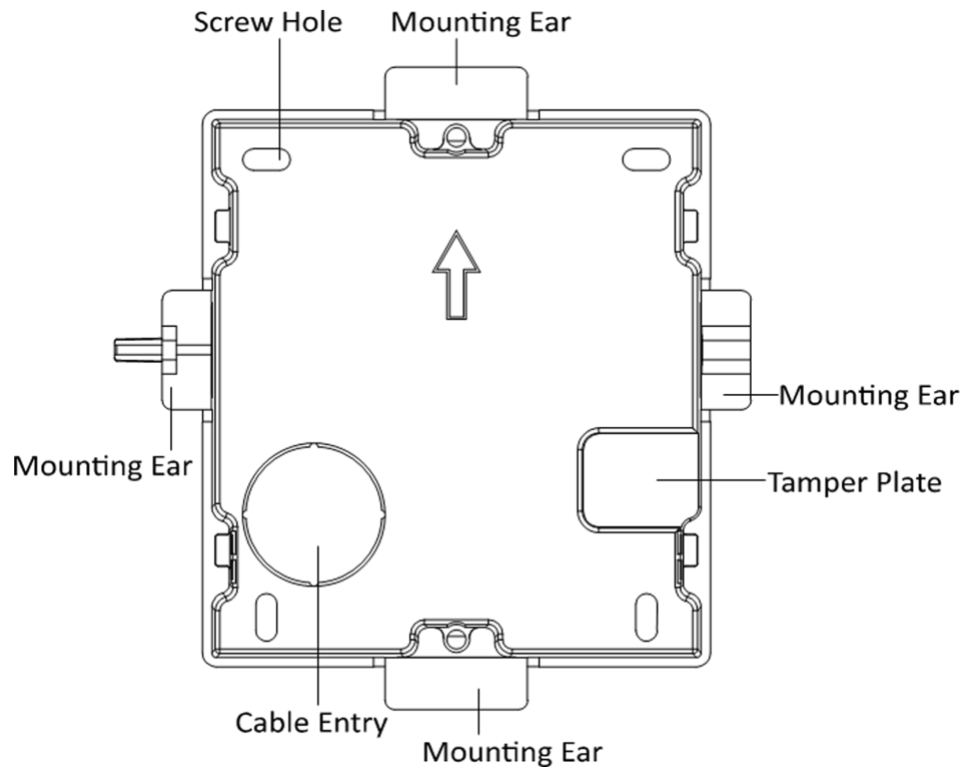


Figure 3-7 Front and Side View of the Gang Box





**Figure 3-8 Gang Box**

---

**Note**

The dimension of one-module gang box is: 115 (W) × 134 (H) × 56 (D) mm. The dimension is for reference only.

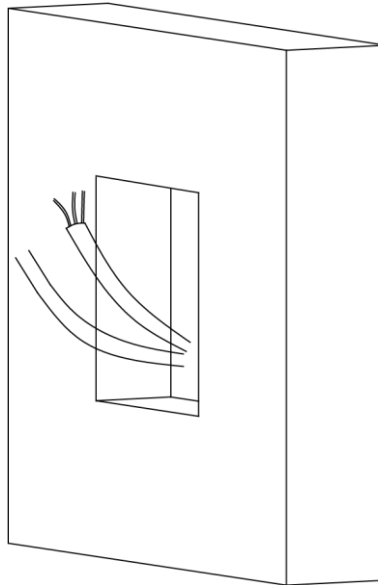
---

**Steps**

1. Drill an installation hole, and pull the cables out.
- 

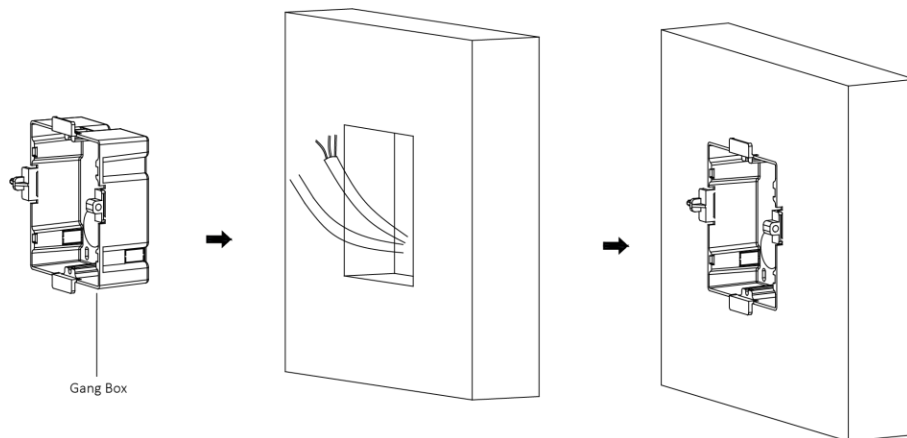
**Note**

- The suggested dimension of installation hole is 118 (W) × 108 (H) × 45.5 (D) mm.
  - The suggested length of cables left outside is 100 mm.
-



**Figure 3-9 Drill Installation Hole**

2. Remove the plastic sheet of the cable entry.
3. Mark the gang box screw holes on the wall.
  - 1) Route the cables through the gang box hole.
  - 2) Insert the gang box into the installation hole.
  - 3) Mark the gang box screw holes' position with a marker, and take out the gang box.



**Figure 3-10 Mark the Screw Holes**

4. Drill 4 holes according to marks on the wall, and insert the expansion sleeves into the screw holes.

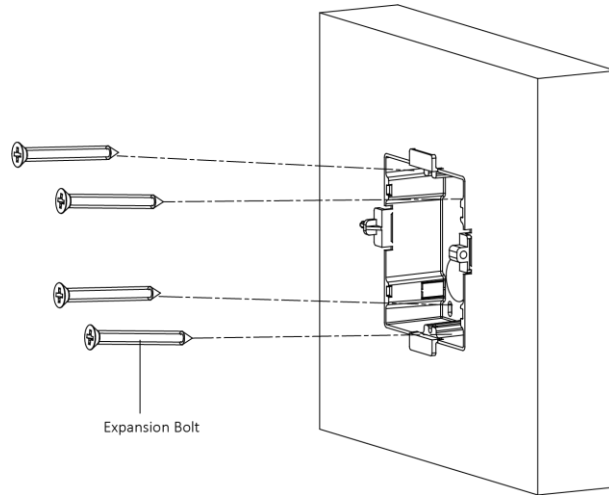
---

**Note**

The suggested size of the hole is 6 (diameter) × 45 (depth) mm.

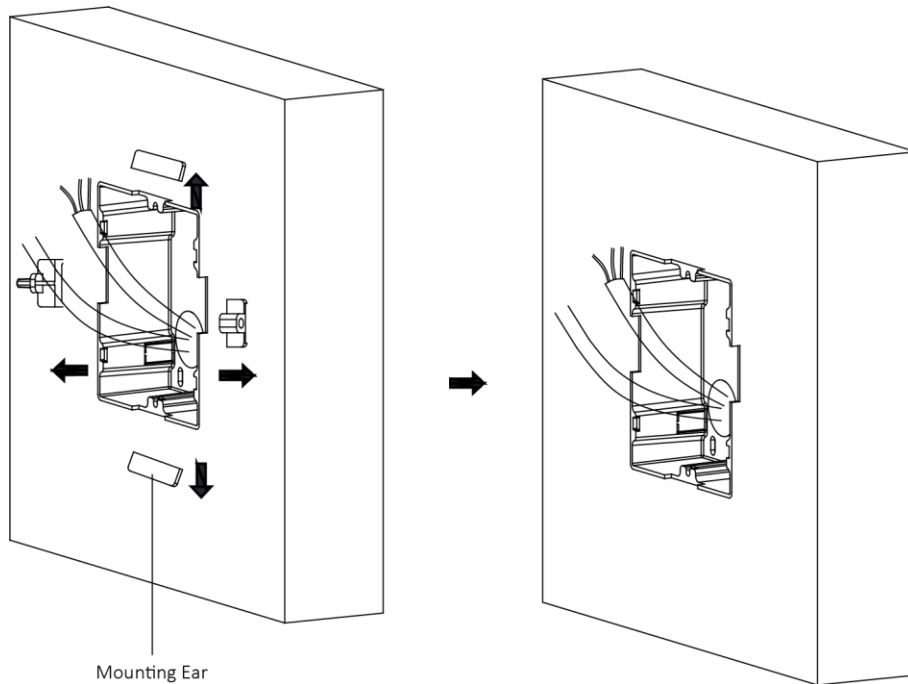
---

5. Route the cables through the gang box hole. Insert the gang box into the installation hole. Fix the gang box with 4 expansion bolts.



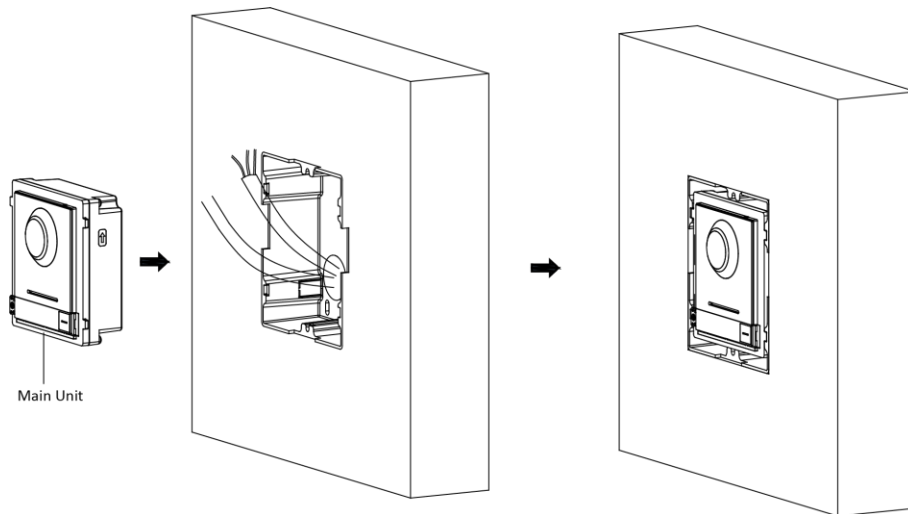
**Figure 3-11 Fix the Gang Box**

6. Fill the gap between the gang box and the wall with concrete. Remove the 4 mounting ears with tool after concrete is dry.



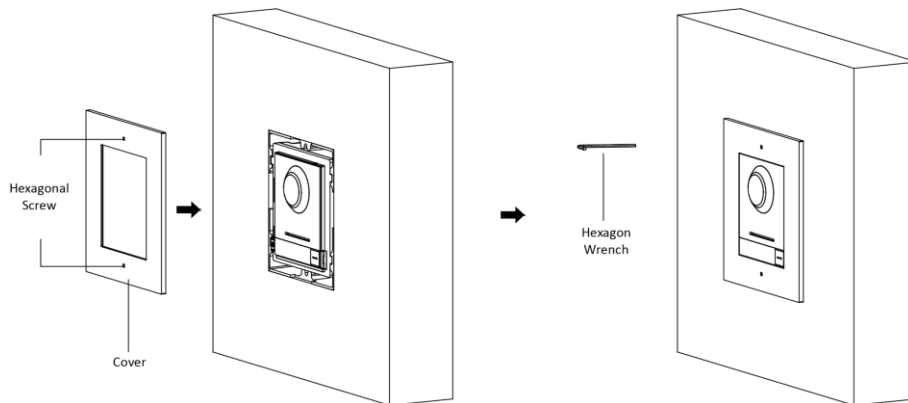
**Figure 3-12 Remove the Mounting Ears**

7. Connect the cables to the corresponding interfaces of the main unit and insert the unit into the gang box.



**Figure 3-13 Insert the Main Unit**

8. Fix the cover and the main unit with 2 socket head cap screws by using a hexagon wrench (supplied).



**Figure 3-14 Fix the Cover**

## 3.3 Two-Module Installation

### 3.3.1 Two-Module Surface Mounting

#### Before You Start

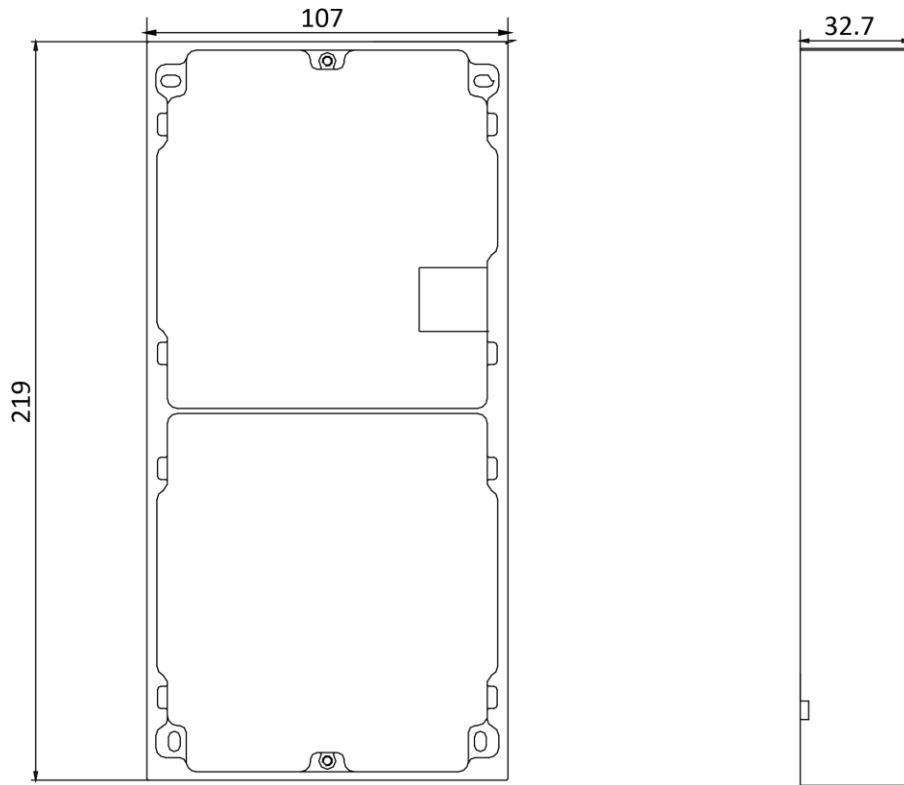


Figure 3-15 Mounting Frame

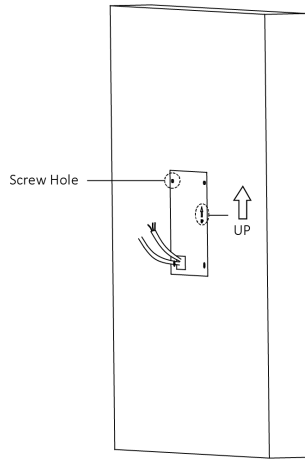
---

#### Note

- The dimension of two-module mounting frame (W × H × D) is: 219 mm × 107 mm × 32.7 mm.
  - The dimensions above are for reference only. The actual size can be slightly different from the theoretical dimension.
- 

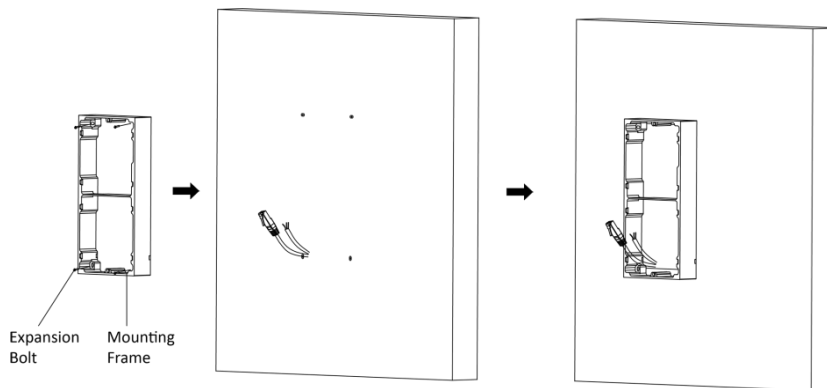
#### Steps

1. Paste the installation Sticker 1 onto the wall. Make sure the sticker is placed horizontally via measuring with the gradienter.
2. Drill 4 holes according to the screw holes on the sticker. The suggested size of hole is 6 (diameter) × 25 (depth) mm. The suggested length of cables left outside is 270 mm.



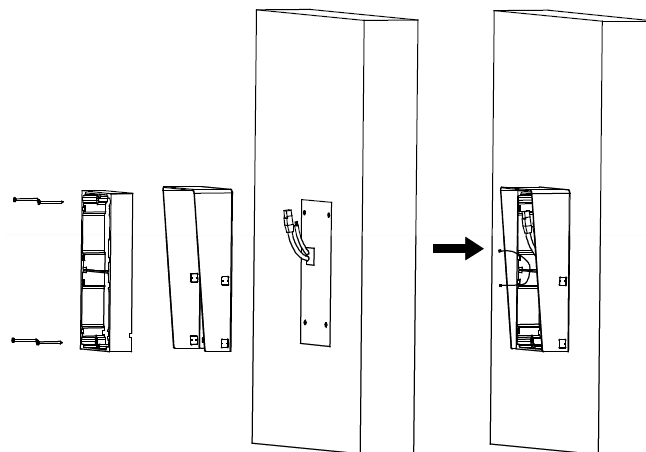
**Figure 3-16 Drill Screw Holes**

3. Remove the sticker and insert the expansion sleeves into the screw holes.
4. *(Optional – for protective shield only)* Fix the protective shield and the mounting frame onto the wall with 4 expansion bolts (see Figure 3-17b).
5. Fix the mounting frame onto the wall with 4 expansion bolts.

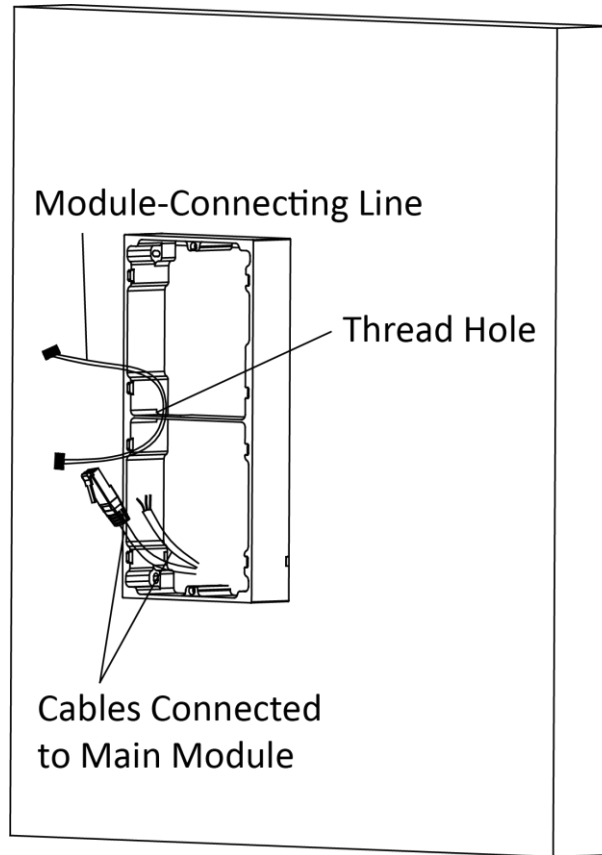


**Figure 3-17a Fix the Mounting Frame (without Protective Shield)**

6. Thread the module-connecting line across the thread hole of the frame. Pass the main unit connecting lines across the thread hole to the upper grid.



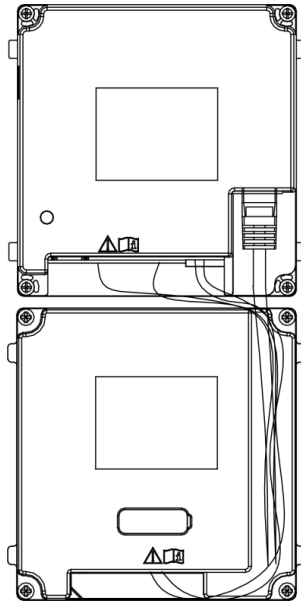
**Figure 3-17b Fix the Mounting Frame (with Protective Shield)**



**Figure 3-18 Placement of Lines**

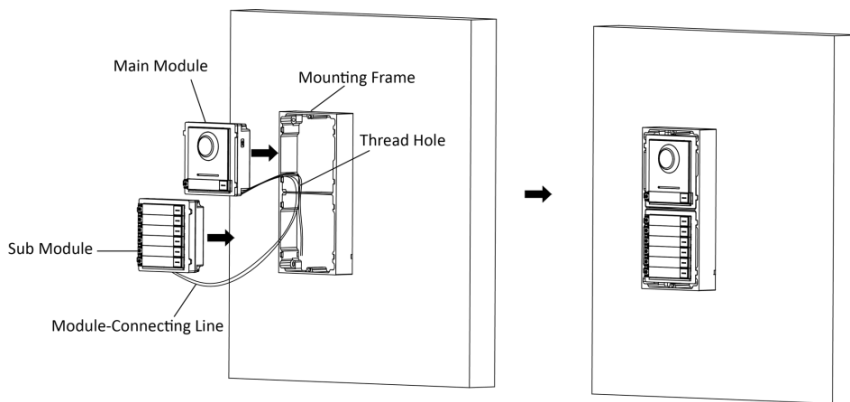
7. Connect the cables.

- 1) Connect the lines and module-connecting line to the corresponding interfaces of the main unit, then place the main unit into the upper grid.
- 2) Connect the other end of the module-connecting line to the input interface of the sub module.
- 3) Organize the cable with cable tie in the package. The suggested cable connection picture as shown below.



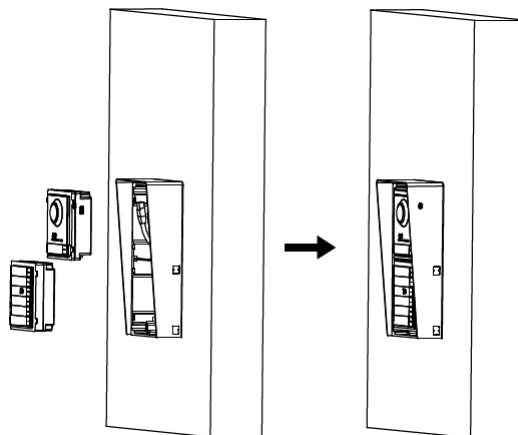
**Figure 3-19 Line Connection Effect Picture**

8. Insert the modules into the frame after wiring. The main unit must be placed in the top grid.



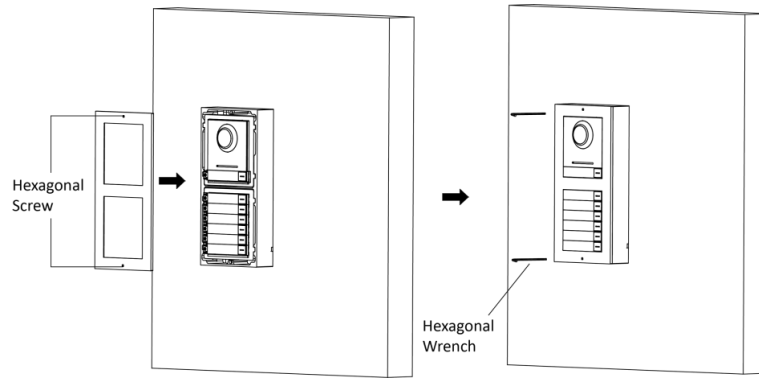
**Figure 3-20a Insert the Modules into the Frame  
(without Protective Shield)**

9. Use the hexagon wrench in the package to fix the cover onto the frame.

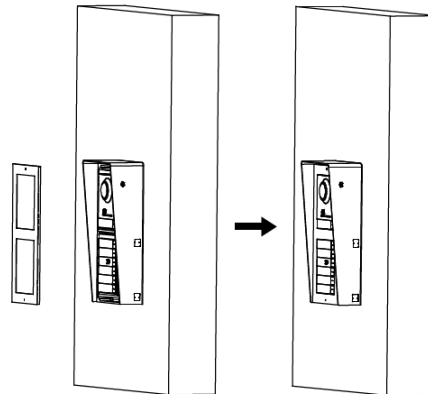


**Figure 3-20a Insert the Modules into the Frame  
(with Protective Shield)**





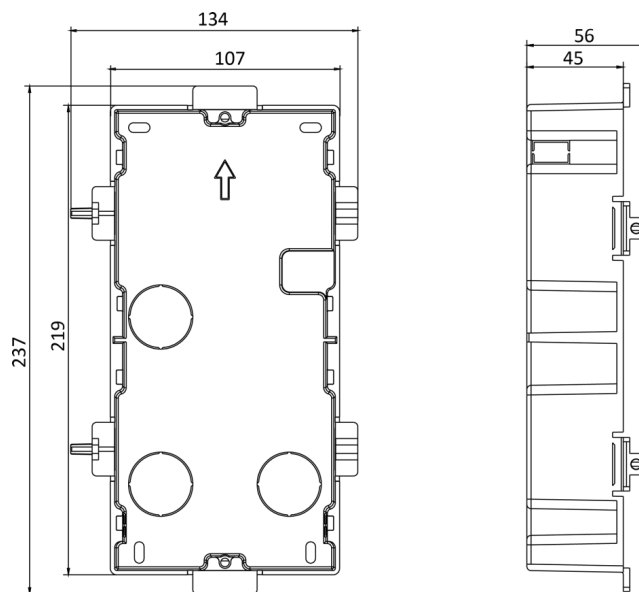
**Figure 3-21a Fix the Cover  
(without Protective Shield)**



**Figure 3-21b Fix the Cover  
(with Protective Shield)**

### 3.3.2 Two-Module Flush Mounting

#### Before You Start



**Figure 3-22 Gang Box**

### Note

The dimension of two-module gang box is: 237 (W) × 134 (H) × 56 (D) mm. The dimension is for reference only.

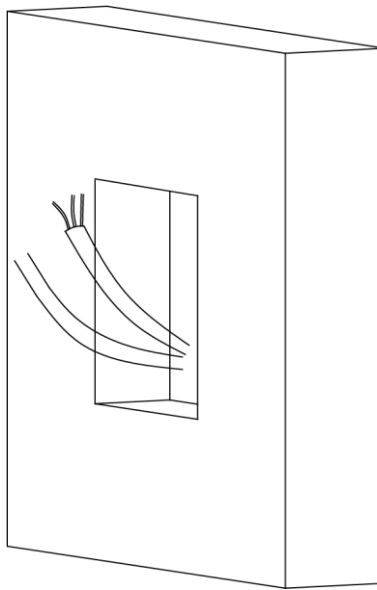
---

### Steps

1. Drill the installation hole, and pull the cable out.
- 

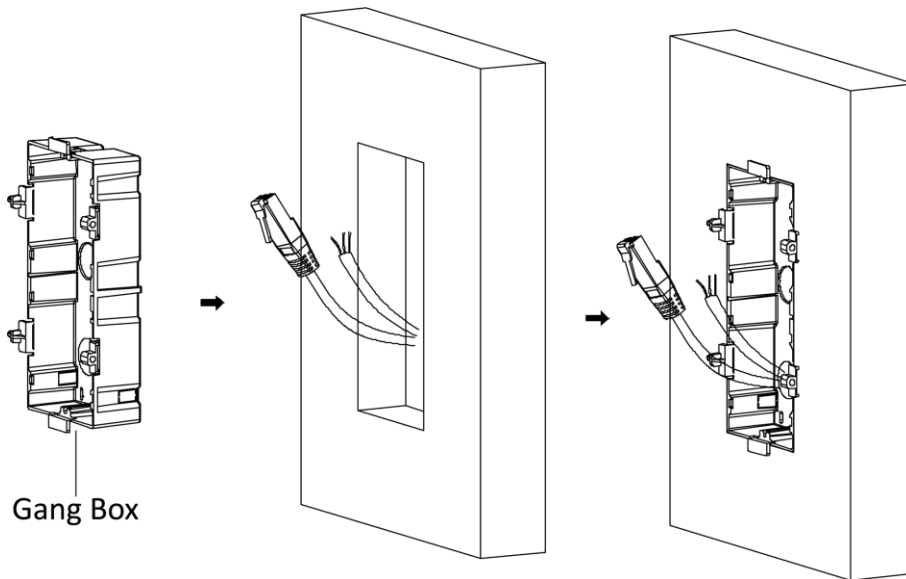
### Note

- The suggested dimension of installation hole is 220 (W) × 108 (H) × 45.5 (D) mm.
  - The suggested length of cables left outside is 270 mm.
- 



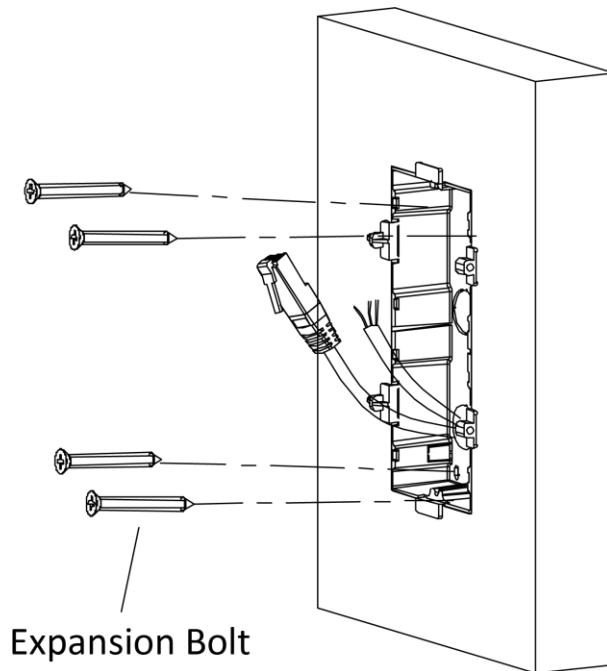
**Figure 3-23 Drill the Installation Hole**

2. Select a cable entry and remove the plastic sheet.
3. Mark the gang box screw holes on the hole.
  - 1) Route the cables through the gang box hole.
  - 2) Insert the gang box into the installation hole.
  - 3) Mark the gang box screw holes' position with a marker, and take out the gang box.



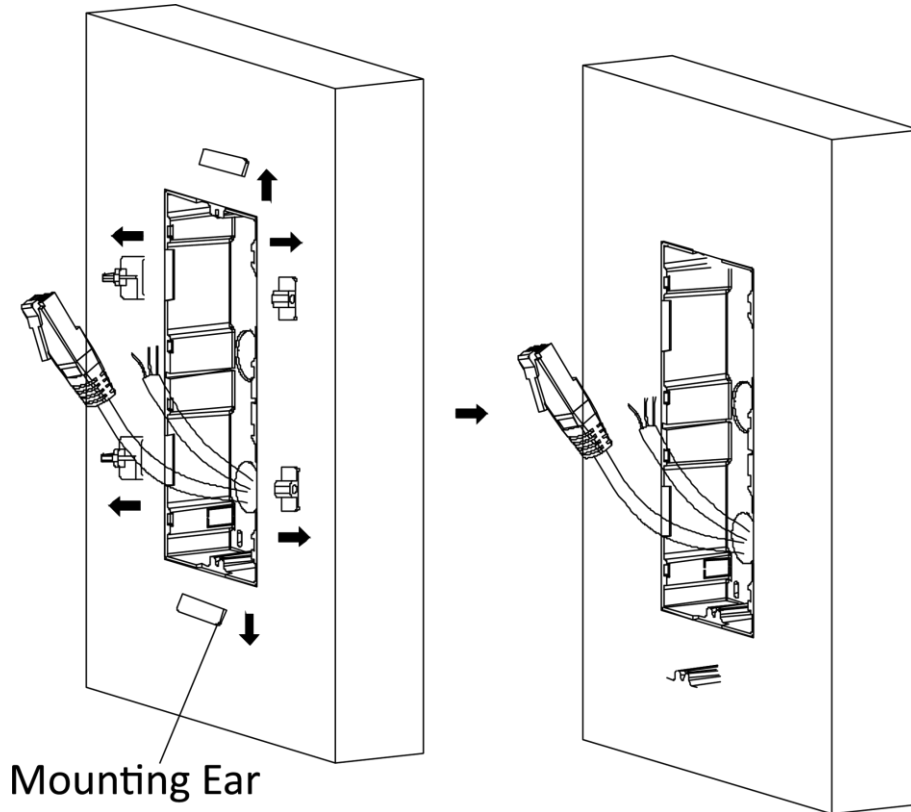
**Figure 3-24 Mark the Screw Holes**

4. Drill 4 holes according to the marks on the wall, and insert the expansion sleeves into the screw holes. The suggested size of hole is 6 (diameter) × 45 (depth) mm.
5. Fix the gang box with 4 expansion bolts.



**Figure 3-25 Fix the Gang Box**

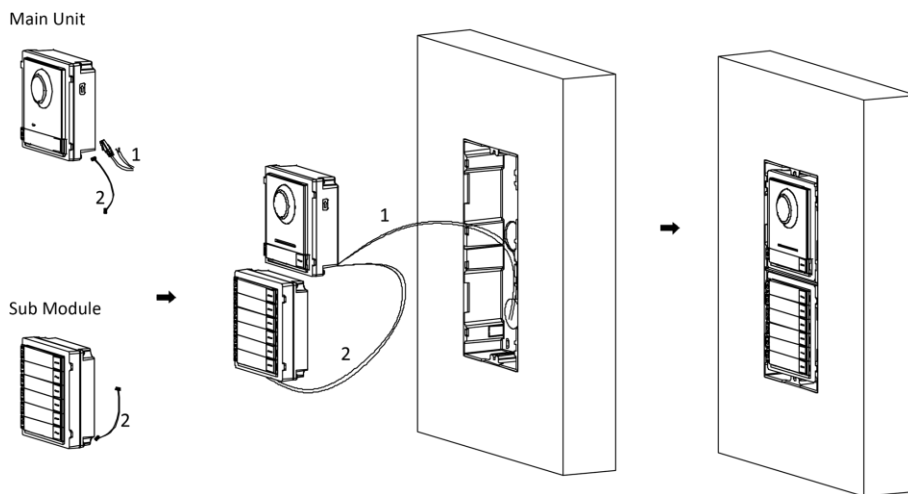
6. Fill the gap between the gang box and the wall with concrete. Remove the mounting ears with tool after concrete is dry.



**Figure 3-26 Remove the Mounting Ears**

7. Connect cables and insert the modules.

- 1) Connect Cable 1 and one end of Cable 2 to the corresponding interfaces of the main unit, then insert the main unit into the upper grid.
- 2) Connect the other end of Cable 2 to the input interface of the sub module. Insert it into the lower grid.

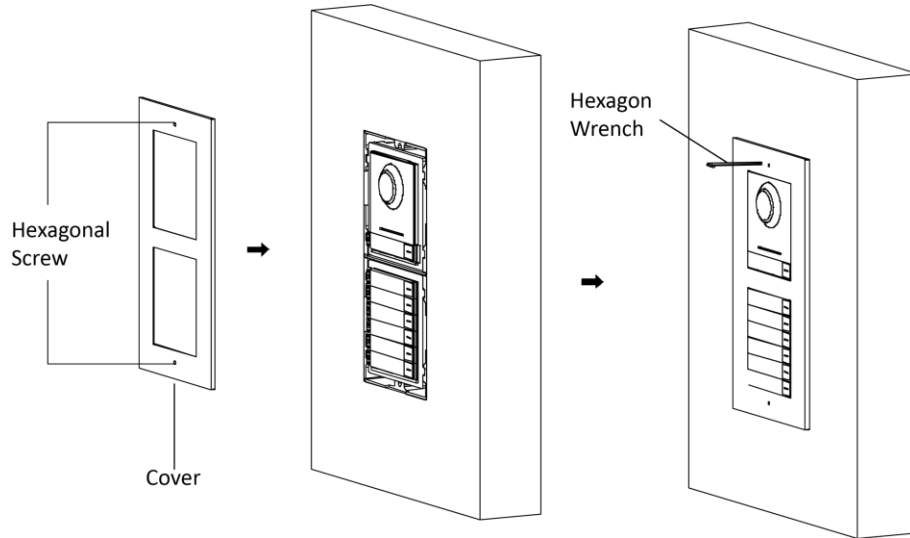


**Figure 3-27 Connect Cables and Insert the Modules**

**Note**

Cable 1 refers to the cables pulled out from the wall that connected to the main unit. Cable 2 refers to the module-connecting line in the accessory package.

8. Fix the cover with 2 socket head cap screws by using a hexagon wrench (supplied).



**Figure 3-28 Fix the Cover**

## 3.4 Three-Module Installation

### 3.4.1 Three-Module Surface Installation

#### Before You Start

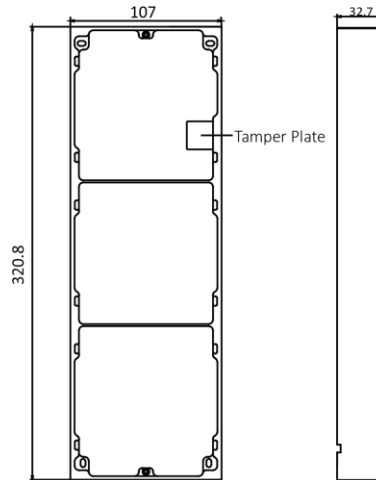


Figure 3-29 Mounting Frame

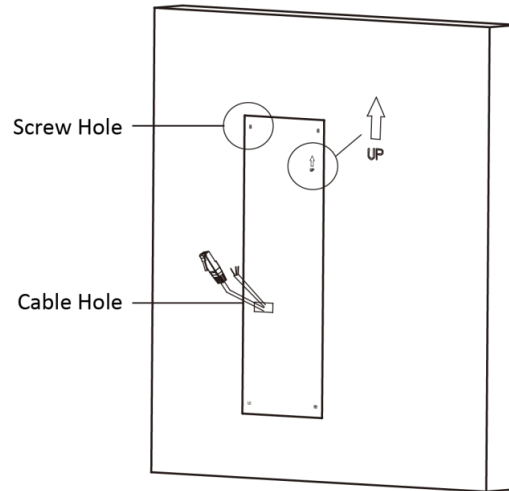
---

#### Note

- The dimension of two-module mounting frame (W × H × D) is: 320.8 mm × 107 mm × 32.7 mm.
  - The dimensions above are for reference only. The actual size can be slightly different from the theoretical dimension.
- 

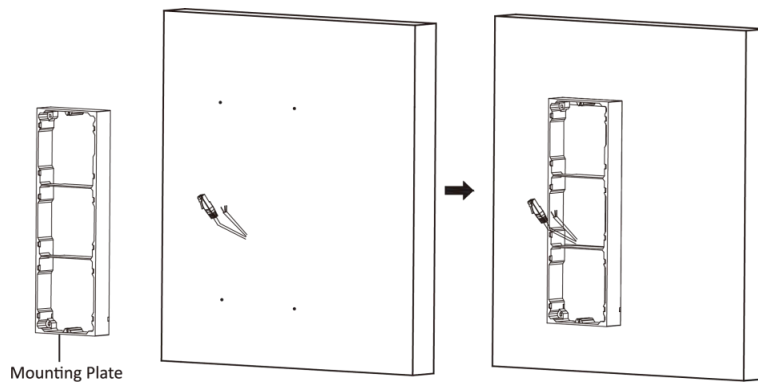
#### Steps

1. Paste the installation sticker 1 onto the wall. Make sure the sticker is placed horizontally via measuring with the gradienter.
2. Drill 4 holes according to the screw holes on the sticker. The suggested size of hole is 6 (diameter) × 25 (depth) mm. The suggested length of cables left outside is 270 mm.

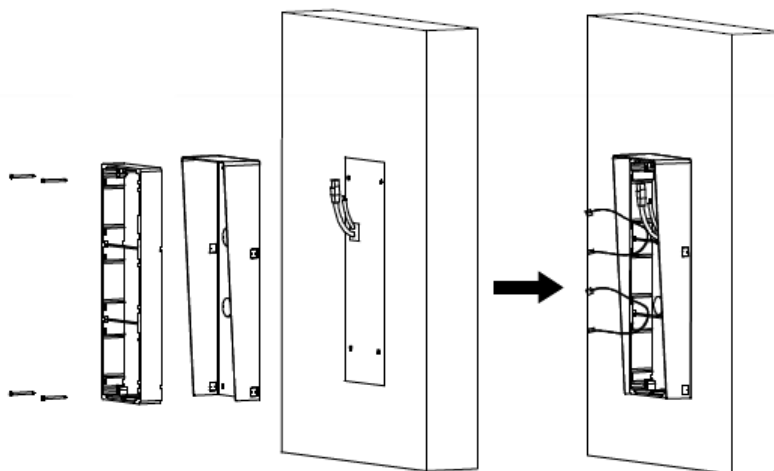


**Figure 3-30 Drill Screw Holes**

3. Remove the sticker and insert the expansion sleeves into the screw holes.
4. *(Optional – for protective shield only)* Fix the protective shield and the mounting frame onto the wall with 4 expansion bolts (see Figure 3-31b).
5. Fix the mounting frame onto the wall with 4 expansion bolts.



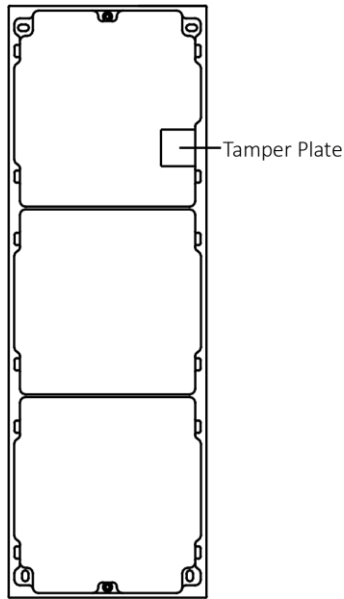
**Figure 3-31a Fix the Mounting Frame  
(without Protective Shield)**



**Figure 3-31b Fix the Mounting Frame (with Protective Shield)**

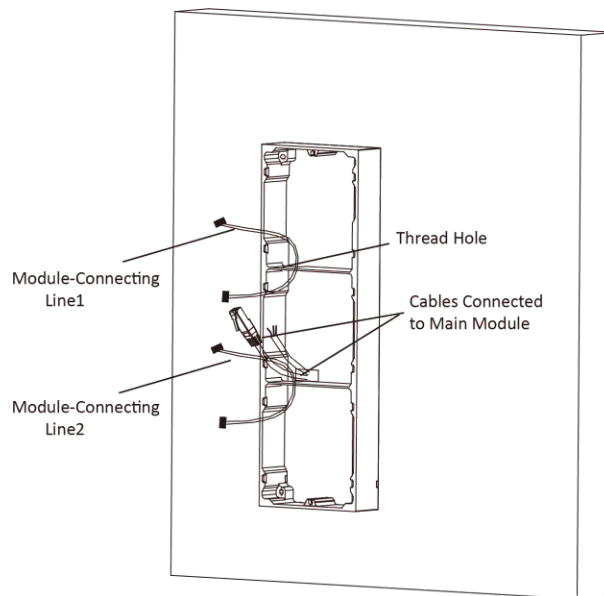
**Note**

The mounting frame should be placed exactly as shown below for this step. The tamper plate should be at the low right of the first grid.



**Figure 3-32 Mounting Frame**

6. Thread the module-connecting line across the thread holes of the frame. Pass the main unit connecting line across the thread hole to the top grid.

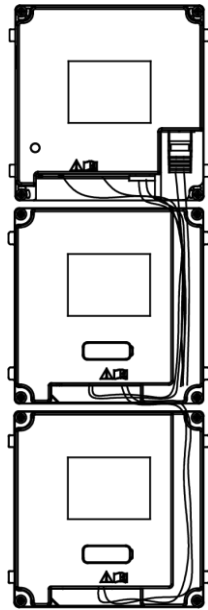


**Figure 3-33 Placement of Lines**

7. Connect the cables.

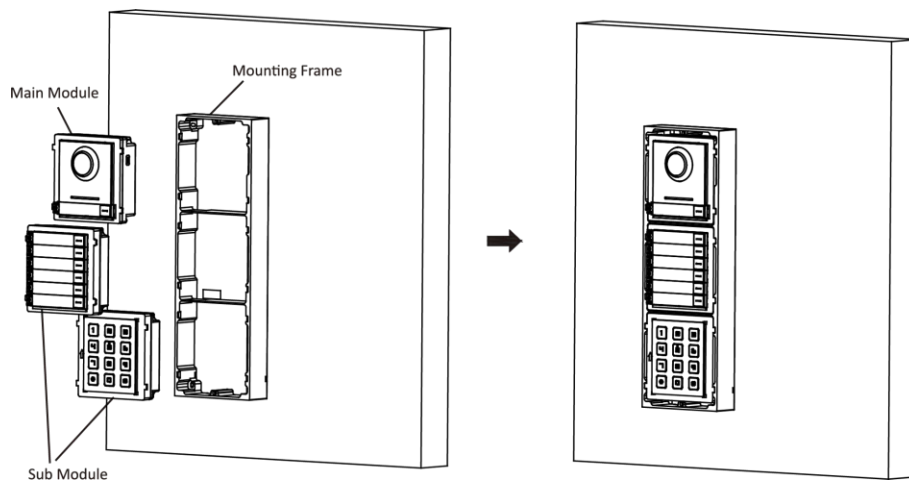


- 1) Connect the lines and module-connecting line 1 to the corresponding interfaces of the main unit, then place the main unit into the upper grid.
- 2) Connect the other end of the module-connecting line 1 to the input interface of the sub module. Connect two sub modules via module-connecting line 2.
- 3) Organize the cables with cable tie in the package. The suggested cable connection picture as shown below.

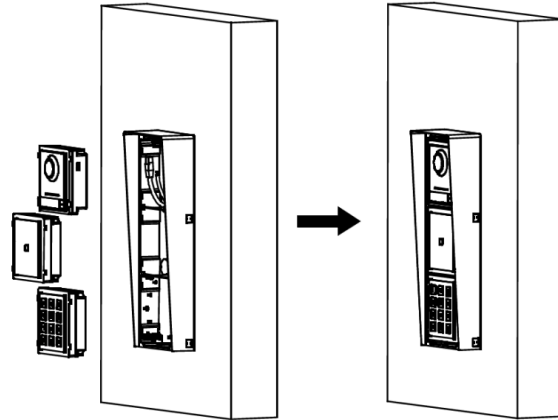


**Figure 3-34 Line Connection Effect Picture**

8. Insert the modules into the frame after wiring. The main unit must be placed in the top grid.

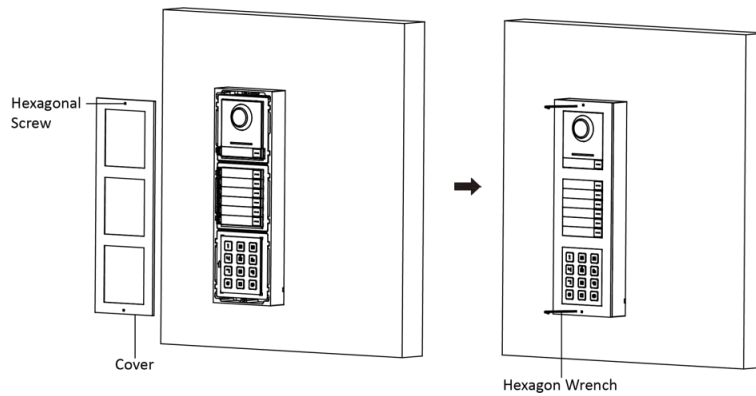


**Figure 3-35a Insert the Modules into the Frame  
(without Protective Shield)**

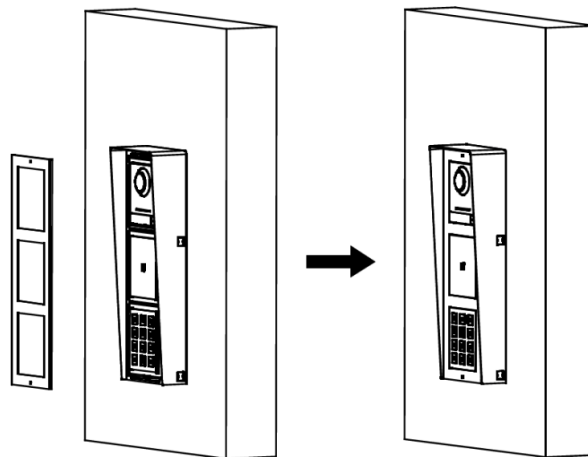


**Figure 3-35b Insert the Modules into the Frame  
(with Protective Shield)**

9. Use the hexagon wrench in the package to fix the cover onto the frame.



**Figure 3-36a Fix the Cover  
(without Protective Shield)**



**Figure 3-36b Fix the Cover  
(with Protective Shield)**

### 3.4.2 Three-Module Flush Mounting

#### Before You Start

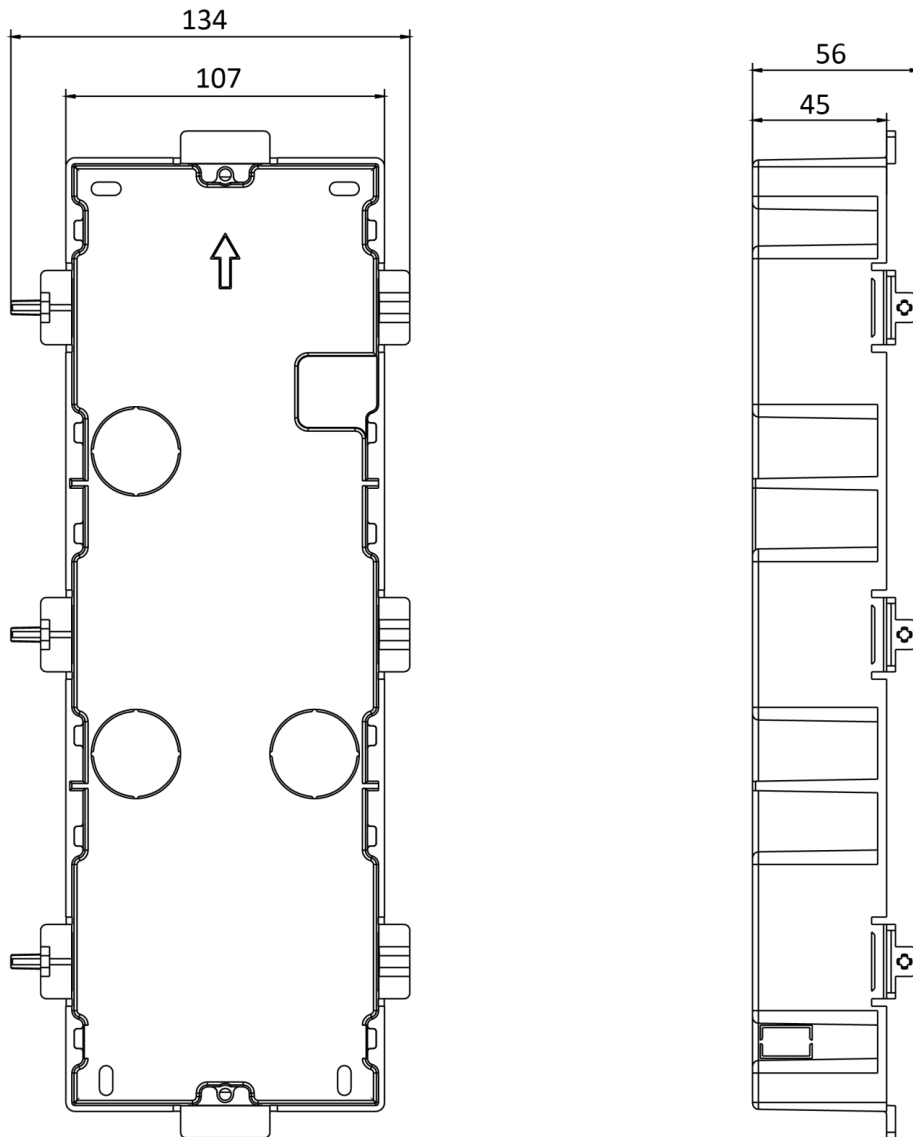


Figure 3-37 Gang Box

---

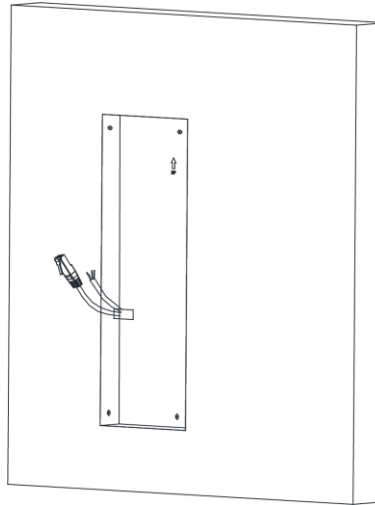
**Note**

The dimension of one-module gang box is: 338.8(W)×134(H)×56(D) mm. The dimensions above are for reference only. The actual size can be slightly different from the theoretical dimension.

---

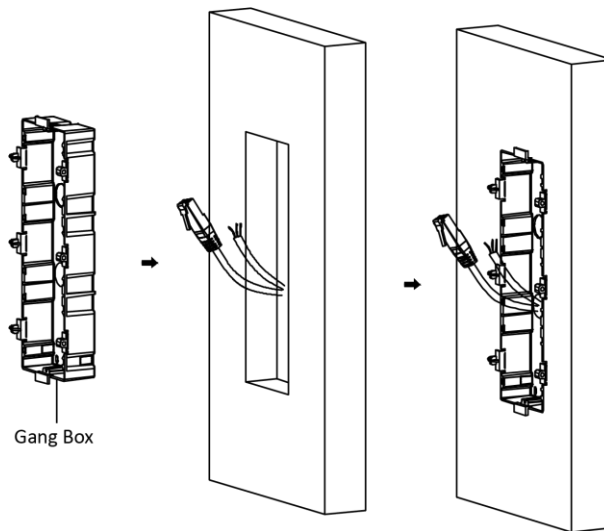
#### Steps

1. Cave the installation hole, and pull the cable out. The suggested dimension of installation hole is 321.8(W)×108(H)×45.5(D) mm. The suggested length of cables left outside is 270 mm.



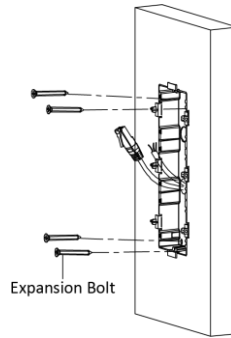
**Figure 3-38 Cave the Installation Hole**

2. Select a cable entry and remove the plastic sheet.
3. Mark the gang box screw holes on the wall.
  - 1) Route the cables through the gang box hole.
  - 2) Insert the gang box into the installation hole.
  - 3) Mark the gang box screw holes' position with a marker, and take out the gang box.



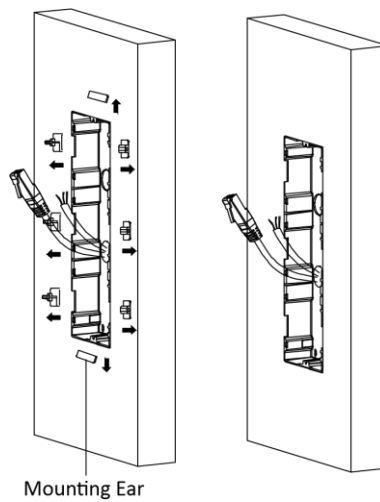
**Figure 3-39 Mark the Screw Holes**

4. Drill 4 holes according to marks on the wall, and insert the expansion sleeves into the screw holes. The suggested size of hole is 6 (diameter) × 45 (depth) mm.
5. Fix the gang box with 4 expansion bolts.



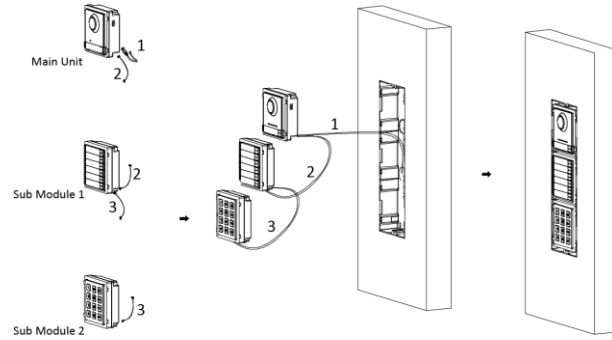
**Figure 3-40 Fix the Gang Box**

6. Fill the gap between the gang box and wall with concrete. Remove the mounting ears with tool after concrete is dry.



**Figure 3-41 Remove the Mounting Ears**

7. Connect cables and insert the modules.
- 1) Connect Cable 1 and one end of Cable 2 to the corresponding interfaces of the main unit, then insert the main unit into the upper grid.
  - 2) Connect the other end of Cable 2 to the input interface of Sub Module 1. Connect one end of Cable 3 to the output interface of Sub Module 1 and insert it into the middle grid.
  - 3) Connect the other end of Cable 3 to the input interface of Sub Module 2. Insert it into the bottom grid.



**Figure 3-42 Connect Cables and Insert Modules**

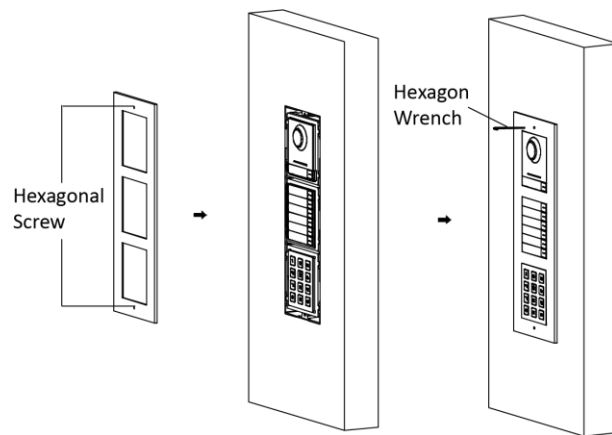
---

**Note**

Cable 1 refers to the cables pulled out from the wall that connected to the main unit. Cable 2 and Cable 3 refer to the module-connecting line in the accessory package.

---

8. Fix the cover and the main unit with 2 socket head cap screws by using a hexagon wrench (supplied).



**Figure 3-43 Fix the Cover**

## 3.5 More-Than-Three Module Installation

### 3.5.1 More-than-Three Module Surface Mounting

#### Before You Start

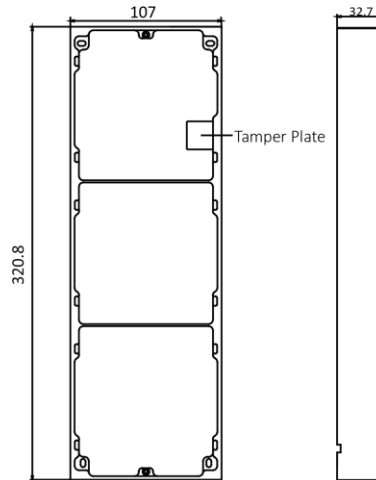


Figure 3-44 Mounting Frame

---

#### Note

- It takes two three-module mounting frames. The dimension of three-module mounting frame (W × H × D) is: 320.8 mm × 107 mm × 32.7 mm.
  - The dimensions above are for reference only. The actual size can be slightly different from the theoretical dimension.
- 

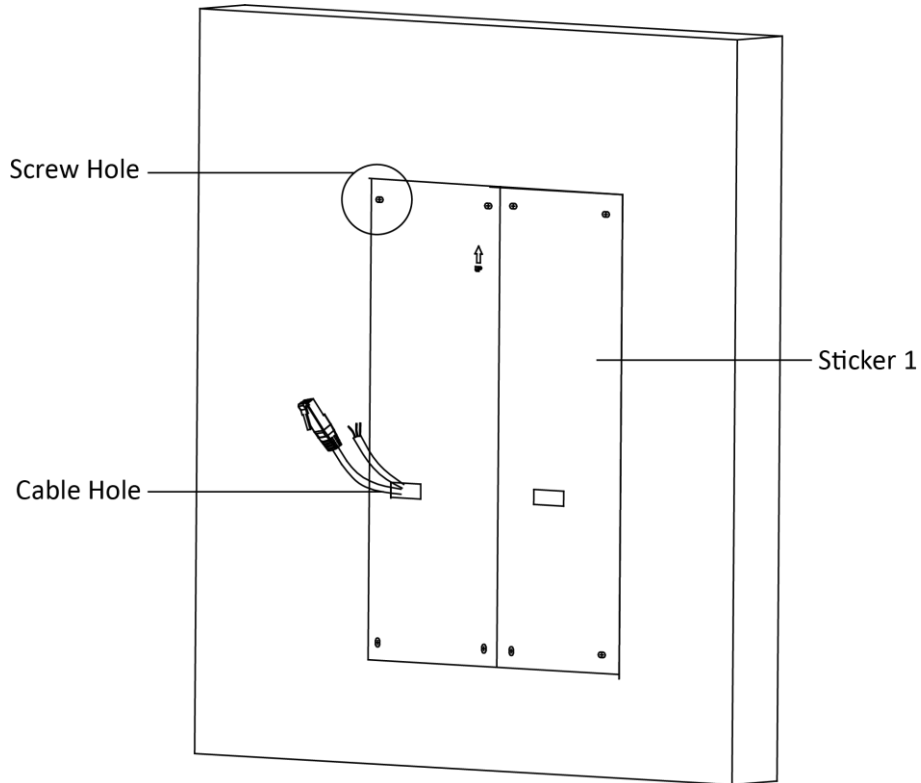
#### Steps

1. Paste two Sticker 1 onto the wall. Make sure the stickers are placed horizontally via measuring with the gradienter.
  2. Drill 8 holes according to the screw holes on the sticker.
- 

#### Note

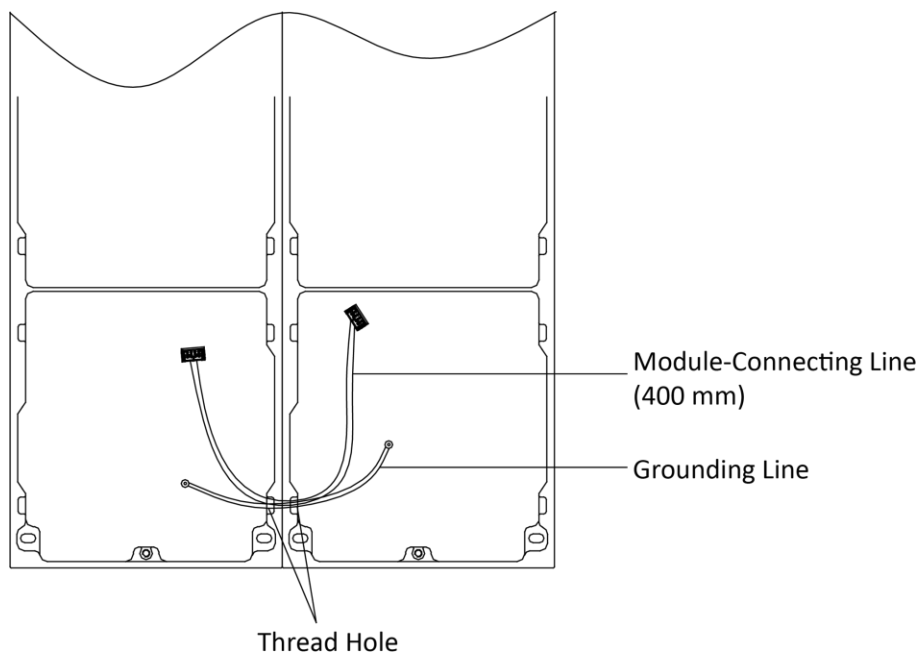
- The suggested size of hole is 6 (diameter) × 25 (depth) mm.
  - The suggested length of cables left outside is 270 mm.
- 

3. Pull out the cable through the cable hole of the left sticker.



**Figure 3-45 Drill Screw Holes**

4. Remove the stickers and insert the expansion sleeves into the screw holes.
5. Thread the module-connecting line (400 mm) and grounding line across the thread hole of both frames.



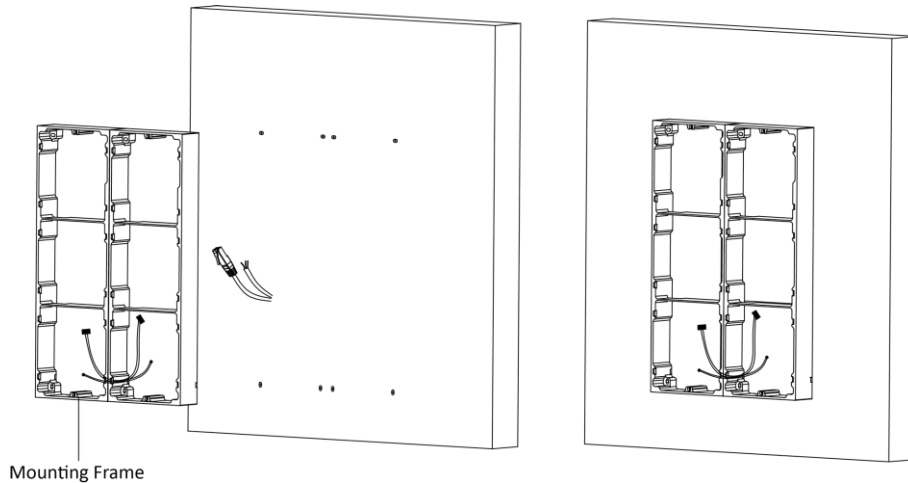
**Figure 3-46 Place the Grounding Line and Module-Connecting Line**



## Note

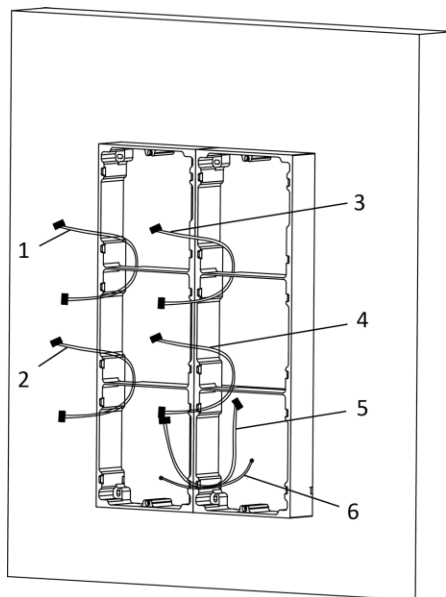
- There are 6 module-connecting lines in the package: 190 mm × 4 and 400 mm × 2.
- Take the 400 mm module-connecting line for this step.
- The green-yellow line in the package is for grounding.

6. Fix the mounting frame onto the wall with 8 expansion bolts.



**Figure 3-47 Fix the Mounting Frame**

7. Pass the main unit connecting line across the thread hole to the top grid of the left frame. Thread the module-connecting line (190 mm) across the thread hole of the frame. The lines should be placed as shown below.

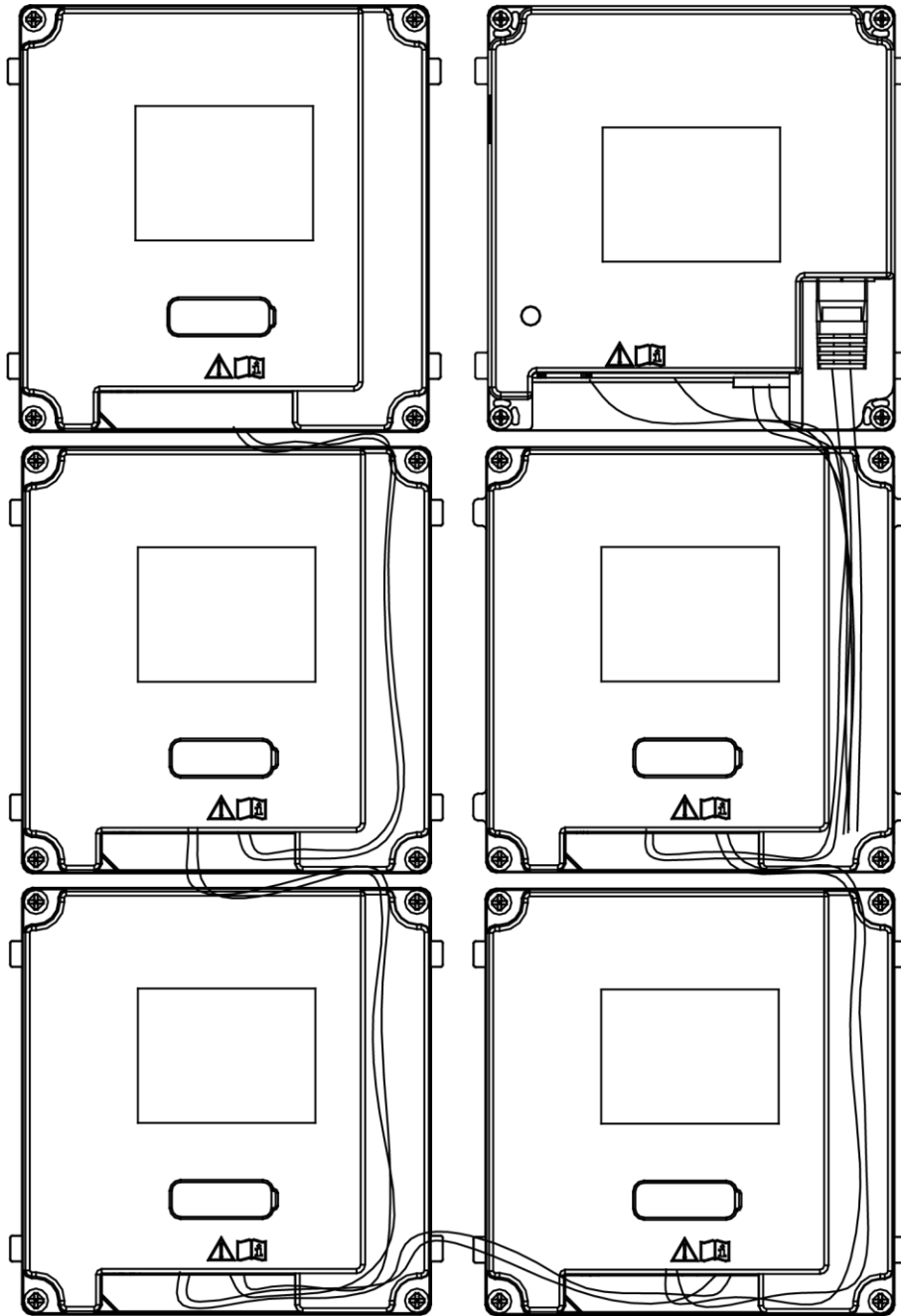


- 1,2,3,4 : module-connecting line (190 mm)
- 5 : module-connecting line (400 mm)
- 6 : module-connecting line (green-yellow)

**Figure 3-48 Placement of Lines**

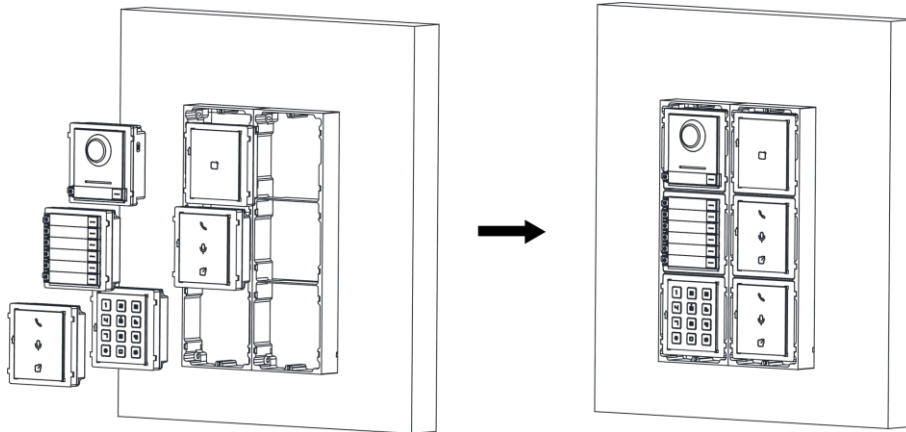
8. Connect the cables.

- 1) Connect the cables from the wall and module-connecting line 1 to the corresponding interfaces of the main unit, then place the main unit into the upper grid.
- 2) Connect the other end of the module-connecting line 1 to the input interface of the sub module. Connect all sub modules via module-connecting lines.
- 3) Organize the cable with cable tie in the package. The suggested cable connection picture as shown below.



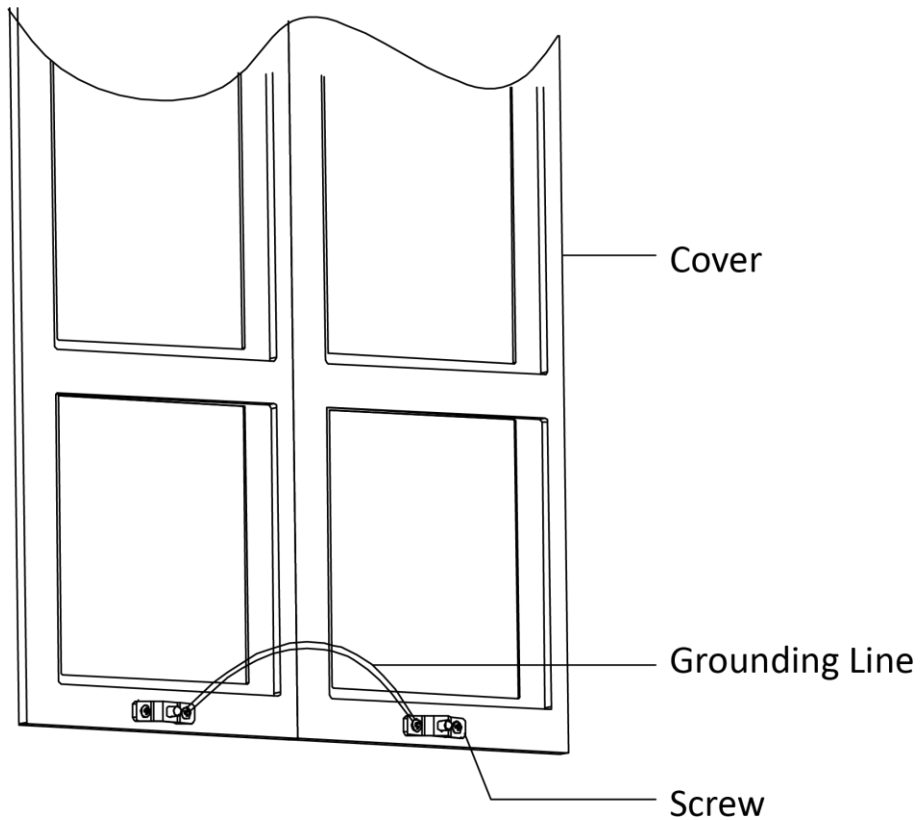
**Figure 3-49 Line Connection Effect Picture**

9. Insert the modules into the frame after wiring. The main unit must be placed in the top grid on the left.



**Figure 3-50 Insert the Modules**

10. Pull the grounding line out and fixed its two end to the screw on the cover.



**Figure 3-51 Connect the Grounding Line to the Cover**

11. Use the hexagon wrench in the package to fix the cover onto the frame.

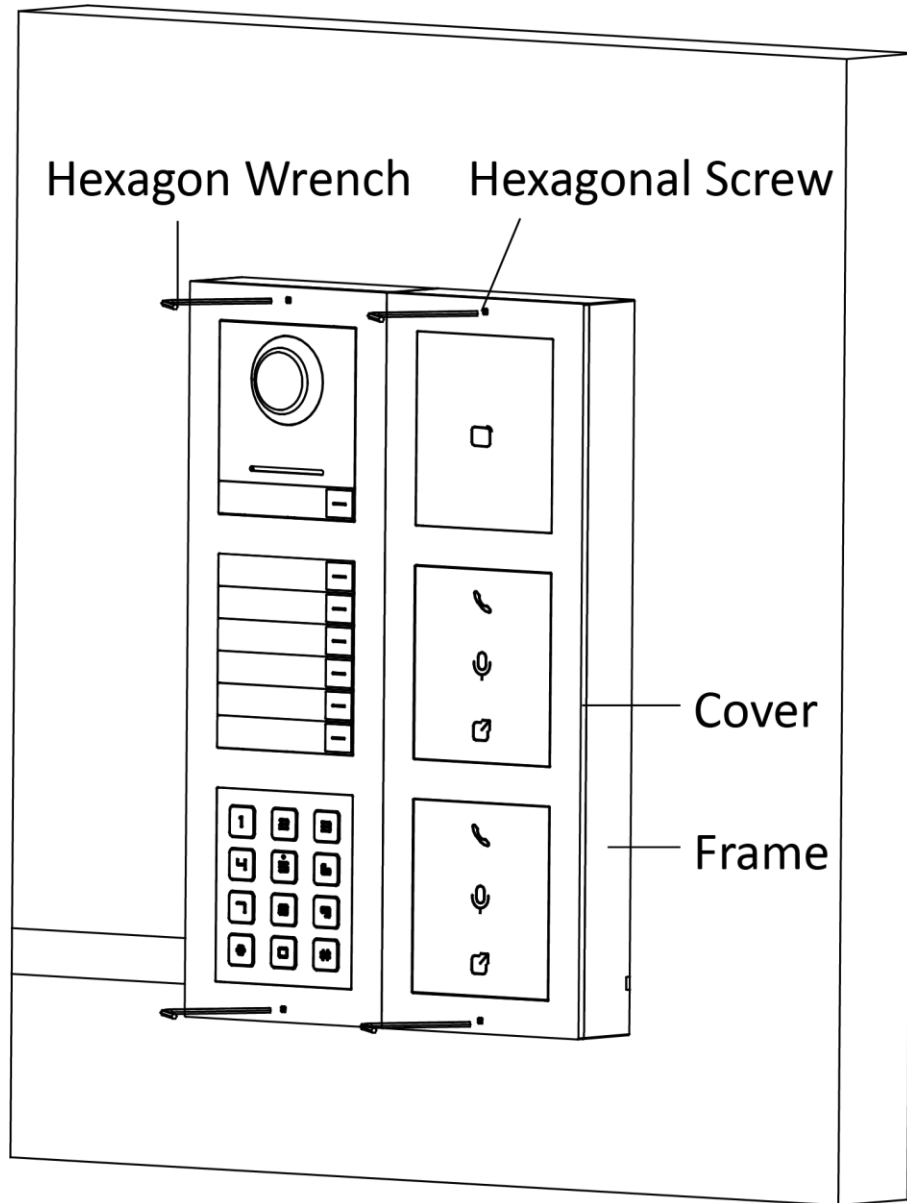


Figure 3-52 Fix the Cover

### 3.5.2 More-Than-Three Module Flush Mounting

#### Before You Start

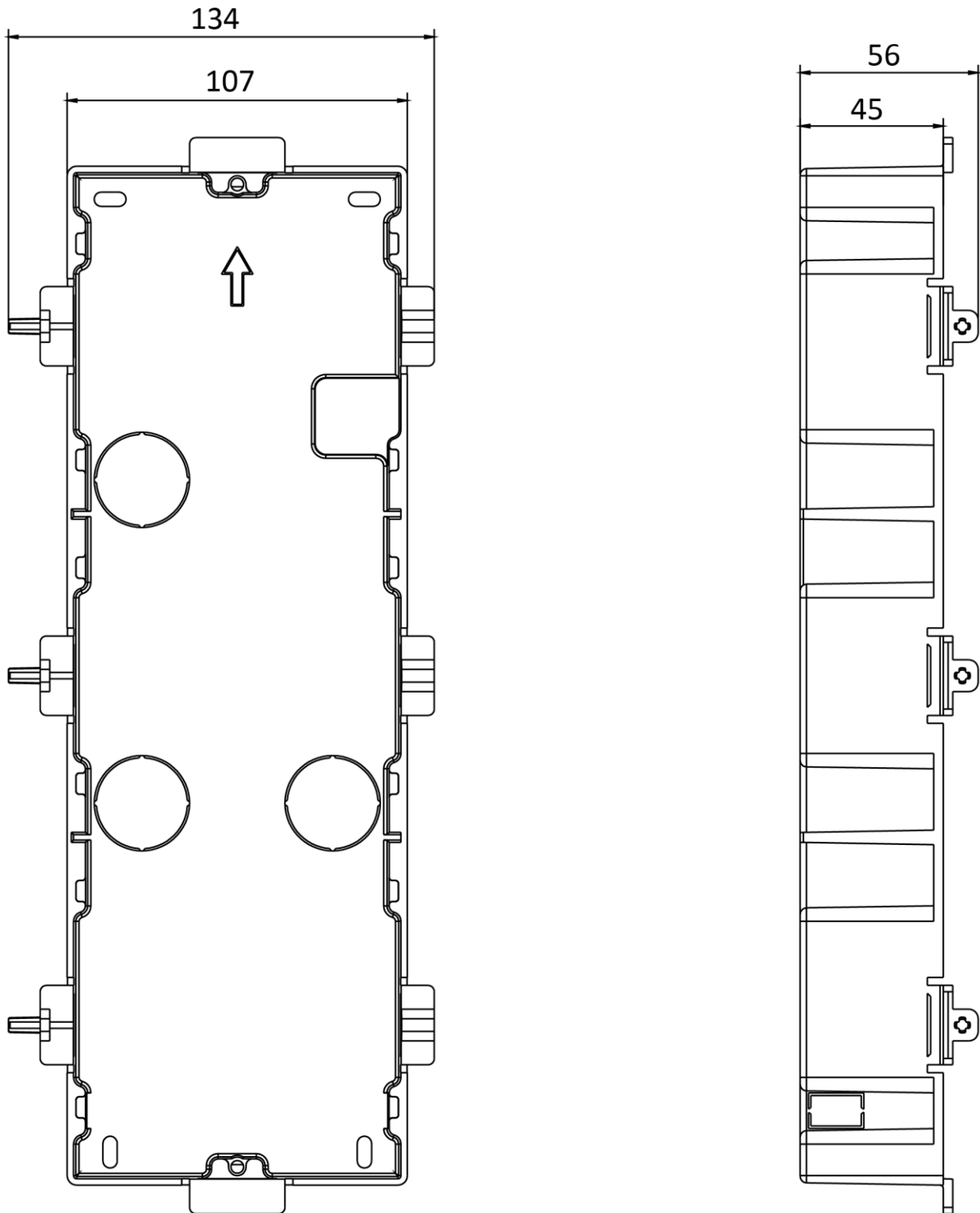


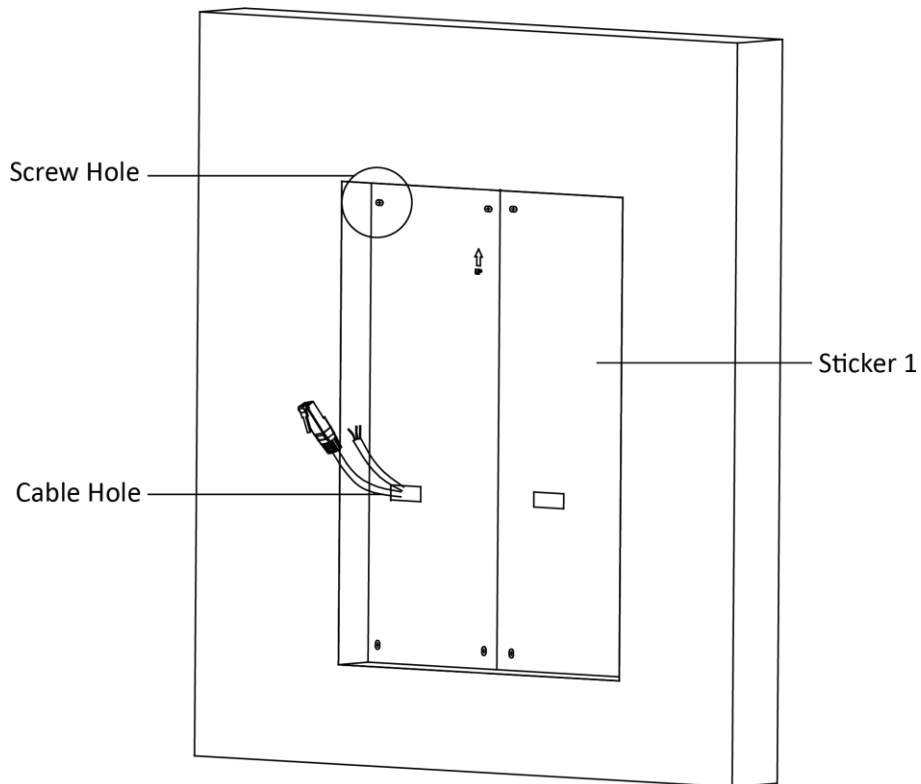
Figure 3-53 Gang Box

**Note**

It takes two three-module gang boxes. The dimension of the gang box is: 338.8 (W) × 134 (H) × 56 (D) mm. The dimension is for reference only.

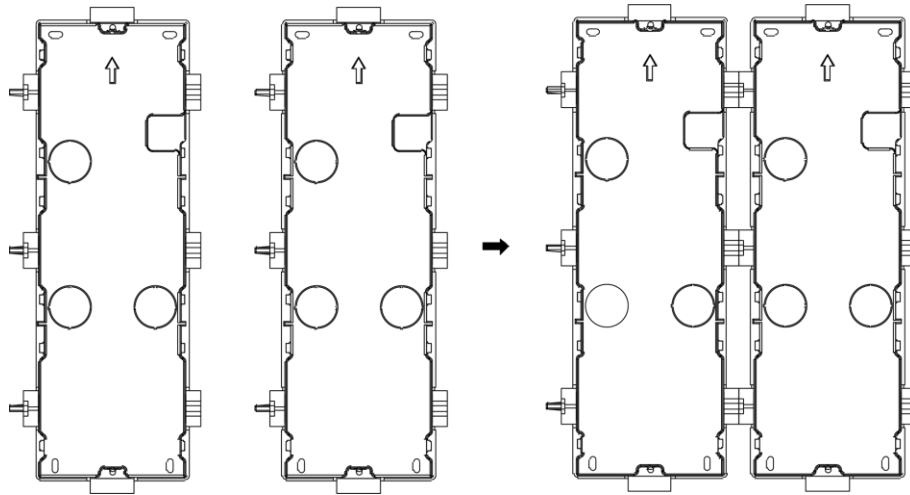
**Steps**

1. Drill the installation hole, and pull the cable out. The suggested dimension of installation hole is 321.8 (W) × 315 (H) × 45.5 (D) mm. The suggested length of cables left outside is 270 mm.



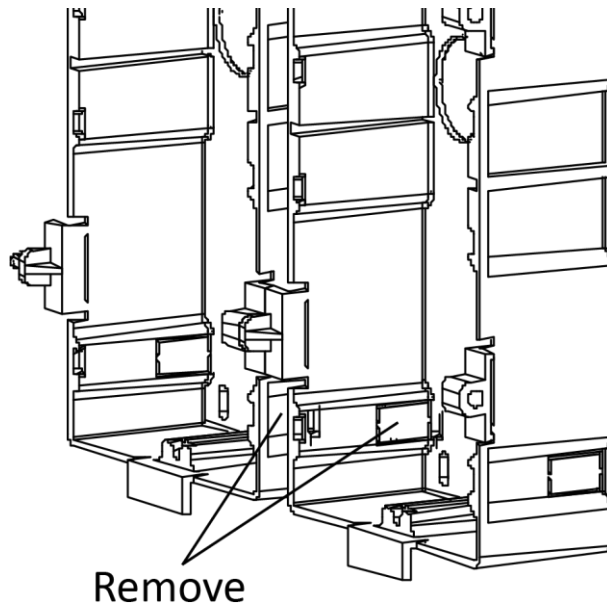
**Figure 3-54 Cave the Installation Hole**

2. Connect two gang boxes as below.



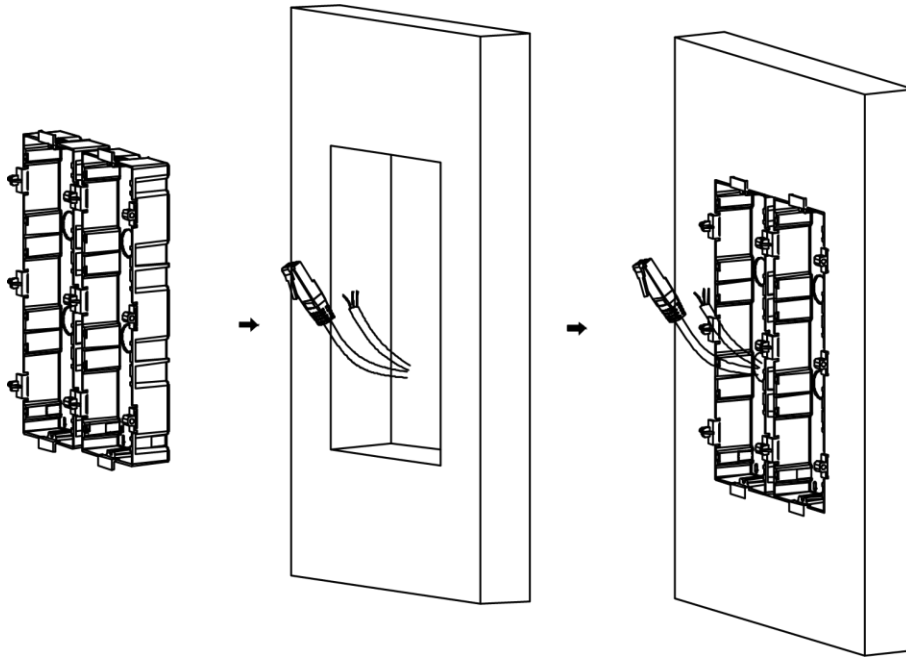
**Figure 3-55 Connect Two Gang Boxes**

3. Select a cable entry and remove the plastic sheet.
4. Remove the plastic sheets on the side of the gang boxes (shown as 1 and 2) below:



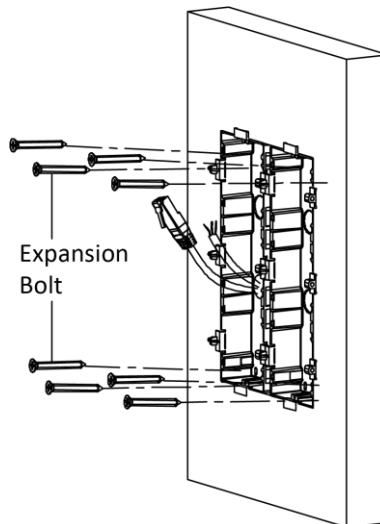
**Figure 3-56 Remove the Plastic Sheets**

5. Mark the gang box screw holes on the wall.
  - 1) Route the cables through the gang box hole.
  - 2) Insert the gang box into the installation hole.
  - 3) Mark the gang box screw holes' position with a marker, and take out the gang box.



**Figure 3-57 Mark the Screw Holes**

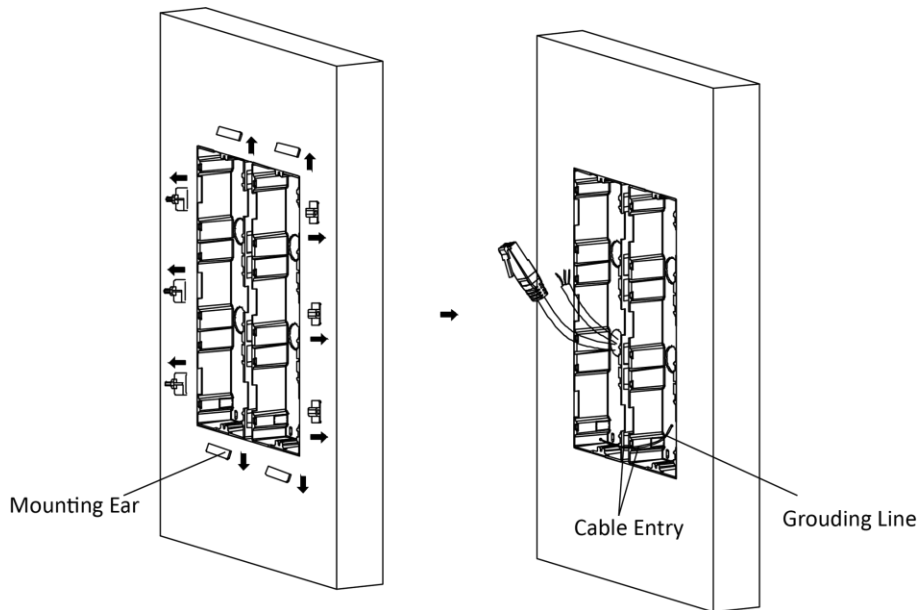
6. Drill 8 holes according to the marks on the wall, and insert the expansion sleeves into the screw holes. The suggested size of hole is 6 (diameter) × 45 (depth) mm.
7. Fix the gang boxes with 8 expansion bolts.



**Figure 3-58 Fix the Gang Boxes**

8. Fill the gap between the gang box and wall with concrete. Remove the mounting ears with tool after concrete is dry. Route the grounding line through the cable entries.





**Figure 3-59 Remove the Mounting Ears**

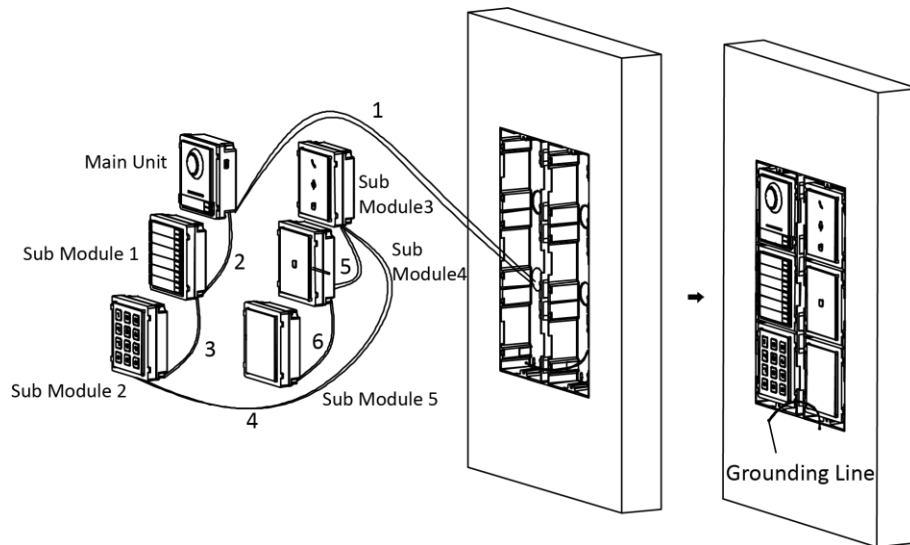
---

**Note**

The green-yellow line in the package is for grounding.

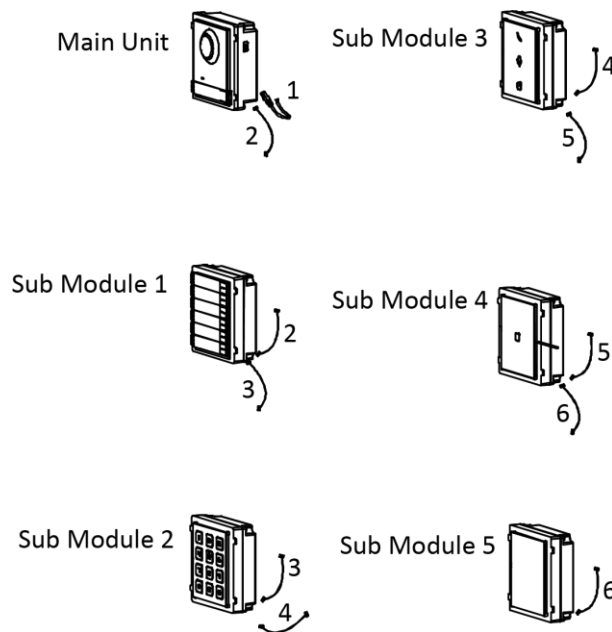
---

9. Connect cables and insert the modules.
  - 1) Connect Cable 1 and one end of Cable 2 to the corresponding interfaces of the Main Unit, then place the Main Unit into the upper grid of the left gang box.
  - 2) Connect the other end of Cable 2 to the input interface of Sub Module 1. Connect one end of Cable 3 to the output interface of Sub Module 1 and insert it into the middle grid of the left gang box.
  - 3) Finish the wiring and inserting according to the cable number and the position shown as below.



**Figure 3-60 Install Mounting Frame**

The cables connect to each module shown as below.

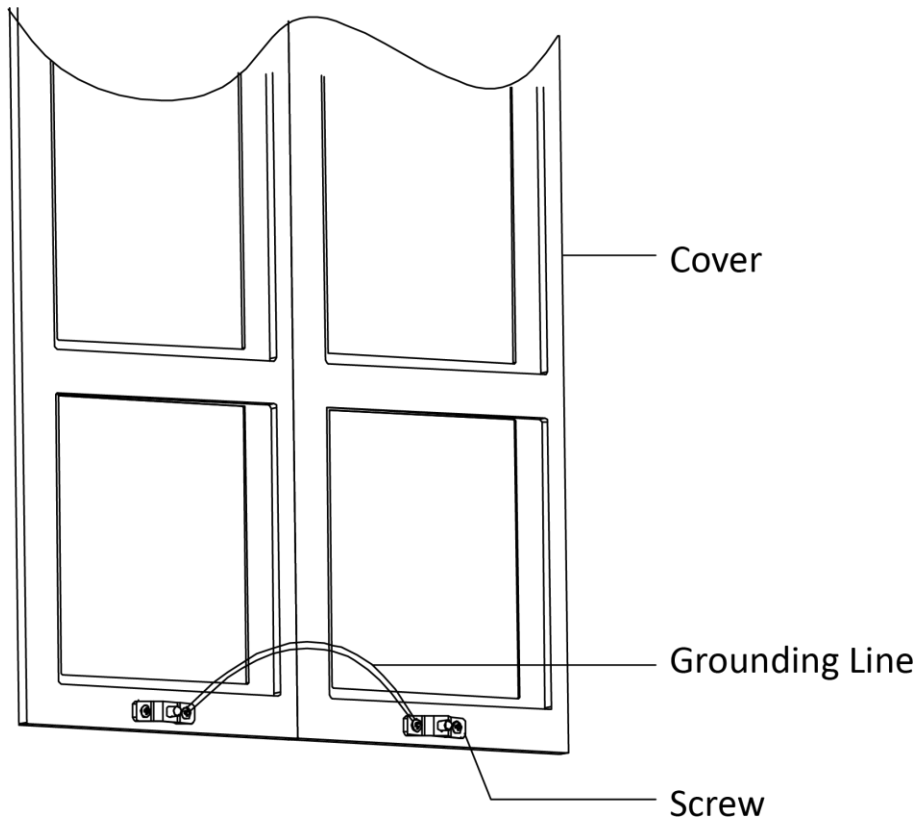


**Figure 3-61 Cables Connection**

**Note**

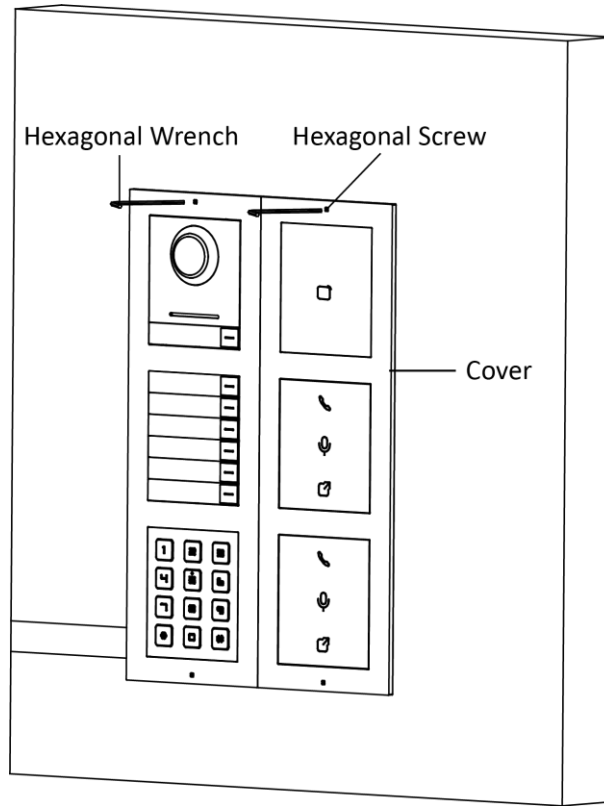
- Cable 2,3,5 and 6 are the module-connecting lines (190 mm) in the package.
- Cable 4 is the module-connecting line (400 mm) in the package.
- Main unit must be put in the top grid.

10. Pull the grounding line out and fixed its two end to the screw on the cover.



**Figure 3-62 Connect the Grounding Line to the Cover**

11. Fix the cover with 2 socket head cap screws by using a hexagon wrench (supplied).



**Figure 3-63 Fix the Cover**

## Chapter 4 Device Configuration

### 4.1 Activate Device

You can only configure and operate the door station after creating a password for the device activation.

Default parameters of door station are as follows:

- Default IP Address: 192.0.0.65.
- Default Port No.: 8000.
- Default User Name: admin.

#### Steps

---

#### Note

Continuously press the call button for 5 times in 25 s after powering on, the device will broadcast the device's IP address once.

---

1. Run the client software, click **Maintenance and Management** → **Device Management** → **Device** to enter the page.
  2. Click **Online Device**.
  3. Select an inactivated device and click the **Activate**.
  4. Create a password, and confirm the password.
- 

#### Note

We highly recommend you to create a strong password of your own choosing (using a minimum of 8 characters, including at least three kinds of following categories: upper case letters, lower case letters, numbers, and special characters) in order to increase the security of your product. And we recommend you reset your password regularly, especially in the high security system, resetting the password monthly or weekly can better protect your product.

---

5. Click **OK** to activate the device.
- 

#### Note

- When the device is not activated, the basic operation and remote operation of device cannot be performed.
  - You can hold the **Ctrl** or **Shift** key to select multiple devices in the online devices, and click the **Activate** button to activate devices in batch.
-

## 4.2 Edit Network Parameters

To operate and configure the device via LAN (Local Area Network), you need connect the device in the same subnet with your PC. You can edit network parameters via **iVMS-4200** client software.

### Steps

1. Select an online activated device and click the **Modify Netinfo**.
2. Edit the device IP address and gateway address to the same subnet with your computer.
3. Enter the password and click **OK** to save the network parameters modification.

---

### Note

- The default port No. is 8000.
  - The default IP address of the door station is 192.0.0.65.
  - After editing the network parameters of device, you should add the devices to the device list again.
- 

## 4.3 Add Device

To configure the device remotely, you need to add the device to **iVMS-4200** client software.

### Steps

1. Select the activated device in the online device area to click **Add** or click **+Add**.
  
2. Enter corresponding information, and click **Add**.

**Add** [X]

Adding Mode  IP/Domain  IP Segment  Cloud P2P  
 EHome  HiDDNS  Batch Import

Add Offline Device

\* Name 10.6.112.48  
\* Address 10.6.112.48  
\* Port 8000  
\* User Name admin  
\* Password ••••••••

Synchronize Time   
Import to Group

*i* Set the device name as the group name and add all the channels connected to the device to the group.

**Add and New** **Add** **Cancel**

Figure 4-1 Add to the Client

## 4.4 Reset Password

You can restore the default password or resetting the password for the door station.

### Steps

1. Select the device from the online device list, click **Reset Password**. If the window with import file button, key importing mode drop-down list, password and confirm password field pops up.
2. Click **Export** to save the device file on your computer.
3. Send the file to our technical engineers.
4. Our technical engineer will send you a file to you. After receiving a file from the technical engineer, select **Import File** from Key Importing Mode drop-down list and click ... to import the file.

5. Input new password in text fields of **Password** and **Confirm Password**.
6. Click **OK** to reset the password.

### **Note**

We highly recommend you to create a strong password of your own choosing (using a minimum of 8 characters, including at least three kinds of following categories: upper case letters, lower case letters, numbers, and special characters) in order to increase the security of your product. And we recommend you reset your password regularly, especially in the high security system, resetting the password monthly or weekly can better protect your product.

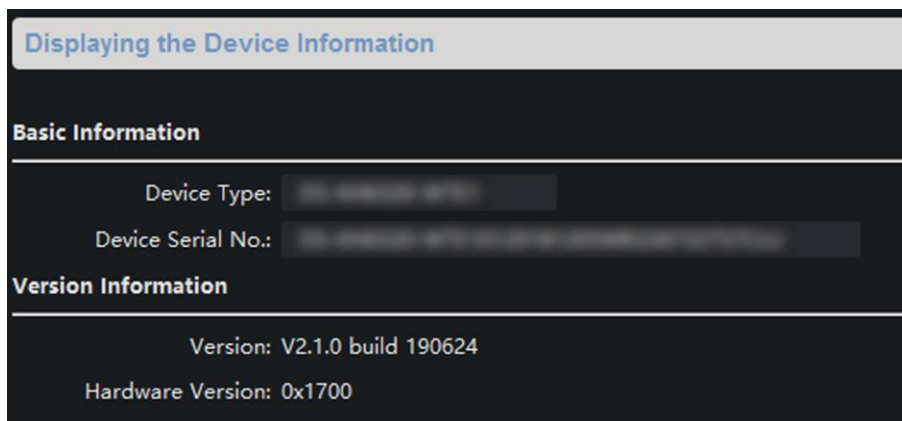
---

## 4.5 System

Click **System** on the remote configuration page to display the device information: Device Information, General, Time, System Maintenance, User, and RS-485.

### Device Information

Click Device Information to enter device basic information page. You can view basic information (the device type, and serial No.), and version information of the device.



**Figure 4-2 Device Information**

### General

Click **General** to enter device general parameters settings page. You can view and edit the device name and device ID.



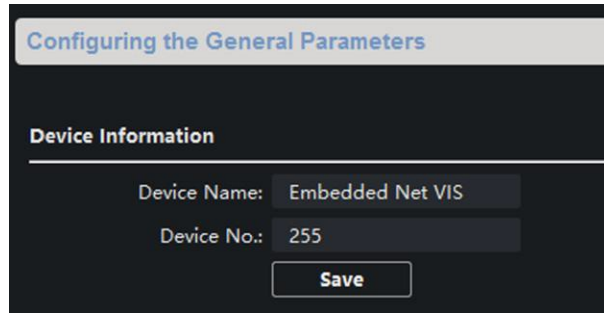


Figure 4-3 General

## Time

Click **Time** to enter the device time settings page.

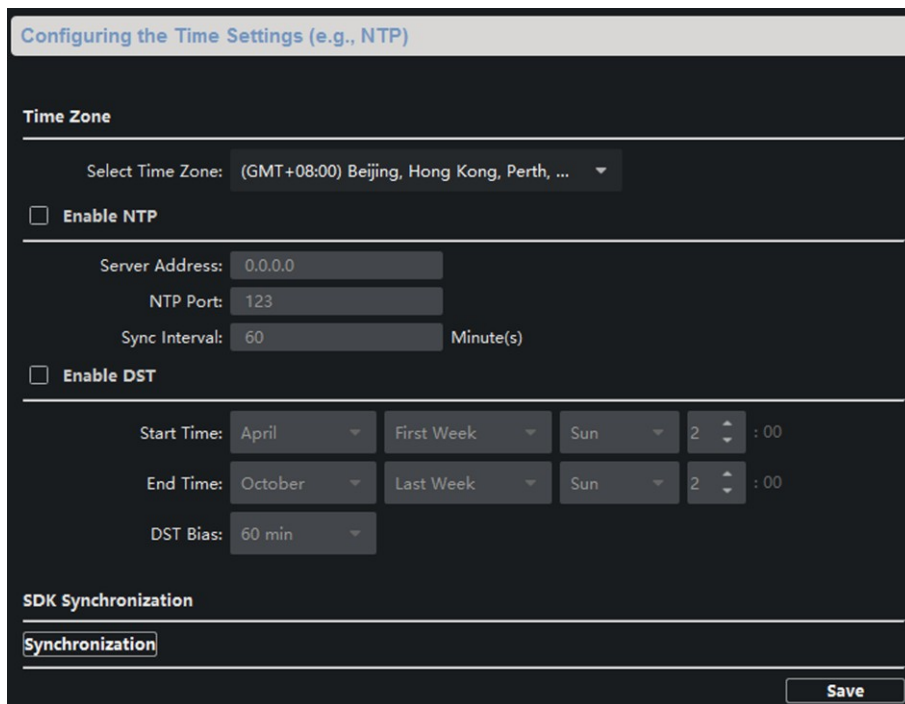


Figure 4-4 Synchronize Time

Select **Time Zone** or **Enable NTP**. Click **Save** to save the time settings.

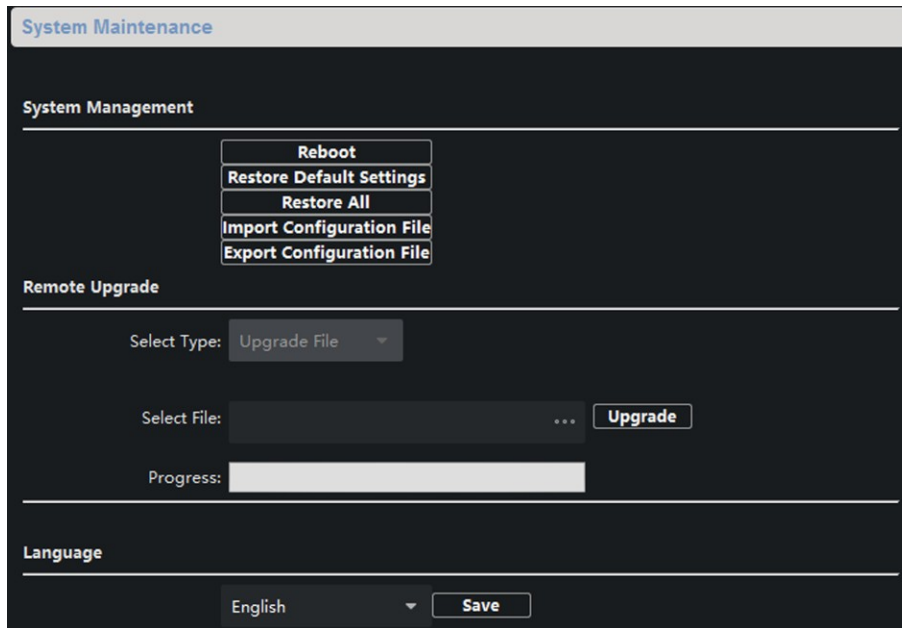
- Time Zone
  - Select a time zone from the drop-down list menu.
  - Click the **Synchronization**.
- NTP
  - Check the checkbox of Enable NTP to enable NTP.
  - Enter the server address, NTP port, and synchronization interval.
- DST
  - Check the checkbox of Enable DST to enable DST.
  - Enter the start time and end time of DST, and set the DST bias.

 **Note**

The default port No. is 123.

## System Maintenance

Click **System Maintenance** to enter the page.



**Figure 4-5 System Maintenance**

- Click **Reboot** and the system reboot dialog box pops up. Click **Yes** to reboot the system.
- Click **Restore Default Settings** to restore the default parameters.
- Click **Restore All** to restore all parameters of device and reset the device to inactive status.

 **Note**

- Click **Restore Default Settings**, all default settings, excluding network parameters, will be restored.
  - Click **Restore All**, all default settings, including network parameters, will be restored. The device will be reset to inactivated status.
- 
- Click **Import Configuration File** and the import file window pops up. Select the path of remote configuration files. Click **Open** to import the remote configuration file. The configuration file is imported and the device will reboot automatically.
  - Click **Export Configuration File** and the export file window pops up. Select the saving path of remote configuration files and click **Save** to export the configuration file.
  - Set **Select Type**.

### Note

Select **Controller Upgrade File** to upgrade the main unit.  
Select **Display Module Upgrade** to upgrade the display module.  
Select **Other Module Upgrade** to upgrade the other modules.

---

Click ... to select the upgrade file and click **Upgrade** to remote upgrade the device. The process of remote upgrade will be displayed in the process bar.

- Select a language, and click **Save** to change the device system language.
- 

### Note

- The device supports 11 languages.
  - Rebooting the device is required after you change the system language.
- 

## User

Click **User** to enter the user information editing page.

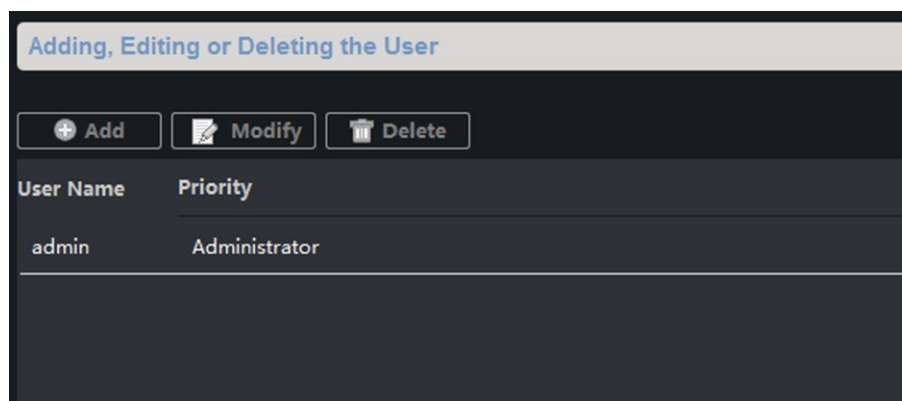


Figure 4-6 User Page

Select the user to edit and click **Modify** to enter the user parameter page.

---

### Note

- The new password and confirm password should be identical.
  - After editing the password of device, click refresh button from the device list, the added device will not be there. You should add the device again with new password to operate the remote configuration.
- 

## 4.6 Configure Video Intercom Parameters

Click **Video Intercom** on the remote configuration page to enter the video intercom parameters settings: Device Number Configuration, Time Parameters, Access and Elevator Control, IO

Input/Output, Volume, Dial, Sub Module and so on.

### 4.6.1 Device ID Configuration

#### Steps

1. Click **ID Configuration** to enter the device ID configuration page.

The screenshot shows a dark-themed configuration window titled "Device No. Configuration". It contains several input fields: "Device Type" is a dropdown menu currently showing "Door Station"; "Project No.", "Community No.", "Building No.", and "Floor No." are text input fields, each containing the number "1"; "No." is a text input field containing "0". A "Save" button is located at the bottom right of the form.

**Figure 4-7 Device No. Configuration**

2. Select the **device type** from the drop-down list, and set the corresponding information.

---

#### **Note**

The device type select **Door Station** as default. You can select **Outer Door Station** to change the device type.

---

3. Click **Save** to enable the device number configuration.

---

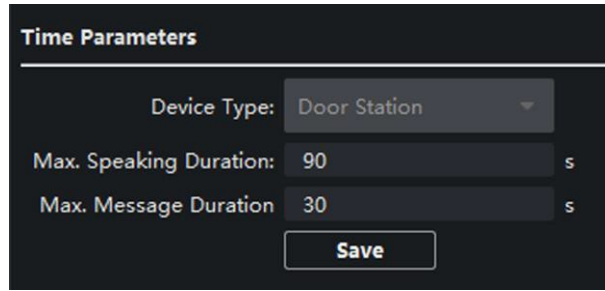
#### **Note**

- For main door station, the serial No. is 0.
  - For sub door station, the serial No. is higher than 0. Serial No. ranges from 1 to 99.
  - For each villa or building, at least one main door station should be configured, and sub door stations can be customized.
  - For one main door station, at most 8 sub door stations can be customized.
- 

### 4.6.2 Time Parameters

#### Steps

1. Click **Time Parameters** to enter time parameters settings page.



**Figure 4-8 Time Parameters**

2. Configure the maximum ring duration, maximum live view time, and call forwarding time.
3. Click **Save**.

---

 **Note**

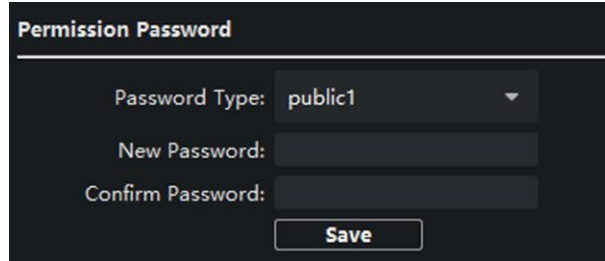
For door station, maximum speaking time and maximum message time should be configured. Maximum speaking time varies from 90 s to 120 s, and maximum message time varies from 30 s to 60 s.

---

### 4.6.3 Permission Password

#### Steps

1. Click **Permission Password** to enter the permission password page.



**Figure 4-9 Permission Password**

2. Edit the password accordingly.
3. Click **Save** to enable the settings.

---

 **Note**

- You can configure 3 public passwords.
  - You can open the door by entering # + public password + # at the door station.
-

## 4.6.4 Access Control and Elevator

### Before You Start

- Make sure your door station is in the mode of main door station. Only the main doorstation support elevator control function.
- Connection between the door station and the elevator controller supports network interface.

### Steps

1. Click **Access Control and Elevator** to enter corresponding configuration page.

**Access Control**

Upload Alarm for Not-Closed Door

Door No.: 1

Door-unlocked Duration: 15 s

Door Name:

Encrypt Card

Save

**Elevator Control**

Elevator No.: 1

Elevator Type: DS-K2210

Negative Floor: 0

Interface Type: Network Interface

Tip:All elevators should use the same interface type.

Enable Or Not: No

Server IP Address: 0.0.0.0

Server Port: 0

User Name:

Password:

Save

Figure 4-10 Access Control and Elevator

2. Set the **Access Control** parameters.

- 1) Select the door No.
  - 2) Set the **Door-unlocked Duration**.
  - 3) Optional: Enable **Upload Alarm for Not-Closed Door**.
  - 4) Click **Save** to enable the settings.
- 

### Note

- The door-unlocked duration ranges from 1 s to 255 s.
  - If you check **Upload Alarm for Not-Closed Door**, an alarm will be triggered automatically if the door is not locked in the configured duration.
  - Enabling **Card Encrypt**, the door station can recognize the encrypted information of the card when you swiping the card on the door station.
- 

### 3. Set the **Elevator Control** parameters.

- 1) Select an elevator No., and select an elevator controller type for the elevator.
  - 2) Set the negative floor.
  - 3) Select **network interface** as **interface type**. Enter the elevator controller's IP address, port No., user name, and password.
  - 4) Enable the elevator control.
- 

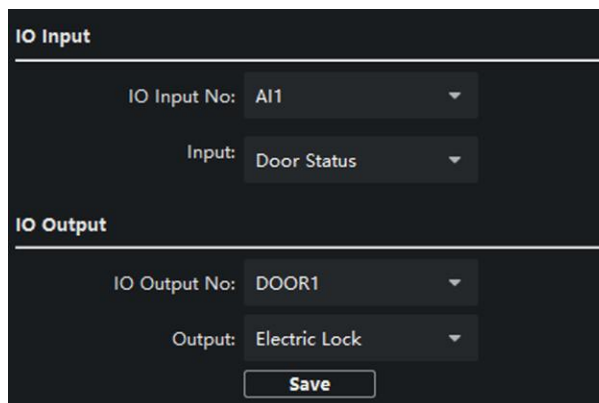
### Note

- Up to 4 elevator controllers can be connected to one door station.
  - Up to 10 negative floors can be added.
  - Make sure the interface types of elevator controllers, which are connected to the same door station, are consistent.
- 

## 4.6.5 I/O Input and Output

### Steps

1. Click **I/O Input and Output** to enter the I/O input and output settings page.



The screenshot shows a configuration interface for I/O settings. It is split into two main sections: 'IO Input' and 'IO Output'.  
Under 'IO Input', there are two dropdown menus: 'IO Input No:' is set to 'AI1' and 'Input:' is set to 'Door Status'.  
Under 'IO Output', there are two dropdown menus: 'IO Output No:' is set to 'DOOR1' and 'Output:' is set to 'Electric Lock'.  
At the bottom of the 'IO Output' section, there is a 'Save' button.

Figure 4-11 I/O Input and Output

2. Select **I/O input No.**, **input mode**, **output No.**, and **output mode**.
3. Click **Save** to enable the settings.

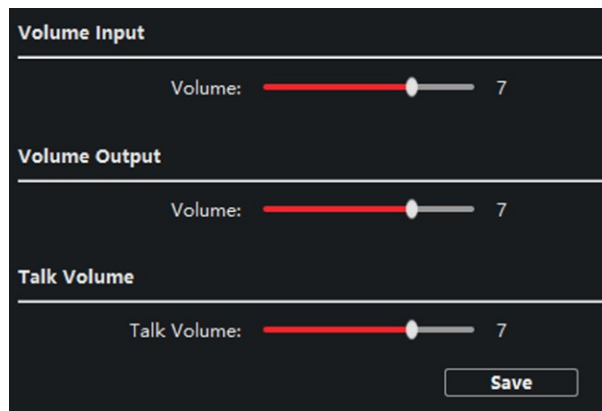
 **Note**

- For door station, there are 4 I/O input terminals. By default, Terminal 1 and 2 correspond to Door Status. Terminal 3 and 4 correspond to interfaces of Door Switch.
  - For door station, there are 2 I/O Output Terminals. Terminal 1 and 2 correspond to Door interfaces (NO1/COM/NC1; NO2/COM/NC2) of door station. Door 1 is enabled by default. You can enable/disable IO Out according to needs.
- 

## 4.6.6 Volume Input and Output

### Steps

1. Click **Volume Input/Output** to enter the volume input and output page.



**Figure 4-12 Volume Input and Output**

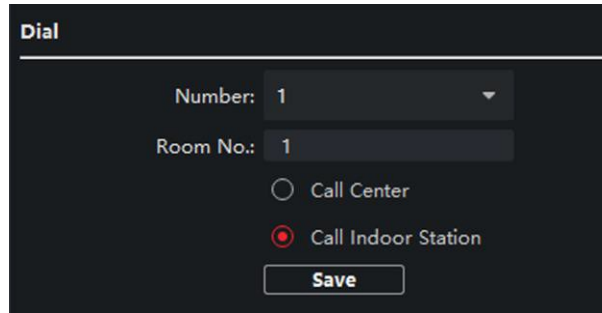
2. Slide the slider to adjust the **Volume Input**, **Volume Output**, and **Talk volume**.
3. Click **Save** to enable the settings.

## 4.6.7 Dial

### Steps

1. Click **Dial** to enter the dial page.





**Figure 4-13 Dial (Private SIP)**

2. Enter the room No. of the indoor station that the door station connected to.
3. Click **Save** to enable the settings.

---

 **Note**

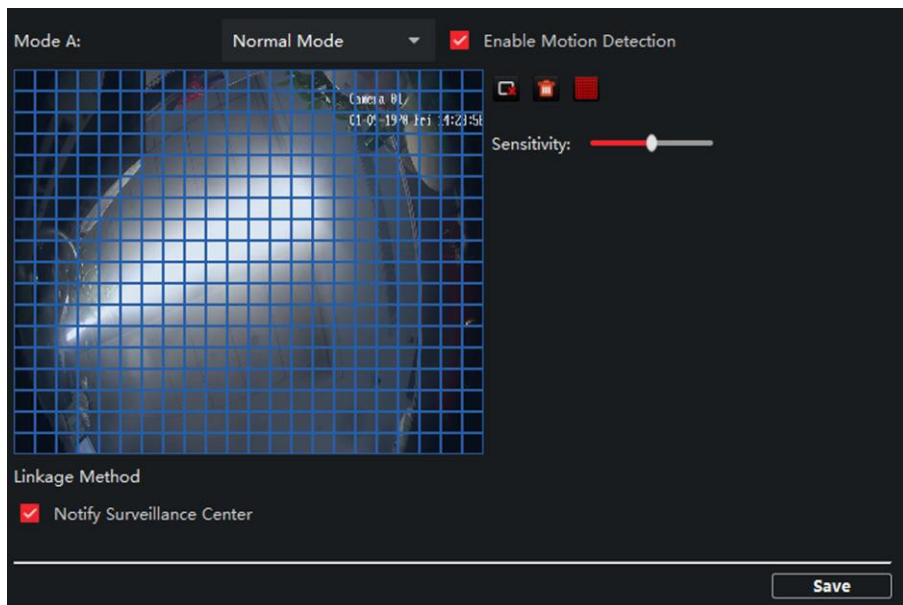
By default, quick press the call button, the door station calls resident. If you check Quick Press for Calling Center, the door station calls the management center when quick press the call button of the main unit.

---

## 4.6.8 Motion Detection

### Steps

1. Click **Motion Detection** to enter the motion detection page.



**Figure 4-14 Motion Detection**

2. Enable **Enable Motion Detection**.
3. Set the **Sensitivity**.
4. Click **Save**.

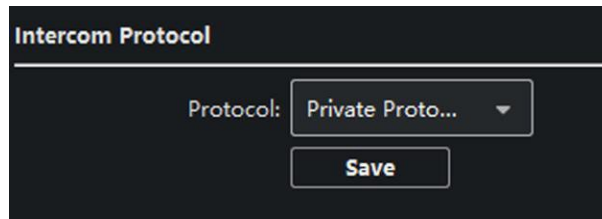
**Note**

The arming schedule is defaulted as all-day.

### 4.6.9 Intercom Protocol

**Steps**

1. Click **Intercom Protocol** to enter the intercom protocol page.



**Figure 4-15 Intercom Protocol**



2. Select the protocol according to needs.
3. Click **Save**.

### 4.6.10 Sub Module

You can configured the room No. of nametag module, adjust the backlight of the display module and configure the mode of the information module.

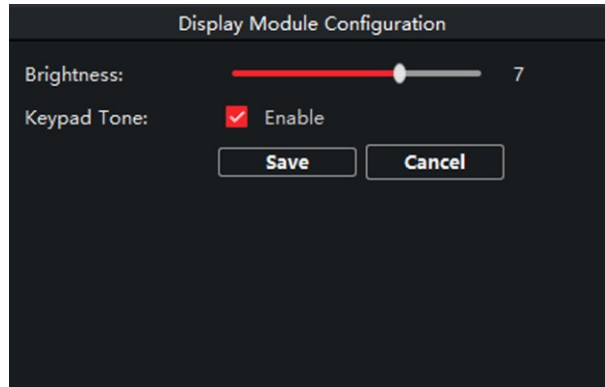
**Steps**

1. Click **Sub Module** to enter the sub module configuration page.

Module A...	Module Type	Module Status	Module Version Settings
1	Display Module	Online	V1.0.0...190620 
4	Keypad Module	Online	V1.0.0...190522 

**Figure 4-16 Sub Module**

2. Optional: Enter the **Room No.** for each call button of the nametag module.
3. Adjust the **Backlight** of the display module.



**Figure 4-17 Display Module**

- Optional: Enable **Keypad Tone**.
- Select the mode of the information module.

**on**

The backlight of the information module stays lit.

**off**

The backlight of the information module stays closed.

**Auto**

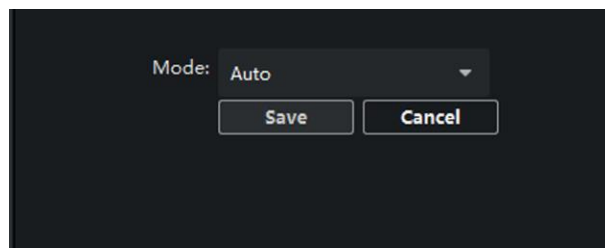
The backlight of the information module stays lit in the night, stays closed in the daytime.

---

 **Note**

Click **Day Night Switch** to set the day mode duration.

---



**Figure 4-18 Mode Settings**

- Click **Save**.

---

 **Note**

- The module address is used to differentiate the sub modules. See *Configure Sub Module Address* for detailed configuration instructions.
  - For the other sub modules (indicator module, keypad module and card reader module), it prompts **Not supported**.
  - The room No. for the main unit's call button is 1 by default; and the room No. for the nametag modules call buttons are 2 to 7 by default.
-

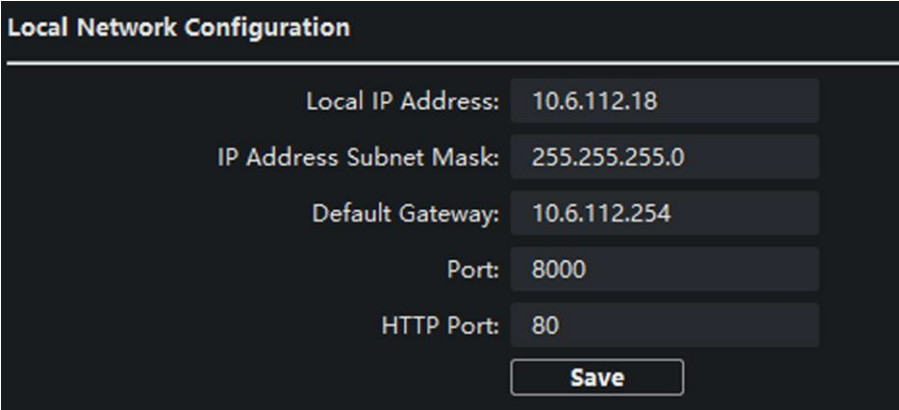
## 4.7 Configure Video Intercom Network

You need to configure video intercom network parameters in the network module. Click **Network** in the remote configuration page, to configure the local network, linked network and FTP settings.

### 4.7.1 Local Network Configuration

#### Steps

1. Click **Local Network Configuration** to enter local network configuration page.



The screenshot shows a configuration window titled "Local Network Configuration". It contains five input fields with the following values: Local IP Address: 10.6.112.18, IP Address Subnet Mask: 255.255.255.0, Default Gateway: 10.6.112.254, Port: 8000, and HTTP Port: 80. A "Save" button is located at the bottom right of the form.

Figure 4-19 Local Network Configuration

2. Enter the **Local IP Address, Subnet Mask, Default Gateway, Port and HTTP Port.**
3. Click **Save** to enable the settings.

---

#### Note

- The default port No. is 8000.
  - After editing the local network parameters of device, you should add the devices to the device list again.
- 

### 4.7.2 Linked Device Network Configuration

#### Before You Start

On the linked devices network configuration page, you can configure the network parameters of master stations, SIP servers and management centers of the same LAN. The devices can be linked to the door station and realize the linkage between these devices.

#### Steps

1. Click **Linked Network Configuration** to enter linked network configuration page.

**Linked Network Configuration**

Device Type: Door Station

Master Station IP Address: 0.0.0.0

SIP Server IP Address: 0.0.0.0

Security Control Panel IP Address: 0.0.0.0

Security Control Panel Port No.: 0

Save

**Figure 4-20 Linked Device Network**

2. Enter the **Master Station IP Address, (Main) Door Station IP Address, SIP Server IP Address, Security Control Panel IP Address** and **Port No.**
3. Select the main door station type from the drop-down list.
4. Click **Save** to enable the settings.

---

 **Note**

- After adding master station IP Address, the linkage between indoor station and master station can be realized.
  - After adding the door station IP Address, the video intercom between indoor stations of same building can be realized.
  - After adding SIP Server Address IP, the video intercom of same community: video intercom between indoor stations of different building, calling indoor station from outer door station and video intercom between management center and indoors.
  - After adding management center IP Address, the events can be uploaded to the management center.
  - For indoor extension, only parameter about the main indoor station should be configured.
- 

### 4.7.3 FTP

After configuring the FTP parameters, the captured pictures of door station will be uploaded to the FTP server automatically.

#### Steps

1. Click **FTP** to enter the FTP parameters settings page.

Enable Main FTP

Server Type: IP address

FTP Server: 0.0.0.0

Port: 21

Enable Anonymous:

User Name:

Password:

Directory: Save in the Child ...

Parent Directory: Community No.-B...

Child Directory: Enable Time

Picture Naming Rule

Separator: -

Name: Item 1

Named Element: Device Time

Save

**Figure 4-21 FTP Settings**

2. Enable **Enable Main FTP**.
3. Select IP address from the drop-down list of server mode.
4. Enter the FTP server address, and port No.
5. Optional: Enable the anonymity.
6. Enter the name and password.
7. Select the directory structure and set the separator, naming item, and naming element.
8. Click **Save** to enable the settings.

---

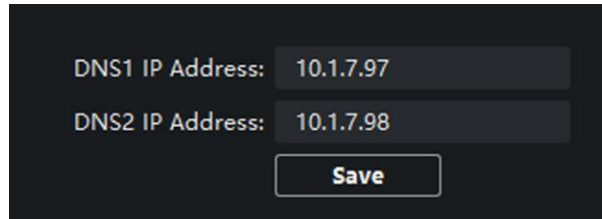
 **Note**

- The default port No. is 21.
  - To enable anonymity or not is according to whether the FTP server enables anonymity.
- 

### 4.7.4 Advanced Settings

#### Steps


1. Click **Advanced Settings** to enter the advanced network settings page.

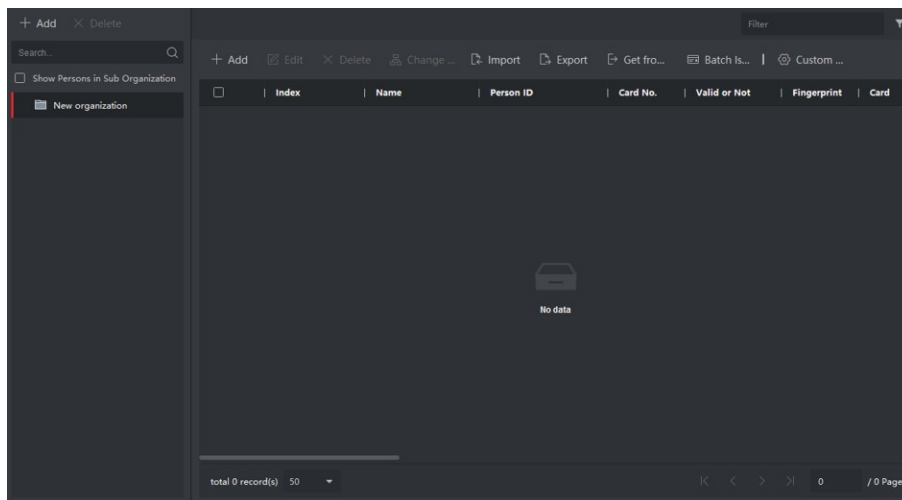


**Figure 4-22 Advanced Settings**

2. Enter the DNS server addresses.
3. Click **Save** to enable the settings.

## 4.8 Person and Card Management

You can add, edit, and delete the organization and person in Person and Card Management module. Organization and person management is necessary for the video intercom function. In the main page, click  **PersonalManagement Application** to enter the page.




**Figure 4-23 PersonalManagement Application**

The page is divided into two parts: Organization Management and Person Management.

Organization Management	You can add, edit, or delete the organization as desired.
Person Management	After adding the organization, you can add the person to the organization and issue card to persons for further management.

### 4.8.1 Organization Management

In the main page of the Client Software, click  **PersonalManagement** to enter the configuration page.

## Add Organization

### Steps


1. In the organization list on the left, click **+Add**.
  2. Input the **Organization Name** as desired.
  3. Click **OK** to save the adding.
  4. You can add multiple levels of organizations according to the actual needs.
    - 1) You can add multiple levels of organizations according to the actual needs.
    - 2) Then the added organization will be the sub-organization of the upper-level organization.
- 

### Note

Up to 10 levels of organizations can be created.

---

## Modify and Delete Organization

You can select the added organization and click  to modify its name.  
You can select an organization, and click **X** button to delete it.

---

### Note

- The lower-level organizations will be deleted as well if you delete an organization.
  - Make sure there is no person added under the organization, or the organization cannot be deleted.
- 

## 4.8.2 Person Management

After adding the organization, you can add person to the organization and manage the added person such as issuing cards in batch, importing and exporting person's information in batch, etc.

---

### Note

Up to 10,000 persons or cards can be added.

---

## Add Person

Person information is necessary for the video intercom system. And when you set linked device for the person, the intercom between intercom devices can be realized.

### Steps

1. Select an organization in the organization list and click **Add** on the Person panel to pop up the adding person dialog.



---

### **Note**

The Person No. will be generated automatically and is editable.

---

### 2. Set basic person information.

- 1) Enter basic information: name, gender, tel, birthday details, effective period and email address.
- 

### **Note**

The length of person name should be less than 15 characters.

---

- 2) Optional: Click **Add Face** to upload the photo.
- 

### **Note**

The picture should be in \*.jpg format.

---

**Click Upload**                      Select the person picture from the local PC to upload it to the client.

**Click Take Phone**                Take the person's photo with the PC camera.

**Click Remote  
Collection**                        Take the person's photo with the collection device.

### 3. Issue the card for the person.

- 1) Click **Credential** → **Card**.
- 2) Click + to pop up the Add Card dialog.
- 3) Select **Normal Card** as **Card Type**.
- 4) Enter the **Card No.**
- 5) Click **Read** and the card(s) will be issued to the person.

### 4. Link the device to the person.

- 1) Set the linked devices.

#### **Linked Device**

You can bind the indoor station to the person.

---

### **Note**

If you select **Analog Indoor Station** in the Linked Device, the **Door Station** field will display and you are required to select the door station to communicate with the analog indoor station.

---

#### **Room No.**

You can enter the room No. of the person.

---

- 2) Click **OK** to save the settings.
5. Click **Add** to save the settings.

### Import and Export Person Information

The person information can be imported and exported in batch.

#### Steps

1. Exporting Person: You can export the added persons' information in Excel format to the local PC.
  - 1) After adding the person, you can click **Export Person** to pop up the following dialog.
  - 2) Click ... to select the path of saving the exported Excel file.
  - 3) Check the checkboxes to select the person information to export.
  - 4) Click **OK** to start exporting.
2. Importing Person: You can import the Excel file with persons information in batch from the local PC.
  - 1) Click **Import Person**.
  - 2) You can click **Download Template for Importing Person** to download the template first.
  - 3) Input the person information to the downloaded template.
  - 4) Click ... to select the Excel file with person information.
  - 5) Click **OK** to start importing.

### Get Person Information from Device

If the added device has been configured with person information (including person details, fingerprint, issued card information), you can get the person information from the device and import to the client for further operation.

#### Steps



#### Note

This function is only supported by the device the connection method of which is TCP/IP when adding the device.

---

1. In the organization list on the left, click to select an organization to import the persons.
  2. Click **Get from Device** to pop up the dialog box.
  3. The added device will be displayed.
  4. Click to select the device and then click **Get** to start getting the person information from the device.
- 



#### Note

- The person information, including person details, person's fingerprint information (if configured), and the linked card (if configured), will be imported to the selected organization.
  - If the person name stored in the device is empty, the person name will be filled with the issued card No. after importing to the client.
-

- The gender of the persons will be **Male** by default.
- 

### Modify and Delete Person

Select the person and click **Edit** to open the editing person dialog.  
To delete the person, select a person and click **Delete** to delete it.

---

#### **Note**

If a card is issued to the current person, the linkage will be invalid after the person is deleted.

---

### Change Person to Other Organization

You can move the person to another organization if needed.

#### **Steps**

1. Select the person in the list and click **Change Organization**.
2. Select the organization to move the person to.
3. Click **OK** to save the settings.

### Issue Card in Batch

You can issue multiple cards for the person with no card issued in batch.

#### **Steps**

1. Click **Batch Issue Cards** to enter the dialog page. All the added person with no card issued will display in the Person(s) with No Card Issued list.

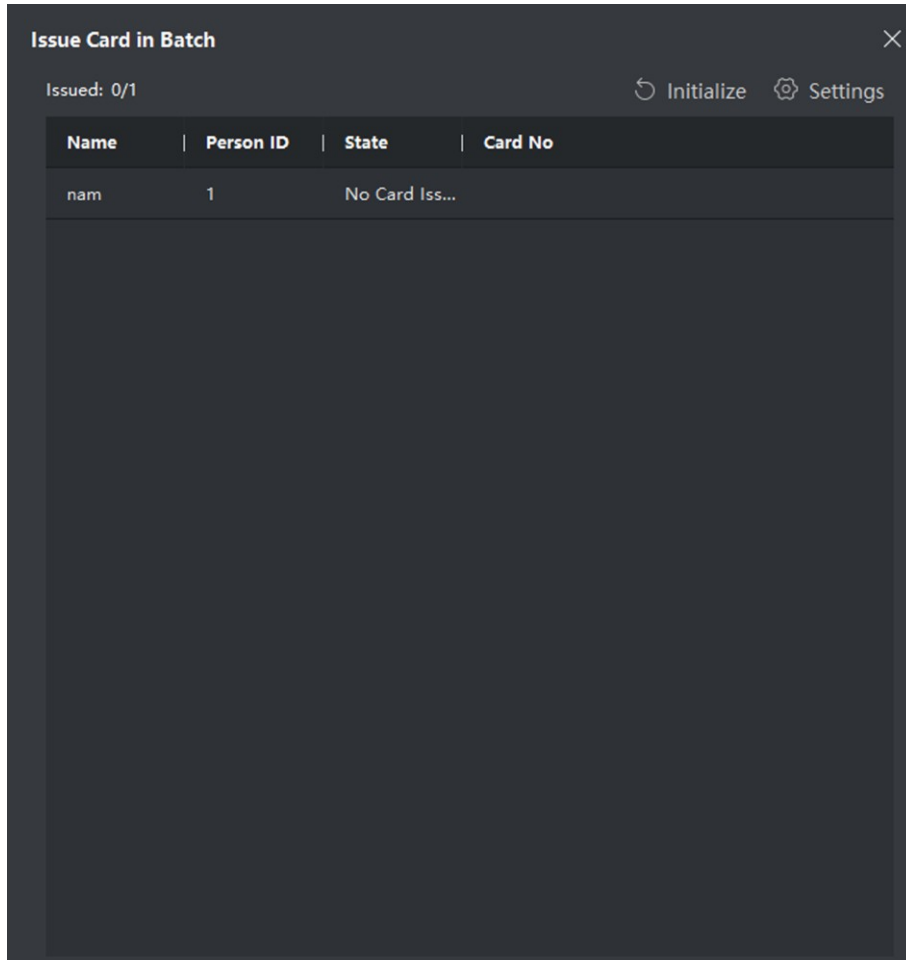
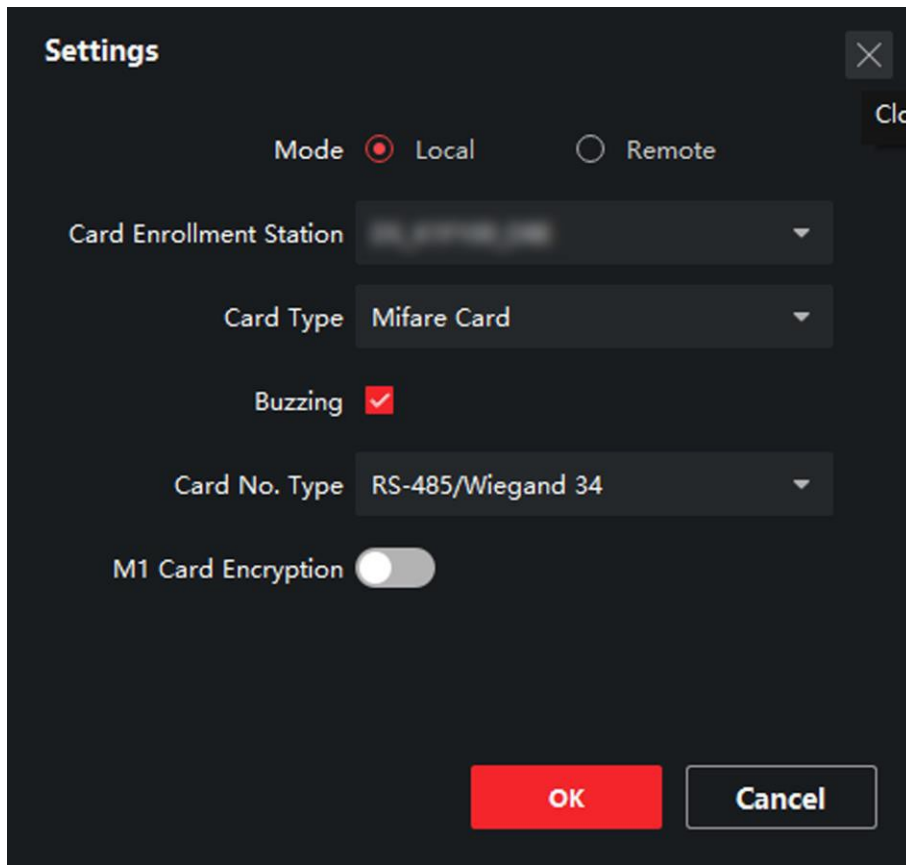


Figure 4-24 Issue Card in Batch

2. Click **Settings**.



3. Select **Card Type**.
4. Select the **Card No. Type**.
5. Click **OK**.
6. After issuing the card to the person, the person and card information will display in the Person(s) with Card Issued list.

## 4.9 Video Display

### 4.9.1 Video Parameters

#### Steps

1. Click **Video Parameters** to enter the video parameters settings page.

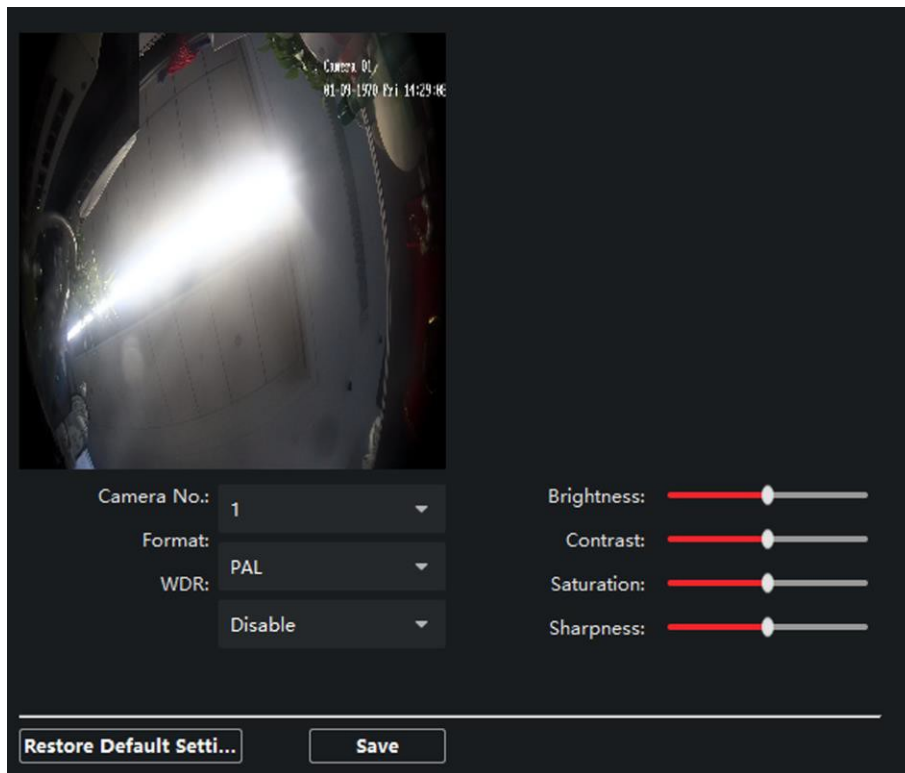


Figure 4-25 Video Parameters

2. Select the **Camera No.**
3. Select the video standard (PAL and NTSC can be selected).
4. Optional: Enable **WDR** mode.
5. Set the **Brightness, Contrast, Saturation** and **Sharpness** of the video.
6. Click **Save**.

---

 **Note**

Click **Restore Default Settings** to restore all video parameters excluding network parameters to the factory settings.

---

## 4.9.2 Video Display Parameters

### Steps

1. Click **Video Display** to enter the configuration page.

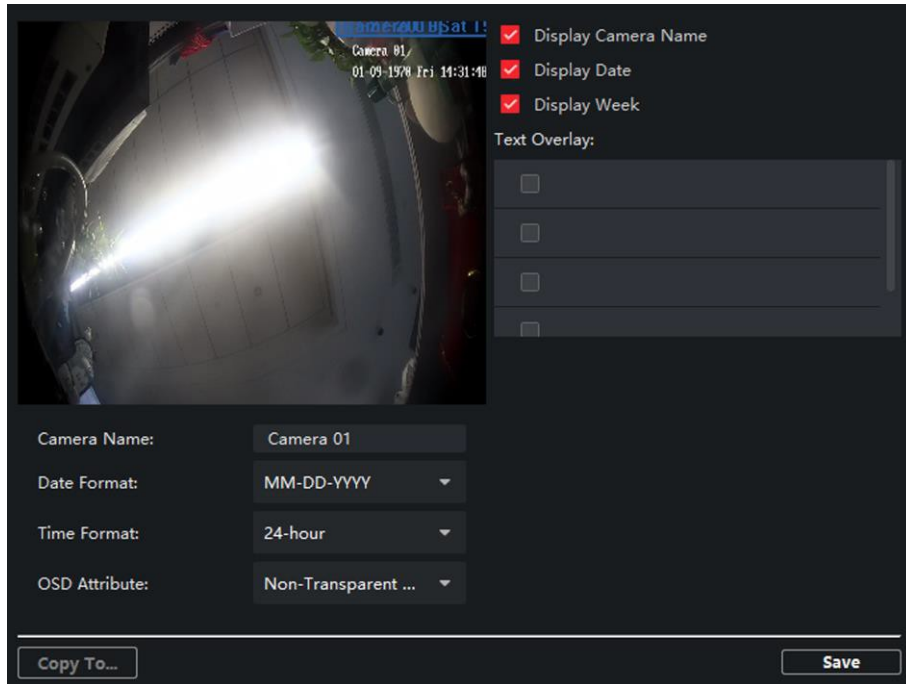


Figure 4-26 Video Display Parameters

2. Configure the parameters.
3. According to your needs, enable **Display Camera Name**, **Display Date** and **Display Week**.
4. Click **Save**.

## 4.9.3 Video & Audio

### Steps

1. Click **Video & Audio** to enter the video parameters settings page.

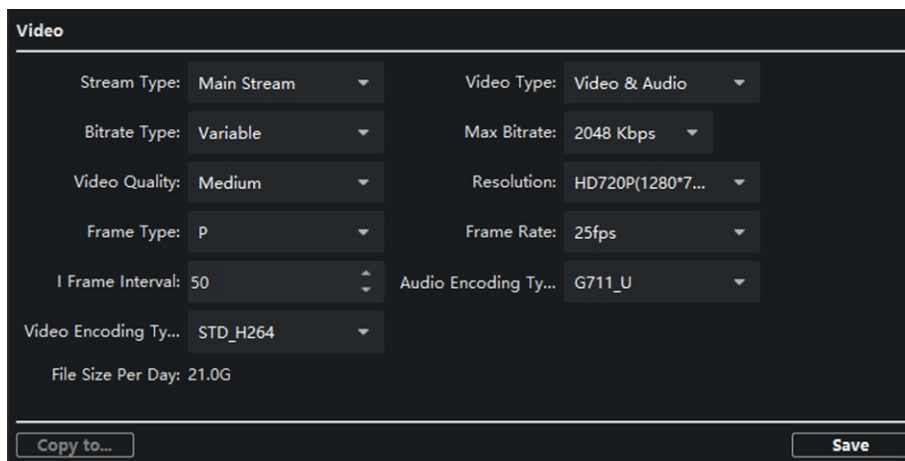


Figure 4-27 Video & Audio

2. Set the parameters.
3. Click **Save**.

 **Note**

It's suggested to keep the default settings to ensure the video/image quality.

---

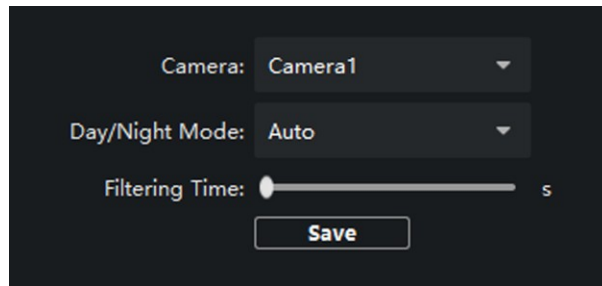


## Chapter 5 CCD Settings

### 5.1 Day Night Switch

#### Steps

1. Click **Day Night Switch** to enter the configuration page.



2. Select the **Camera**.
3. Select the **Day/Night Mode**.
4. Click **Save**.

### 5.2 BLC Mode

#### Steps

1. Click **Back Light Compensation** to enter the settings page.

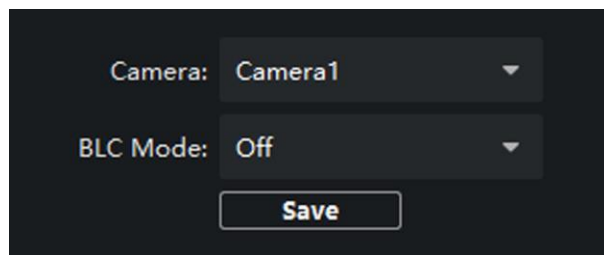


Figure 5-1 BLC Mode

2. Select the **Camera**.
3. Set the **BLC Mode**.
4. Click **Save**.

## Chapter 6 Video Intercom Operation

### 6.1 Video Intercom Operation via Device

#### 6.1.1 Call Resident

---

 **Note**

- Make sure you have configured the room No. of the device.
  - Make sure you have add contacts to the device via **iVMS-4200 Client Software**.
- 

You can call corresponding resident in three ways:

- Press the call button on the main unit or on the nametag unit.
  - Enter the Room No. on the keypad module, and press **#** to start calling.
- 

 **Note**

- You can press **\*** via keypad module to hang up.
  - You can press **Back button** via display module to hang up.
- 
- Press **^** or **∨** on the display module to enter the contact list.  
Press or hold **^/∨** to select a contact.  
Press **OK** and confirm to call.
- 

 **Note**

Hold **^** or **∨** to scroll the page up or down faster.

---

#### 6.1.2 Issue Card

##### Before You Start

Make sure you have issue the card locally or remotely. See *Person Management for issuing card via Client software* for details.

Issue Card via Main Card: You can swipe card to issue it after swiping the main card in advance.

##### Steps

1. Swipe the main card on the card reading area, and hear two beeps.
2. Swipe the unauthorized sub cards in turn after hearing a beep.
3. Swipe the main card again to end the card issuing process.

### Note

- DS-KD-M supports Mifare card, DS-KD-E supports EM card.
  - If the amount of sub cards exceeds 10000, no more sub card can be issued.
  - Up to 5 sub cards can be issued once. The issued frequency is no more than 2000.
- 

## 6.1.3 Unlock Door

### Unlock Door by Password

You can unlock the door by inputting the password via the keypad module. Three formats of password are supported. They are:

- **【#】 + Public Password + 【#】**
  - **【#】 + Password + 【#】**
  - **【#】 + Duress Password + 【#】**
- 

### Note

- Password contains 6 digits.
  - You're allowed to set 3 public passwords via iVMS-4200 client software.
  - The password varies according to different rooms.
- 

### Unlock Door by Card

### Note

Make sure the card has been issued. You can issue the card via the door station, or via **iVMS-4200** client software.

---

Swipe the card on the card induction area to unlock the door.

---

### Note

The main card does not support unlocking the door.

---

## 6.2 Video Intercom Operation via Client Software

The Video Intercom Management module provides the function of video intercom, checking call logs and managing notice via the **iVMS-4200 Client Software**.

---

### Note

For the user with access control module permissions, the user can enter the Access Control module and manage video intercom and search information.

---

You should add the device to the software and configure the person to link the device in Access Control module before your configuration remotely.

Click  **AccessControlInfo** → **Video Intercom** → **Video Intercom** on the left bar to enter the Video Intercom page.

## 6.2.1 Receive Call from Door Station

### Steps

1. Select the client software in door station page to start calling the client and an incoming call dialog will pop up in the client software.

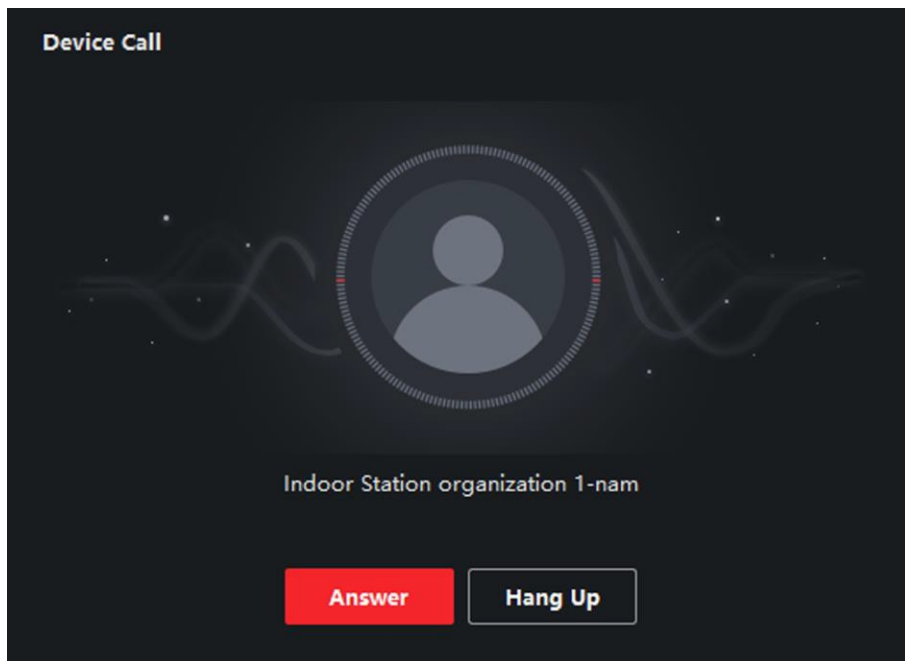





Figure 6-1 Device Call

2. Click **Answer** to answer the call. Or click **Hang Up** to decline the call.
3. After you answer the call, you will enter the In Call page.

**Adjust the Volume of Loudspeaker** Click  to adjust the volume of loudspeaker.

**Hang Up** Click **Hang Up** to hang up.

**Adjust the Volume of Microphone** Click  to adjust the volume of the microphone.

**Unlock Remotely** For door station, you can click  to open the door remotely.

---

### Note

- One video intercom device can only connect with one client software.

- The maximum ring duration can be set from 15s to 60s via the Remote Configuration of the video intercom device.
  - The maximum speaking duration between indoor station and iVMS-4200 can be set from 120s to 600s via the Remote Configuration of indoor station.
  - The maximum speaking duration between door station and iVMS-4200 can be set from 90s to 120s via the Remote Configuration of door station.
- 

### 6.2.2 Live View via Door Station

You can get the live view of the main unit in the Main View module and control the door station remotely.

In the Main View module, double-click a door station or drag the device to a display window to start the live view.

Right click on the live view page, click the unlock icon to remote unlock the door.

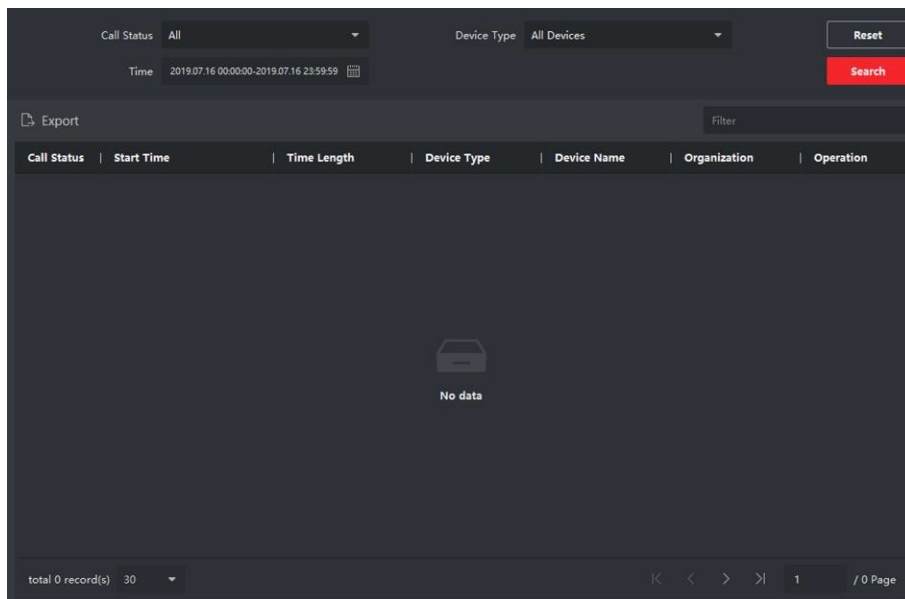
### 6.2.3 View Call Logs

#### Before You Start

You can check all the call logs, including dialed call logs, received call logs and missed call logs. You can also directly dial via the log list and clear the logs.

#### Steps

1. In the Video Intercom page, click **Call Log** to enter the Call Log page.



**Figure 6-2 View Call Logs**

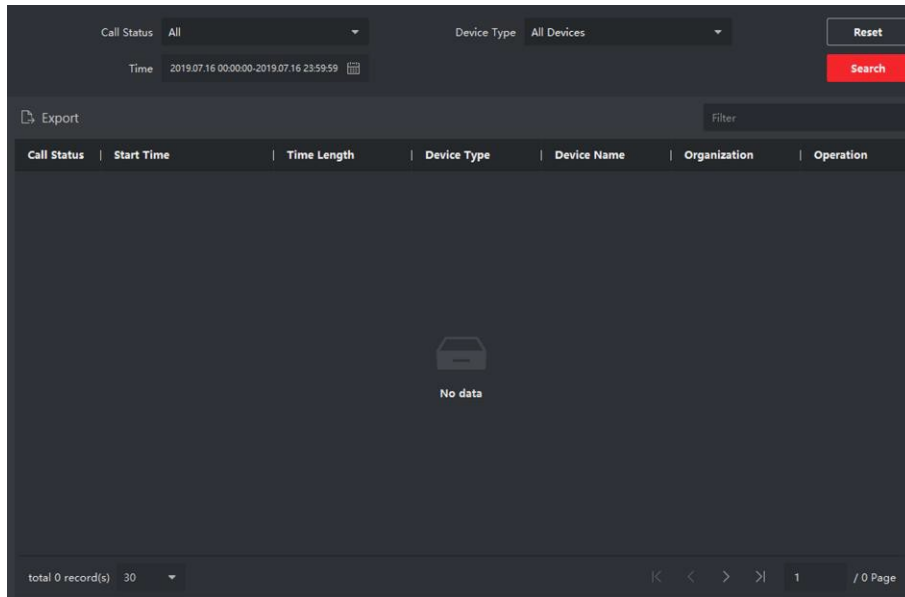
All the call logs will display on this page and you can check the log information, e.g., call status, start time, resident's organization and name, device name and ring or speaking duration.

2. Optional: Click the call button to re-dial the resident.

### 6.2.4 Search Call Logs

#### Steps

1. In the Video Intercom page, click **Call Log** to enter the Call Log page.



**Figure 6-3 Call Logs**

2. Set the search conditions, including call status, device type, start time and end time.


#### Call Status

Click **▼** to unfold the drop-down list and select the call status as **Dialed**, **Received** or **Missed**. Or select **All** to search logs with all statuses.

#### Device Type

Click **▼** to unfold the drop-down list and select the device type as **Indoor Station**, **Door Station**, **Outer Door Station** or **Analog Indoor Station**. Or select **All Devices** to search logs with all device types.

#### Day Mode Start Time/Day Mode End Time

Click  to specify the start time and end time of a time period to search the logs.

**Reset the Settings**      Click **Reset** to reset all the configured search conditions.

3. Click **Search** and all the matched call logs will display on this page.

4. Optional: Check the detailed information of searched call logs, such as call status, ring/speaking duration, device name, resident organization, etc.

5. Optional: Input keywords in the Search field to filter the desired log.

6. Optional: Click **Export** to export the call logs to your PC.



See Far, Go Further