

DS-D5042FL 42" LCD Monitor

- Backlit LED, Full HD 1920 × 1080 Resolution
- Wide Viewing Angle: 178° H/178° V
- 3D Comb Filter, 3D De-Interlace, 3D Noise Reduction, Skin Tone Correction
- HDMI, VGA, BNC, and USB Inputs
- Audio Input; Built-In Speakers
- Image Freeze
- High Reliability, Designed for 24 x 7 Use
- Metal Bezel for High Durability

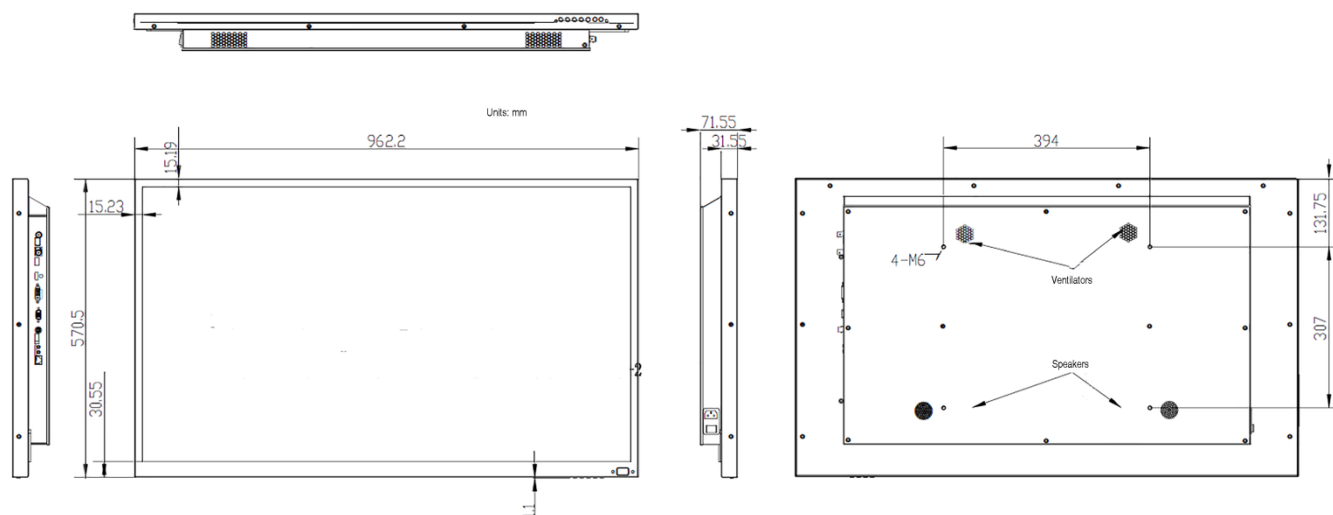
Available model: DS-D5042FL



Specifications

DS-D5042FL	
Display	
Display Type	LED backlit TFT LCD
Screen Size	42"
Pixel Pitch (H × V)	0.807 mm × 0.807 mm
Maximum Resolution	1920 × 1080
Brightness	400 cd/m2 (typical)
Contrast	4000:1
Response Time	8 ms
Color	16.7 M
Viewing Angle	Horizontal 178°, vertical 178°
Input	
HDMI	HDMI × 1
VGA	VGA × 1
DVI	DVI × 1
BNC	BNC × 1
USB	USB × 1
Audio	
Audio Input	1 x 3.5 mm mini-jack
Audio Out	1 x 3.5 mm mini-jack
Speaker	3 W × 2
General	
Ratings	FCC, CE
Bezel	Metal
Power Supply	100 to 220 VAC, 50/60 Hz
Consumption	<140 W (on) <1 W (standby)
Operation Temperature	(0° to 40° C)
Operating Humidity	10% to 85% (non-condensing)
Storage Temperature	-4° to 131° F (-20° to 55° C)
Storage Humidity	5% to 95% (non-condensing)
Dimensions (W × H × D)	37.88" × 22.46" × 2.82" (962.2 mm × 570.5 mm × 71.55 mm)
Weight	61.73 lbs (gross), 44.09 lbs (net)/28 kg (gross), 20 kg (net)

Dimensions



Accessories

Table Mount: Part No. 190109090

Wall Mount: Part No. 190108462