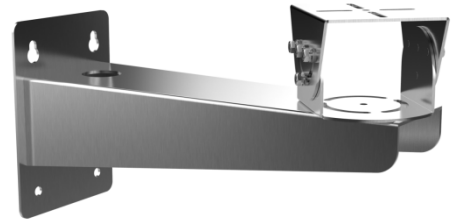


## WB-SS

### Anti-Corrosion Wall Mounting Bracket for Box Camera

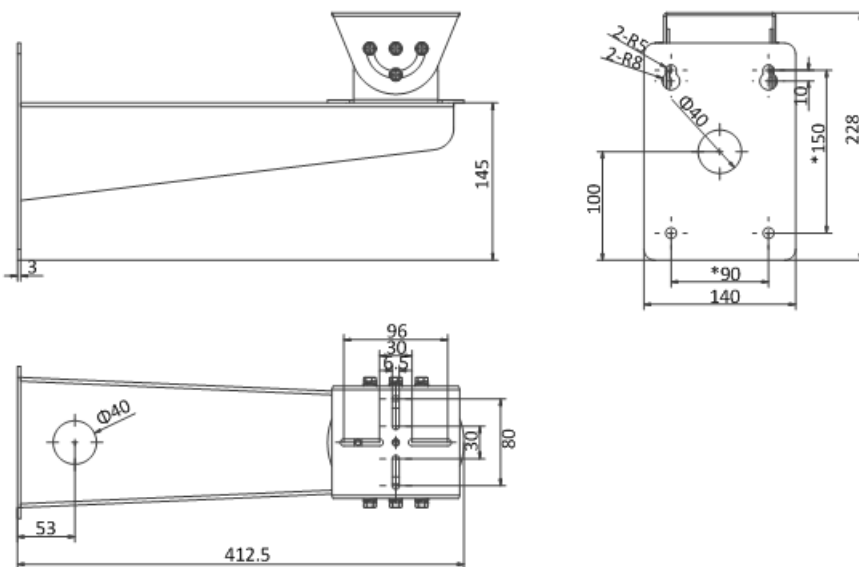
- Stainless Steel Design
- Anti-Corrosion Design
- Cap Design Facilitates Wiring



The bracket should be installed on a flat wall. The wall must be capable of supporting over 3 times the total weight of the camera and the mount. The maximum load capacity of the bracket is 44.1 lbs (20 kg).

Available Model: WB-SS

### Dimensions



### Specifications

	WB-SS
Appearance	Unpainted stainless steel
Material	Stainless steel
Dimension	8.98" x 5.51" x 16.2" (228 x 140 x 412.5 mm)
Weight	8.38 lbs (3.8 kg)