

CBM Conduit Base for Dome Camera



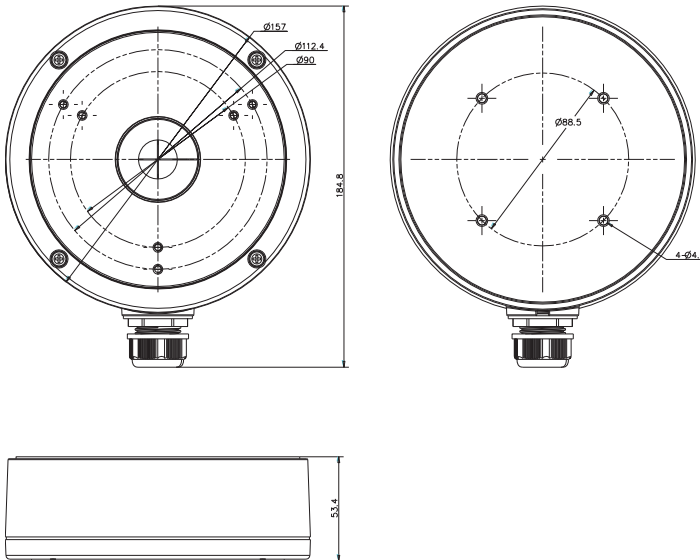
CBM	
Appearance	Hikvision white
Material	Aluminum alloy
Dimension	Φ157 mm × 51.5 mm (6.18" x 2.03")
Weight	620 g (21.87 ozs.)

- NOTES:**
- Install box on flat wall.
 - Waterproof rubber is necessary for outdoor application.
 - The wall must be capable of supporting over three times as much as the total weight of the camera and the box.
 - The maximum load capacity of the box is 4.5 kg.

Key Features

- Aluminum Alloy Material with Surface Spray Treatment
- Waterproof

Dimensions



NOTE: The actual dome camera may vary from the picture above.

Fits the Following Cameras

DS-2CE56D5T-IR3Z
DS-2CD23x2-1

Order Model

CBM