

CB120 Conduit Base for Dome Camera



	CB120
Appearance	Hikvision white
Range of Application	Conduit box for dome camera
Material	Aluminum alloy
Dimension	Φ 120 mm x 37.2 mm (Φ 4.72" x 1.46")
Weight	250 g (8.8 ozs)

NOTES:

The conduit base must be installed on a flat surface.

Waterproof rubber is required for outdoor application.

The wall must support at least three times the total weight of the camera and conduit base.

The maximum load capacity of the conduit base is 4.5 kg (9.92 lbs).

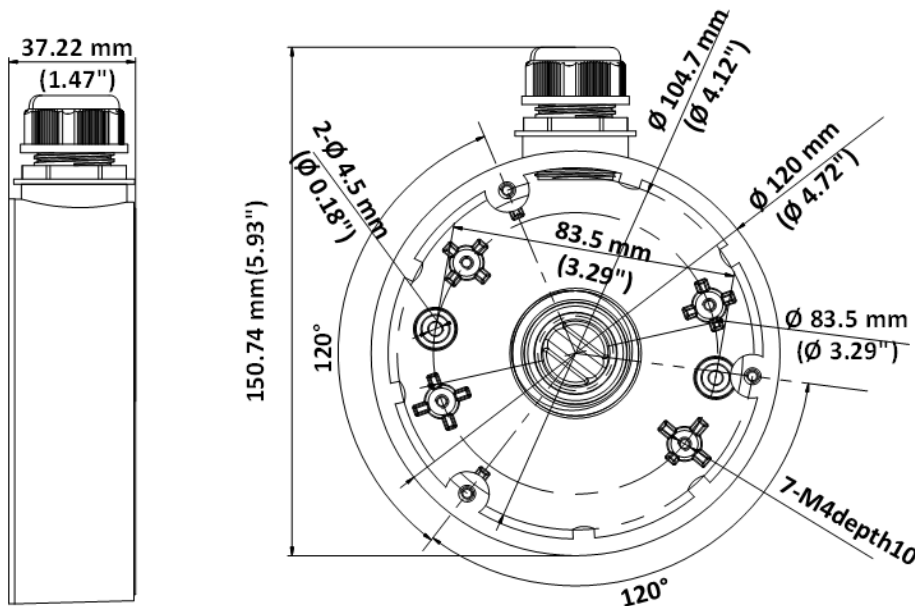
Features

- Aluminum Alloy Material with Surface Spray Treatment
- Bottom and Side Outlet
- Waterproof Design

Order Model

CB120: Hikvision white

Dimensions



NOTE: The actual bracket may vary from the picture above.