

DS-K1T671TM-3XF

Touchless Identity Authentication Terminal¹

Hikvision's DS-K1T671TM-3XF Touchless Identity Authentication Terminal is an access control device integrated with **HAT (High Accuracy Temperature)/EST (Elevated Skin Temperature)** screening. It can quickly measure skin-surface temperature and notify the user about abnormal readings. This product is perfect for many applications, including office buildings, transportation hubs, retail facilities, education centers, and many others.

Available Model: DS-K1T671TM-3XF

- Vanadium Oxide Uncooled Sensor Measures Target's Temperature
- Range: 86° to 113° F (30° to 45° C), Accuracy: $\pm 0.5^{\circ}$ C w/o Black Body Calibration
- Authentication Distance: 1' to 6' 7" (0.3 m to 2 m)
- Fast Temp. Measurement Mode: Detects Identity, Takes Skin-Surface Temp. w/o Identity Authentication
- Multiple Authentication Modes: Card/Temperature, Identity/Temperature, Card/Identity/Temperature, etc.
- Face Mask Detection: If Maskless Face Detected, Voice Reminder Prompt Sounds
 - Face Mask Alert: Authentication or Attendance Is Valid
 - Forced Mask Wearing Alert: Authentication or Attendance Fails
- Displays Temperature Measurement Results on Authentication Page
- Triggers Voice Prompt when Detecting Abnormal Temperature
- Configurable Door Status (Open/Close) when Detecting Abnormal Temperature
- Transmits Online and Offline Temperature Information to Client Software via TCP/IP Communication and Saves Data on Client Software
- Identity Authentication Duration < 0.2 s/User; Identity Authentication Accuracy Rate $\geq 99\%$
- 50,000 Identity Capacity, 50,000 Card Capacity, and 100,000 Event Capacity
- Suggested Height for Identity Authentication: Between 4' 7" and 6' 2" (1.4 m and 1.9 m)
- Attendance Status: Check In, Check Out, Break In, Break Out, Overtime In, Overtime Out
- Watchdog Design and Tamper Function
- Audio Prompt for Authentication Result
- NTP, Manual Time Synchronization, and Auto Synchronization
- Connects to External Access Controller or Wiegand Card Reader via Wiegand Protocol
- Connects To Secure Door Control Unit via RS-485 Protocol To Avoid Door Opening if Terminal Destroyed
- Imports and Export Data to the Device from the Client Software



¹**U.S. Disclaimer:** Hikvision Highly Accurate Thermographic Cameras and Terminals (HAT Cameras and Terminals) are not FDA-cleared or approved. The HAT Cameras and Terminals shall not be solely or primarily used as an effective diagnostic device for COVID-19. Elevated body temperature should be confirmed with secondary evaluation methods (e.g., an NCIT or clinical grade contact thermometer). Users, through their experience with the Hikvision HAT Cameras and Terminals in the particular environment of use, should determine the significance of any fever or elevated temperature based on the skin telethermographic temperature measurement. Visible thermal patterns are intended only for locating the points from which to extract the thermal measurement.

To ensure the accuracy of the human skin-surface temperature measurement, the technology shall be used to measure only one subject's temperature at a time and shall not be used to measure multiple individuals' temperatures simultaneously.

Canada Disclaimer: Hikvision Elevated Skin Temperature Cameras and Terminals (EST Cameras and Terminals) shall not be solely or primarily used as an effective diagnostic device for COVID-19. Elevated body temperature should be confirmed with secondary evaluation methods (e.g., a Health Canada approved contact thermometer). Users, through their experience with the Hikvision EST Cameras and Terminals in the particular environment of use, should determine the significance of any fever or elevated temperature based on the skin telethermographic temperature measurement. Visible thermal patterns are intended only for locating the points from which to extract the thermal measurement.

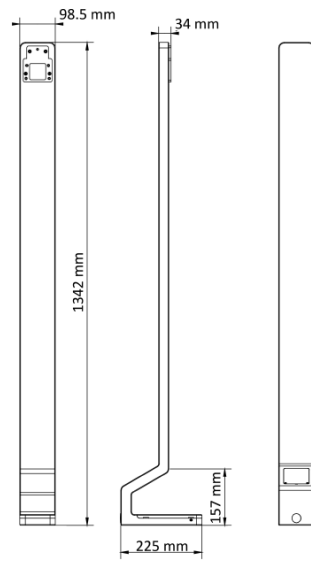
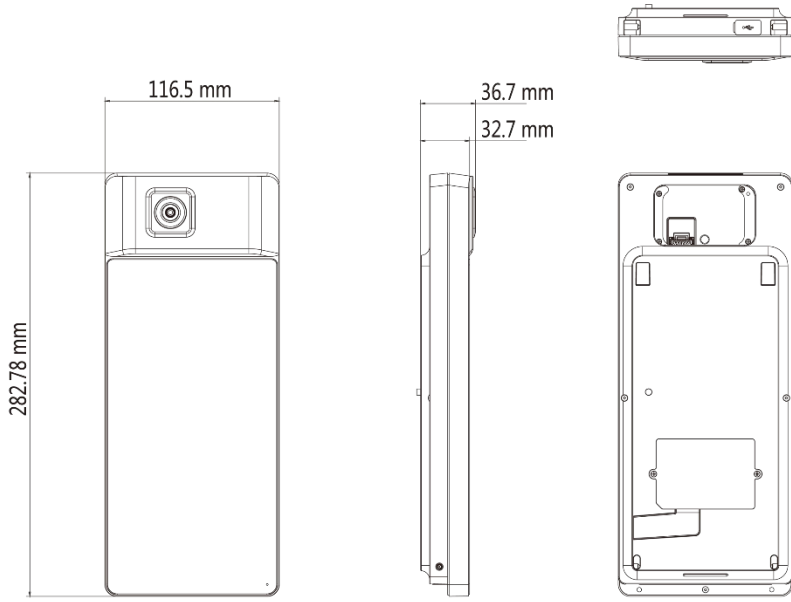
To ensure the accuracy of the human skin-surface temperature measurement, the technology shall be used to measure only one subject's temperature at a time and shall not be used to measure multiple individuals' temperatures simultaneously.

Specifications

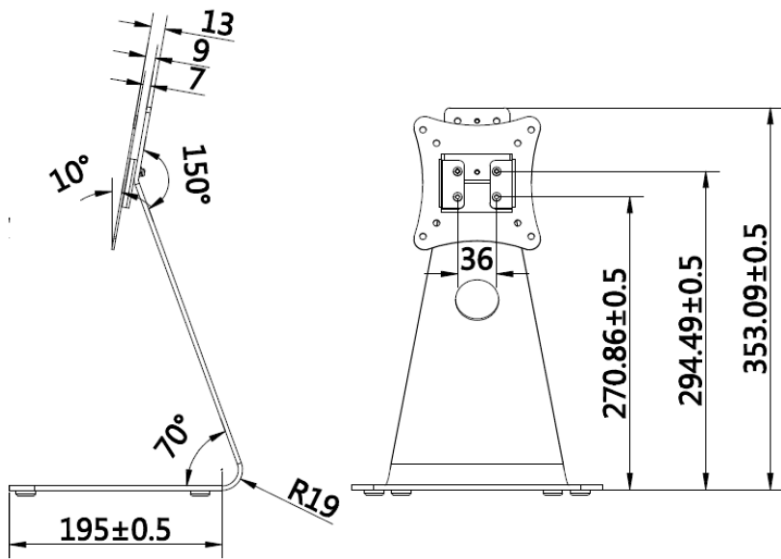
Model		DS-K1T671TM-3XF
Operating System		Linux
Temperature Measurement	Sensor	Vanadium oxide uncooled sensor
	Resolution	120 × 160
	Frame Rate	25 fps
	Temperature Range	86° to 113° F (30° to 45° C)
	Temperature Accuracy	±0.9° F (±0.5° C) without black body calibration
Measuring Distance		0.98 ft to 6.5 ft (0.3 m to 2 m)
Screen	Screen	7 inch touch screen
	Ratio	16:9
	Resolution	1024 × 600
Camera		2 MP dual-lens camera, WDR
Indicator		Supported
Identity	Authentication Mode	Identity: 1:1 and 1:N
	Identity Capacity	50,000
	Identity Authentication Duration	<0.2 s per person
	Identity Authentication Distance	0.98 ft to 6.5 ft (0.3 m to 2 m)
Card	Card Capacity	50,000
	Card Type	M1 card
	Card Presenting Duration	<1 s
	Card Presenting Distance	0" to 1.97" (0 cm to 5 cm)
Event Capacity		100,000
Interface		Network × 1, RS-485 × 1, Wiegand × 1, USB × 2, alarm output × 1, alarm input × 2, lock × 1, door contact × 1, exit button × 1, tamper × 1
Network		10/100/1000 Mbps self-adaptive
Tamper		Supported
Other	Working Voltage	12 VDC/2 A Power supply (DS-KP12V-3A): not included
	Working Temperature	32° to 122° F (0° to 50° C) For temperature measurement: 50° to 95° F (10° to 35° C)
	Working Humidity	10% to 90% (non-condensing)
	Application	Indoor
	Application Environment	Indoor and windless environment use only
	Brackets	Wall mount (included) Floor Stand (DS-KAB671-B): not included Desk Stand (DS-DM0701BL): not included

* **WARNING:** Do not expose the equipment to direct sunlight, low ventilation, or a heat source such as a heater or radiator (ignoring this warning can cause fire danger).

Dimensions



Floor Stand, DS-KAB671-B
(Not Included)



Desk Stand, DS-DM0701BL
(Not Included)