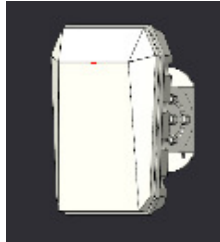
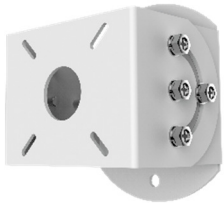
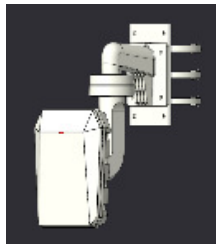
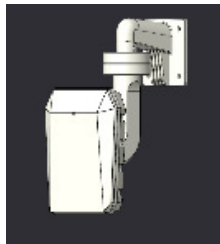


DS-PRB-xxx0 Radar Brackets

Hikvision's DS-PRB-xxx0 Radar Brackets are used to mount Hikvision radar devices.



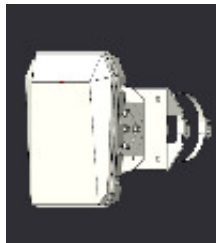
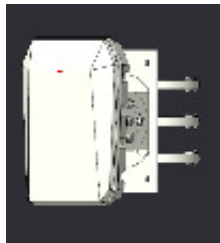
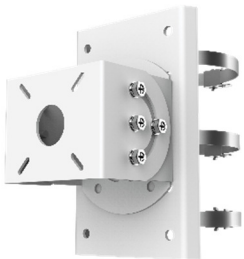
DS-PRB-1110
Wall Bracket for Vertical Installations



DS-PRB-1120
Auxiliary Bracket To Hide Cable



DS-PRB-1200
Pole Mount Bracket for Horizontal Installation



DS-PRB-1310
Pole Mount with Wall Bracket for Vertical Installation

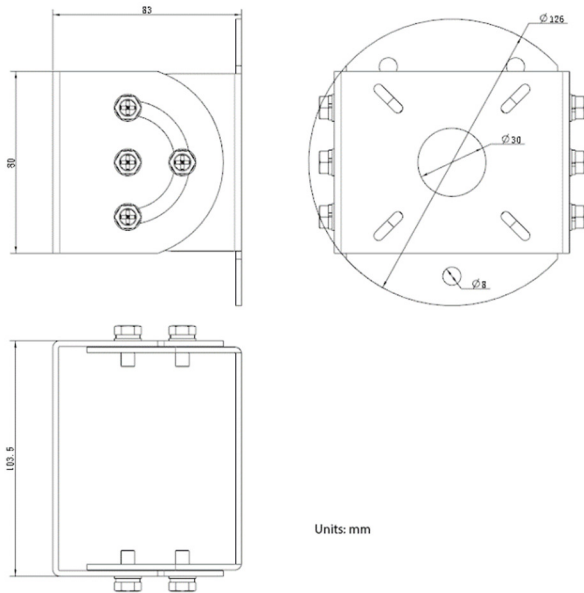


DS-PRB-2200
PTZ Radar Linkage Pole Mount Bracket

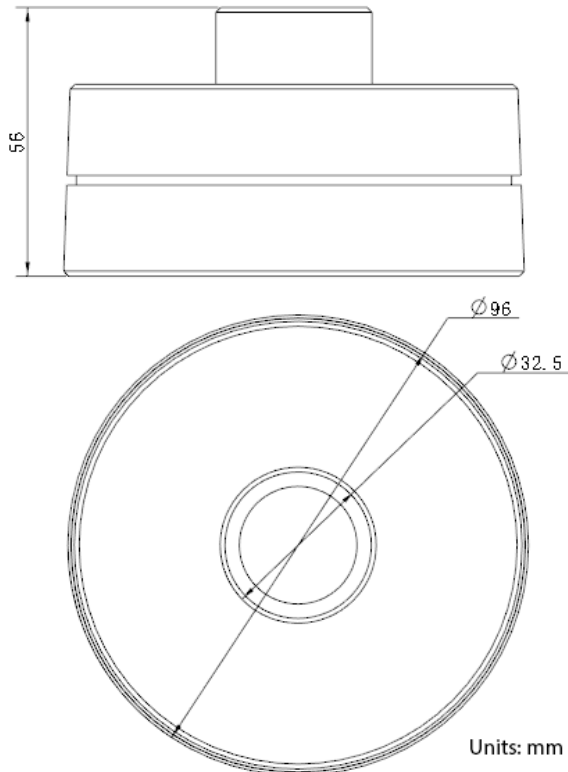
Specifications

	DS-PRB-1110	DS-PRB-1120	DS-PRB-1200	DS-PRB-1310	DS-PRB-2200
Shell Material	Steel	Aluminum alloy	Steel		
Dimensions (W x H x D)	7.9" x 5.1" x 4.5" (200 mm x 130 mm x 115 mm)	Ø3.78" x 2.2" (Ø96 mm x 56 mm)	4.7" x 5.1" x 3.3" (120 mm x 130 mm x 85 mm)	7.9" x 5.1" x 2.8" (200 mm x 130 mm x 70 mm)	7.9" x 5.1" x 6.3" (200 mm x 130 mm x 160 mm)
Weight	800 g	220 g	1200 g	2000 g	2100 g
Color	White				
Bracket Description	Vertical wall mount	Auxiliary to hide cable	Mount for horizontal pole installation	Mount with wall bracket for vertical pole installation	PTZ radar linkage pole bracket

Dimensions

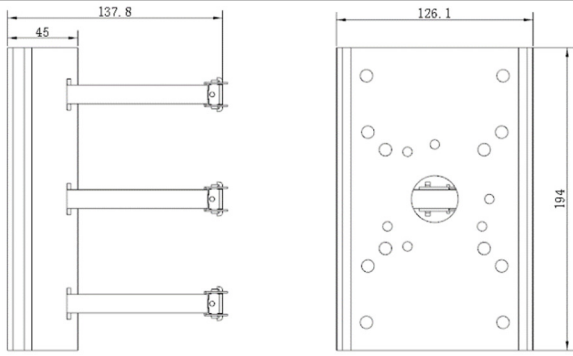


DS-PRB-1110

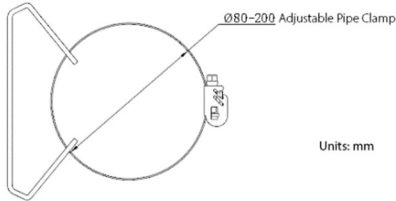


DS-PRB-1120

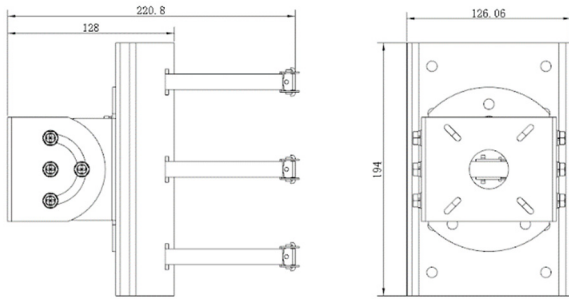
Dimensions (continued)



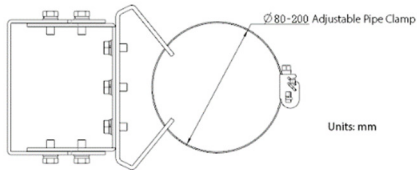
DS-PRB-1200



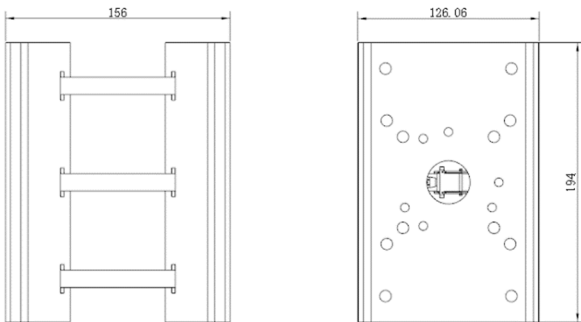
Units: mm



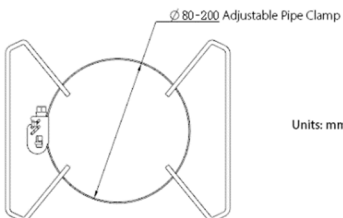
DS-PRB-1310



Units: mm



DS-PRB-2200



Units: mm