

PC110TB

Pendant Cap for Dome Camera



- Aluminum Alloy Material with Surface Spray Treatment
- Waterproof Design

Specifications

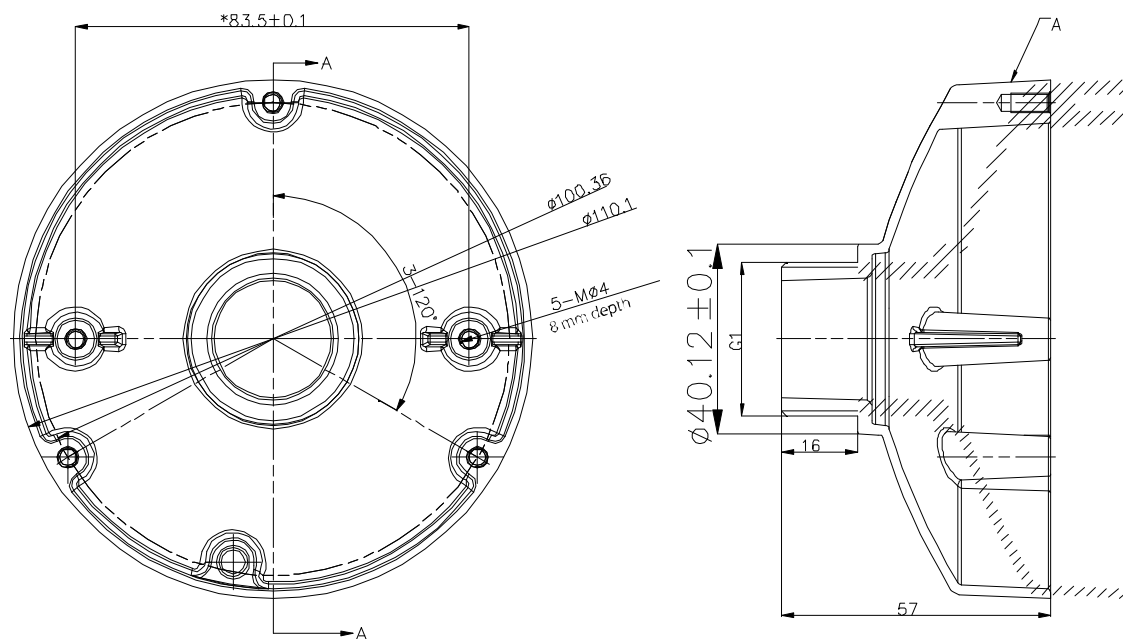
PC110TB	
Appearance	Black
Range of Application	Pendant cap for dome camera
Material	Aluminum alloy
Dimension	4.33" x 2.244" (110 mm x 57 mm)
Weight	4.66 oz (132 g)

NOTE: Pay attention to color matching.

Order Model

PC110TB

Dimensions



NOTE: The actual bracket may vary from the picture above.