

PC140PT

Dome Camera Pendant Cap

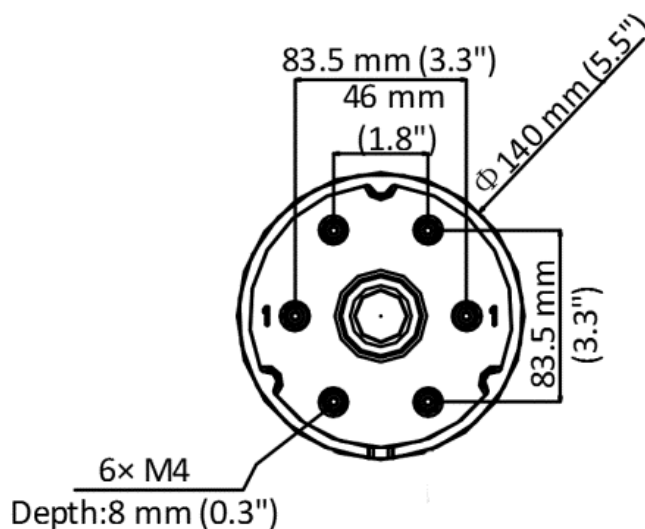
- Aluminum Alloy Material with Surface Spray Treatment
- Lower Bowl Facilitates Installation
- Waterproof Design

Install the bracket on the flat surface of a wall. The wall must be capable of supporting at least three times the total load of the camera and the mount. The maximum load capacity of the mount is 3 kg.

Available Model: PC140PT



Dimensions



Specifications

	PC140PT
Description	Dome camera pendant cap
Appearance	Hikvision white
Material	Aluminum alloy
Thread	G1
Dimensions	Φ5.5" × 2.56" (Φ140 mm × 65 mm)
Weight	1.1 lb (520 g)