

## PC210

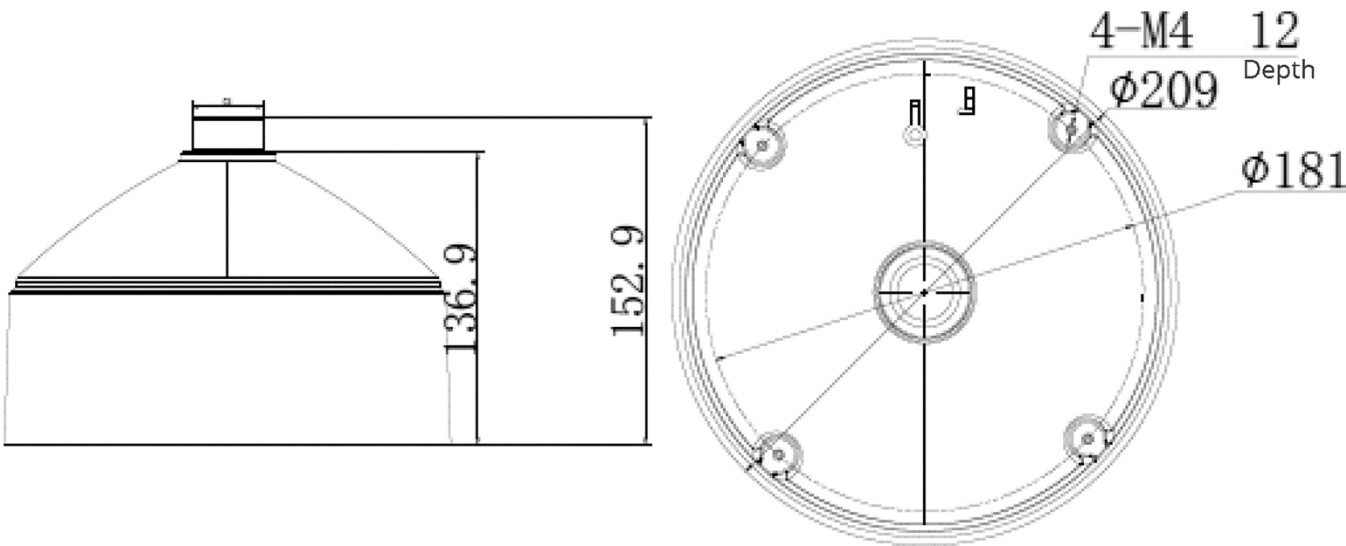
### Pendant Cap for DS-2CD6986F-H Dome Camera

- Aluminum Alloy Material with Surface Spray Treatment
- Waterproof Design
- Designed for Convenient Wiring
- Fits Multi-Sensor Camera DS-2CD6986F-H



Available Model: PC210

### Dimensions



### Specifications

PC210	
Description	Pendant cap for dome camera
Appearance	Hikvision white
Material	Aluminum Alloy
Dimensions	Φ8.23" x 6.27" (Φ209 mm x 159.2 mm)
Weight	28.1 ozs (796 g)