

WMP-S Short Arm Wall Mount Bracket



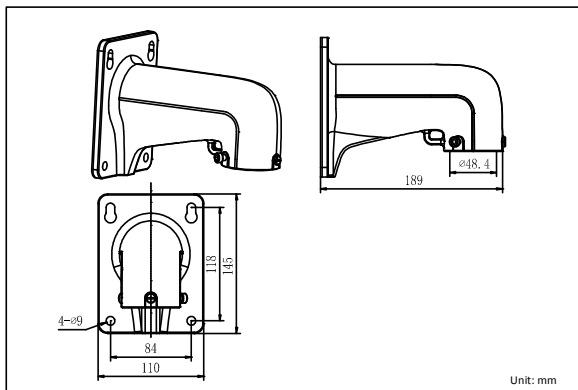
	WMP-S
Appearance	Hikvision white
Range of Application	For speed dome wall mount
Material	Aluminum alloy
Dimensions	110 mm × 145 mm × 189 mm (4.33" x 5.71" x 7.44")
Weight	550 g (19.4 ozs)

Features

- Aluminum Alloy Material with Surface Spray Treatment
- Exquisite Small Design
- Safety Rope for Convenient Installation

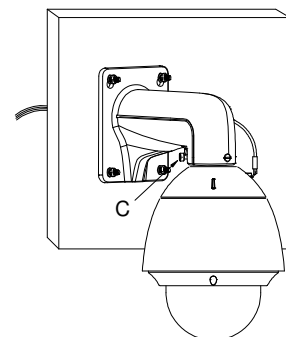
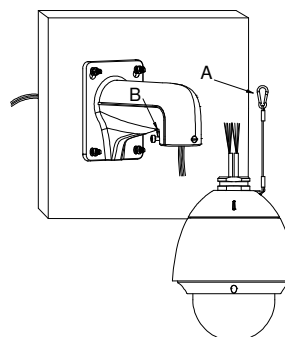
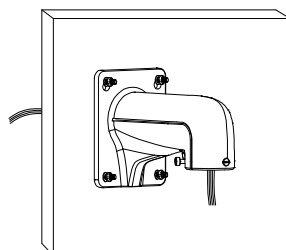
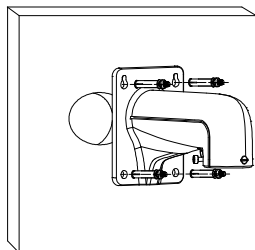
NOTES: Install bracket on flat wall.
Load capacity of pole should be more than three times the weight of camera and bracket.
Load capacity of clamp is 30 kg (66.14 lbs).

Dimensions



Installation

1. Choose appropriate wall for bracket installation.
2. Thread the cable.
3. Tie the safety rope to hook and thread the cable.
4. Install the speed dome and screw the set screw; installation complete.



NOTE: The actual bracket may vary from the picture above.

Order Model

WMP-S