

DS-U102 2 MP Video Conference Camera



- 2 MP CMOS
- High quality imaging with 1920 × 1080 resolution
- 3.1 mm to 15.5 mm varifocal lens, auto focus
- Min. Illumination: 0.1 Lux @ (F1.2, AGC ON)
- Clear imaging against strong back light due to 120 dB true WDR technology
- AGC for self-adaptive brightness
- Support remote control
- Built-in microphone with clear sound



▪ Specification

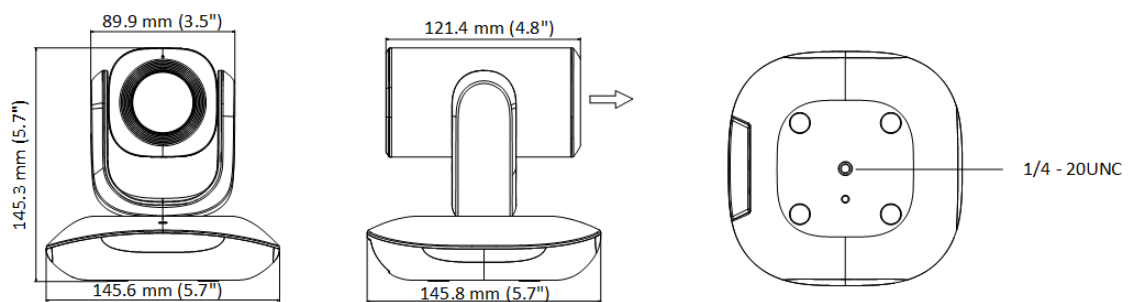
Camera	
Image Sensor	2 MP CMOS
Signal System	PAL/NTSC
Max. Resolution	1920 × 1080
Frame Rate	MJPEG: 640×480@30fps/25fps 160×120@30fps/25fps 176×144@30fps/25fps 320×240@30fps/25fps 352×288@30fps/25fps 432×240@30fps/25fps 640×360@30fps/25fps 800×448@30fps/25fps 800×600@30fps/25fps 864×480@30fps/25fps 960×720@30fps/25fps 1024×576@30fps/25fps 1280×720@30fps/25fps 1920×1080@30fps/25fps YUV: 640×480@30fps 160×120@30fps 176×144@30fps 320×240@30fps 352×288@30fps 432×240@30fps 640×360@30fps 800×448@30fps 800×600@25fps 864×480@29fps 960×720@17fps 1024×576@20fps 1280×720@13fps 1600×896@8fps 1920×1080@5fps
Min. Illumination	0.1 Lux @ (F1.2, AGC ON)
Shutter Time	PAL: 1/25 s to 1/50,000 s NTSC: 1/30 s to 1/50,000 s
Lens	3.1 mm to 15.5 mm varifocal lens
Field of View	Horizontal FOV: 84.9° to 20.8° Vertical FOV: 92.8° to 23.8° Diagonal FOV: 94° to 23.8°
Day & Night	Color
Wide Dynamic Range	≥120 dB

Pickup Distance	5 m
Angle Adjustment	Pan: -170° to 160°, Tilt:-28° to 28°
Cable Length	4.5 m
Audio	
Audio Sampling Rate	48 kHz
Interface	
Video Output	USB 2.0
Audio Input	Built-in Mic
Operating System	Windows XP/7/10, Android, Linux, Mac OS
General	
Operating Conditions	-10°C to 50°C (-40°F to 122°F); Humidity: 90% or less (non-condensing)
Power Supply	DC12V±10%
Consumption	5.7 W MAX
Dimension	145.3 mm × 145.6 mm × 145.8 mm (5.7" × 5.7" × 5.7")
Weight	Approx. 925 g (2.04 lb.)
Function	
LED Indicator	Red: Standby Blue: Normally Working Blue Light Flashes Twice: Preset Setting Completed Red Light Flashes Three Times: Restore to Factory Settings.
White Balance	Auto
Accessory	
Packing List	Camera (including lens cover) × 1 Remote Control × 1 Power Adapter × 1 Cable × 1 Bracket × 1 Screws × 1 Quick Start Guide × 1

▪ Available Model

DS-U102

▪ Dimension



Distributed by

**HIKVISION®****Headquarters**

No.555 Qianmo Road, Binjiang District,
Hangzhou 310051, China
T +86-571-8807-5998
overseasbusiness@hikvision.com

Hikvision USA
T +1-909-895-0400
sales.usa@hikvision.com

Hikvision Australia
T +61-2-8599-4233
salesau@hikvision.com

Hikvision India
T +91-22-28469900
sales@pramahikvision.com

Hikvision Canada
T +1-866-200-6690
sales.canada@hikvision.com

Hikvision Thailand
T +662-275-9949
sales.thailand@hikvision.com

Hikvision Europe
T +31-23-5542770
sales.eu@hikvision.com

Hikvision Italy
T +39-0438-6902
info.it@hikvision.com

Hikvision Brazil
T +55 11 3318-0050
Latam.support@hikvision.com

Hikvision Turkey
T +90 (216)521 7070- 7074
sales.tr@hikvision.com

Hikvision Malaysia
T +601-7652-2413
sales.my@hikvision.com

Hikvision UK & Ireland
T +01628-902140
sales.uk@hikvision.com

Hikvision South Africa
Tel: +27 (10) 0351172
sale.africa@hikvision.com

Hikvision France
T +33(0)1-85-330-450
info.fr@hikvision.com

Hikvision Kazakhstan
T +7-727-9730667
nikia.panfilov@hikvision.ru

Hikvision Vietnam
T +84-974270888
sales.vt@hikvision.com

Hikvision UAE
T +971-4-4432090
salesme@hikvision.com

Hikvision Singapore
T +65-6684-4718
sg@hikvision.com

Hikvision Spain
T +34-91-737-16-55
info.es@hikvision.com

Hikvision Tashkent
T +99-87-1238-9438
uzb@hikvision.ru

Hikvision Hong Kong
T +852-2151-1761
info.hk@hikvision.com

Hikvision Russia
T +7-495-669-67-99
sateru@hikvision.com

Hikvision Korea
T +82-(0)31-731-8817
sales.korea@hikvision.com

Hikvision Poland
T +48-22-460-01-50
info.pl@hikvision.com

Hikvision Indonesia
T +62-21-2933759
Sales.Indonesia@hikvision.com

Hikvision Colombia
sales.colombia@hikvision.com