

DS-2AE4225T-D3

2 MP Turbo 4-Inch Speed Dome



- 1/2.8" HD Progressive Scan CMOS
- 1920 x 1080 Resolution
- 25x Optical Zoom, 16x Digital Zoom
- 120 dB True WDR (Wide Dynamic Range)
- 3D Intelligent Positioning
- Switchable TVI/AHD/CVI/CVBS Video Output

Hikvision's DS-2AE4225T-D3 2 MP Turbo 4-Inch Speed Dome is able to capture high quality images in poor light environments. The embedded CMOS chip makes WDR and real-time 1920 × 1080 resolution possible. With the help of the 25x optical zoom, and IR cut filter, the camera offers more details over an expansive area.

Order Model

DS-2AE4225T-D3

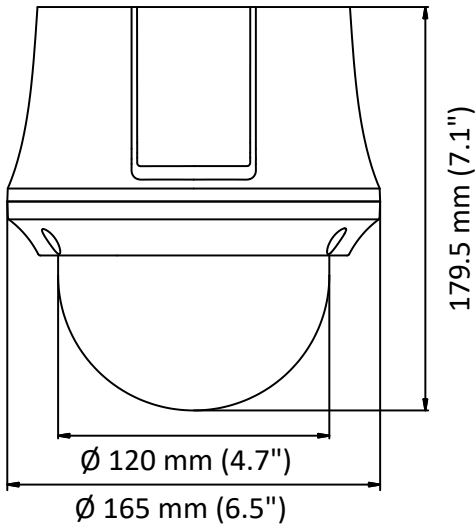


Specifications

DS-2AE4225T-D3	
Camera	
Image Sensor	1/2.8" progressive scan CMOS
Maximum Image Resolution	1920 × 1080
Frame Rate	50 Hz: 25 fps @ (1920 × 1080) 60 Hz: 30 fps @ (1920 × 1080)
Minimum Illumination	Color: 0.005 lux @ (f/1.6, AGC on) B/W: 0.001 lux @ (f/1.6, AGC on)
White Balance	Auto/manual/hauto/ATW/indoor/outdoor
AGC	Auto/manual
DNR	3D DNR
WDR	≥120 dB
Shutter Speed	PAL: 1/1 s to 1/10,000 s NTSC: 1/1 s to 1/10,000 s
Day/Night	IR cut filter
Digital Zoom	16x
Privacy Mask	8 programmable privacy masks
BLC (Backlight Compensation)	Yes
HLC (High Light Compensation)	Yes
EIS (Electric Image Stabilization)	Yes
Regional Focus	Yes
Lens	
Focus Mode	Auto/semi-auto/manual
Focal Length	4.8 mm to 120 mm, 25x optical
Aperture Range	f/1.6 to f/3.5
Field of View	Horizontal field of view: 57.6° to 2.5° (wide to tele) Vertical field of view: 34.4° to 1.4° (wide to tele) Diagonal field of view: 64.5° to 2.9° (wide to tele)
Minimum Working Distance	10 mm to 1500 mm (wide to tele)
Zoom Speed	Approximately 3.6 s (optical, wide to tele)
Pan and Tilt	
Pan Range	360° endless
Pan Speed	Pan manual speed: 0.1° to 100°/s Pan preset speed: 100°/s
Tilt Range	-5° to 90° (auto flip)
Tilt Speed	Tilt manual speed: 0.1° to 80°/s Tilt preset speed: 80°/s
Proportional Zoom	Rotation speed can be adjusted automatically according to zoom multiples
Presets	256
Patrol	10 patrols, up to 32 presets per patrol
Pattern	5 patterns, with the total recording time no less than 10 minutes
Power-Off Memory	Yes
Park Action	Preset/patrol/pattern/pan scan/tilt scan/panorama scan/day mode/night mode/none
PTZ Position Display	ON/OFF
Scheduled Task	Preset/patrol/pattern/pan scan/tilt scan/panorama scan/day mode/night mode/zero calibration/none
Preset Freezing	Yes
Input/Output	
Video Output	Switchable TVI/AHD/CVI/CVBS video output, (NTSC or PAL composite, BNC)
Alarm	2 alarm inputs, 1 alarm output
RS-485 Interface	Half-duplex mode Self-adaptive HIKVISION, Pelco-P, Pelco-D protocol
UTC function	UTC protocol (or HIKVISION-C protocol in previous DVR)
General	
Menu Language	English
Power	12 VDC, maximum 12 W
Working Temperature	-30° to 65° C (-22° to 149° F)
Working Humidity	90% or less, non-condensing
Protection Level	TVS 4,000 V lightning protection, surge protection and voltage transient protection
Mounting	Various mounting modes optional
Dimensions	DS-2AE4225T-D3(D) (indoor): Ø165 mm × 179.5 mm (Ø 6.5" × 7.1") DS-2AE4225T-D3(D) (in-ceiling): Ø165 mm × 168 mm (Ø 6.5" × 6.6")
Weight (approximate)	2 kg (4.41 lb)

Dimensions

Indoor



Inceiling

