

## DS-2CD5A46G0-IZ/UH

### 4 MP Varifocal Ultra-Low Temperature Bullet Camera

## DarkFighter™



- 1/1.8" Progressive Scan CMOS
- 2560 × 1440 @ 30 fps
- 2.8 to 12 mm Motorized Lens
- H.265, H.265+, H.264, H.264+
- 5 Defined Streams and up to 5 Custom Streams
- Start Up and Operate in Low Temperature, from -76° F (-60° C)
- 140 dB WDR
- IP67
- Built-in MicroSD/SDHC/SDXC Card Slot, up to 256 GB

The camera's low-temperature resistance works in environments as low as -76° F (-60° C) by heating the chip and sensor components and an improved internal heating cycle design. The camera also supports front glass heating and a defog function.

Smooth streaming offers solutions to improve video quality in different network conditions. For example, in poor network conditions, adapting to the detected real-time network condition, streaming bit rate and resolution are automatically adjusted to avoid mosaic and lower latency in live view; in multiplayer network conditions, the camera transmits redundant data for self-error correcting in the back-end device to solve the mosaic problem due to packet loss and error rate.

Metadata of intrusion detection, line crossing detection, region entrance detection, region exiting detection, unattended baggage detection, and object removal are supported.

Metadata uses individual instances of application data or the data content. Metadata can be used for third-party application development.

#### Available Models:

DS-2CD5A46G0-IZ/UH: 2.8 mm to 12 mm lens



Smooth Streaming



Stream Encryption



IP67



WDR



HEOP



# Specifications

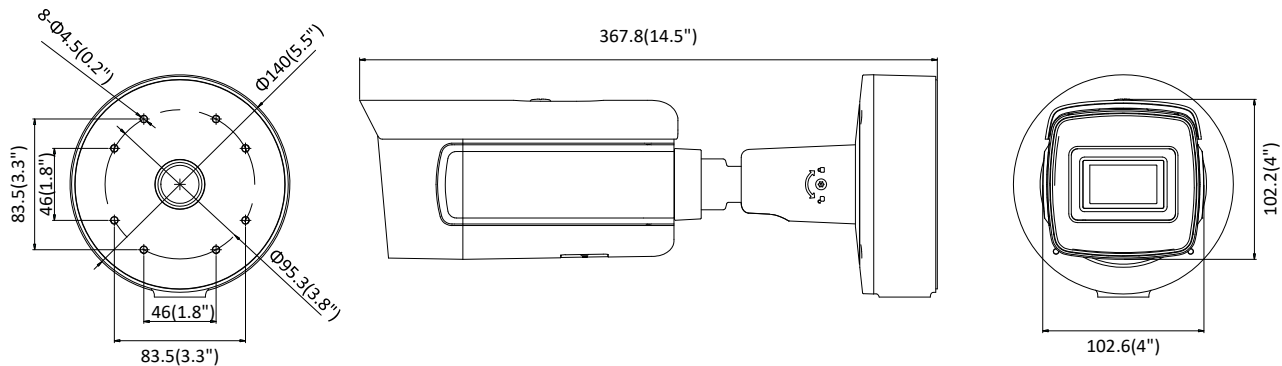
DS-2CD5A46G0-IZ/UH	
<b>Camera</b>	
Image Sensor	1/1.8" progressive scan CMOS
Minimum Illumination	Color: 0.0036 lux @ (f/1.6, AGC on), 0 lux with IR
Shutter Speed	1 s to 1/100,000 s
Slow Shutter	Yes
Day/Night	IR cut filter
Wide Dynamic Range	140 dB
Angle Adjustment	Bracket, pan: 0° to 355°, tilt: 0° to 90°, rotate: 0° to 360°
<b>Lens</b>	
Lens Type	Motorized lens, 2.8 to 12 mm
Aperture	f/1.6
Focus	Semi-auto
FOV	Horizontal FOV 103.9° to 44.3°, vertical FOV 56.3° to 24.8°, diagonal FOV 122° to 51°
Lens Mount	Ø14
<b>Illuminator</b>	
IR Range	Up to 50 m
Wavelength	850 nm
<b>Video<sup>1</sup></b>	
Maximum Resolution	2560 × 1440
Video Stream	5 defined streams and up to 5 custom streams
Main Stream	30 fps (2560 × 1440, 1920 × 1080, 1280 × 720)
Sub Stream	30 fps (704 × 480, 640 × 480)
Third Stream	30 fps (1920 × 1080, 1280 × 720, 704 × 480, 640 × 480)
Fourth Stream	30 fps (1920 × 1080, 1280 × 720, 704 × 480, 640 × 480)
Fifth Stream	30 fps (704 × 480, 640 × 480)
Custom Stream	30 fps (1920 × 1080, 1280 × 720, 704 × 480, 640 × 480)
Video Compression	Main stream: H.265/H.264/H.265+/H.264+ Sub stream/third stream/fourth stream/fifth stream/custom stream: H.265/H.264/MJPEG
H.264 Type	Baseline Profile/Main Profile/High Profile
H.264+	Main stream supports
H.265 Type	Main Profile
H.265+	Main stream supports
Video Bit Rate	32 Kbps to 16 Mbps
Scalable Video Coding (SVC)	H.265 and H.264 support
<b>Smart Features</b>	
Smart Events	Line crossing detection, up to 4 lines configurable; intrusion detection, up to 4 regions configurable; region entrance detection, up to 4 regions configurable; region exiting detection, up to 4 regions configurable; unattended baggage detection, up to 4 regions configurable; object removal detection, up to 4 regions configurable; face detection: detects faces and upload images; scene change detection, defocus detection
Basic Event	Motion detection, video tampering alarm, exception (network disconnected, IP address conflict, illegal login, HDD full, HDD error)
Statistics	Counting
Linkage Method	Upload to FTP/NAS/memory card, notify surveillance center, send e-mail, trigger recording, trigger capture
Region of Interest	Main stream/sub stream/third stream/fourth stream/fifth stream: 4 fixed regions for each stream and dynamic face tracking
<b>Image</b>	
Image Enhancement	BLC, HLC, 3D DNR, Defog, EIS, Distortion Correction
Image Setting	Rotate mode, saturation, brightness, contrast, sharpness, AGC, and white balance are adjustable by client software or Web browser
Target Cropping	Yes
Day/Night Switch	Day/night/auto/schedule
Picture Overlay	LOGO picture can be overlaid on video with 128 × 128 24-bit bmp format
<b>Network</b>	
Network Storage	MicroSD/SDHC/SDXC card (256 GB), local storage and NAS (NFS, SMB/CIFS), ANR Together with high-end Hikvision memory card, memory card encryption, and health detection are supported
API	ONVIF (PROFILE S, PROFILE G), ISAPI, SDK
Protocols	TCP/IP, ICMP, HTTP, HTTPS, FTP, DHCP, DNS, DDNS, RTP, RTSP, RTCP, PPPoE, NTP, UPnP, SMTP, SNMP, IGMP, 802.1x, QoS, IPv6, UDP, Bonjour, SSL/TLS
Smooth Streaming	Yes
Security Measures	Password protection, complicated password, HTTPS encryption, 802.1x authentication (EAP-TLS, EAP-LEAP, EAP-MD5), watermark, IP address filter, basic and digest authentication for HTTP/HTTPS, WSSE and digest authentication for ONVIF, RTP/RTSP over HTTPS, control timeout settings, security audit log, TLS 1.2
Simultaneous Live View	Up to 20 channels
User/Host	Up to 32 users. 3 user levels: administrator, operator, and user
Client	iVMS-4200, Hik-Connect, Hik-Central
Web Browser	Plug-in required live view: IE8+, Chrome 41.0–44, Mozilla Firefox 30.0–51, Safari8.0–11 Plug-in free live view: Chrome 45+, Mozilla Firefox52+
<b>Interface</b>	
Communication Interface	1 RJ-45 10M/100M/1000M Ethernet port
Video Output	1Vp-p composite output (75 Ω/CVBS), only for adjustment
On-Board Storage	Built-in microSD/SDHC/SDXC slot, up to 256 GB

<sup>1</sup>Listed resolutions are only selectable options; it does not mean that all streams can work at their maximum resolution at the same time.

## Specifications (continued)

General	
Firmware Version	v5.5.92
Web Client Language	32 languages: English, Russian, Estonian, Bulgarian, Hungarian, Greek, German, Italian, Czech, Slovak, French, Polish, Dutch, Portuguese, Spanish, Romanian, Danish, Swedish, Norwegian, Finnish, Croatian, Slovenian, Serbian, Turkish, Korean, Traditional Chinese, Thai, Vietnamese, Japanese, Latvian, Lithuanian, Portuguese (Brazil)
Embedded Open Platform	Yes. The camera supports installation and running up to 4 extra applications.
General Function	Anti-flicker, 5 streams and up to 5 custom streams, heartbeat, mirror, password protection, privacy mask, flash log, password reset via e-mail, pixel counter, control timeout setting
Reset	Reset via reset button on camera body, web browser and client software
Startup and Operating Conditions	-76° to 140° F (-60° to 60° C), humidity 95% or less (non-condensing)
Storage Conditions	-22° to 140° F (-30° to 60° C), humidity 95% or less (non-condensing)
Power Supply	12 VDC $\pm$ 10%, three-core terminal block, reverse polarity protection (power supply not included)
Power Consumption and Current	12 VDC, 3.84 A, maximum 46 W
Heater	Yes
Material	Metal
Dimensions	Camera: $\varnothing$ 140 mm $\times$ 368 mm ( $\varnothing$ 5.5" $\times$ 14.5") With package: 15.9" $\times$ 7.5" $\times$ 7.1" (405 mm $\times$ 190 mm $\times$ 180 mm)
Weight	Camera: approximately 5.1 lb (1.9 kg) With package: approximately 6.6 lb (2.45 kg)
Approvals	
EMC	47 CFR Part 15, Subpart B; EN 55032: 2015, EN 61000-3-2: 2014, EN 61000-3-3: 2013, EN 50130-4: 2011 +A1: 2014
Safety	EN 60950-1:2005 + Am 1:2009 + Am 2:2013
Chemistry	2011/65/EU, 2012/19/EU, Regulation (EC) No 1907/2006
Protection	Ingress protection: IP67 (IEC 60529-2013)

## Dimensions



## Accessories (Not Included)

