

DS-2CD6W45G0-IVS

4 MP Corner-Mounted Vandal Resistant Camera



Hikvision's DS-2CD6W45G0-IVS 4 MP Corner-Mounted Vandal Resistant Camera features a 1/2-inch progressive scan CMOS sensor that provides 2400 x 1800 resolution at 30 fps. True 120 dB WDR ensures optimum image quality under demanding lighting conditions. Other highlights include a 33 foot (10 meter) IR range and a built-in microphone. The IP67, IK10+ (50J) rating protect the camera from environmental elements and vandalism, making the camera ideal for use in prisons, hospitals, and other challenging locations.

Available Model

DS-2CD6W45G0-IVS

- 1/2" Progressive Scan CMOS
- 135° Large FOV, No Blind Spots
- Maximum 4 MP (2400 × 1800) @ 30 fps
- 120 dB WDR
- Up to 33 ft (10 m) IR Range (940 nm Wavelength)
- Built-in Microphone
- IP67 Ingress Protection and IK10+ (50J) Vandal Resistance
- NEMA 4X Anti-Corrosion Protection



Specifications

DS-2CD6W4560-IVS	
Camera	
Image Sensor	1/2" progressive scan CMOS
Minimum Illumination	Color: 0.082 lux @ (f/2.4, AGC on), B/W: 0.016 lux @ (f/2.4, AGC on), 0 lux with IR
Shutter Speed	1 s to 1/100,000 s
Slow Shutter	Yes
Day/Night	IR cut filter
Digital Noise Reduction	3D DNR
WDR	120 dB
Lens	
Focal Length	2 mm
Aperture	f/2.4
FOV	Horizontal FOV 135° (corner mount)
Lens Mount	M12
IR	
IR Range	Up to 33 ft (10 m) IR range, 1 LED
Wavelength	940 nm
Compression Standard	
Video Compression	Main stream: H.265+ /H.265/H.264+ /H.264 Sub stream: H.265/H.264/MJPEG
H.264 Type	Baseline Profile/Main Profile/High Profile
H.264+	Main stream supports
H.265 Type	Main Profile
H.265+	Main stream supports
Video Bit Rate	32 Kbps to 16 Mbps
SVC	H.265 and H.264 support
Smart Features	
Behavior Analysis	Line crossing detection, intrusion detection, region entrance detection, region exiting detection, unattended baggage detection, object removal detection
Exception Detection	Audio exception detection
Region of Interest	4 fixed regions for main stream and sub-stream
Image	
Maximum Resolution	2400 × 1800
Main Stream	50 Hz: 25 fps (2400 × 1800, 1280 × 1280)
Maximum Frame Rate	60 Hz: 30 fps (2400 × 1800, 1280 × 1280)
Sub Stream	50 Hz: 25 fps (720 × 720, 720 × 480)
Maximum Frame Rate	60 Hz: 30 fps (720 × 720, 720 × 480)
Image Enhancement	BLC, HLC, defog, 3D DNR
Image Setting	Saturation, brightness, contrast, sharpness, AGC and white balance are adjustable by client software or Web browser
Day/Night Switch	Day/Night/Auto/Schedule/Triggered by Alarm In
Picture Overlay	Logo picture can be overlaid on video in 128 × 128 24-bit bmp format
Live View Display	
Mount Type	Supports corner mounting
Audio	
Environment Noise Filtering	Yes
Audio Sampling Rate	8 kHz/16 kHz
Audio Compression	G.711/G.722.1/G.726/MP2L2/PCM
Audio Bit Rate	64 Kbps (G.711)/16 Kbps (G.722.1)/16 Kbps (G.726)/32–160 Kbps (MP2L2)
Network	
Network Storage	Supports microSD/SDHC/SDXC card (256 GB), local storage and NAS (NFS, SMB/CIFS), ANR
Alarm Trigger	Motion detection, video tampering alarm, network disconnected, IP address conflicted, illegal login, HDD full, HDD error
Protocols	TCP/IP, ICMP, HTTP, HTTPS, FTP, DHCP, DNS, DDNS, RTP, RTSP, RTCP, PPPoE, NTP, UPnP, SMTP, SNMP, IGMP, 802.1x, QoS, IPv6, UDP, Bonjour
Security Measure	Password protection, HTTPS encryption, IEEE 802.1x port-based network access control, IP address filter, basic and digest authentication for HTTP/HTTPS, WSSE and digest authentication for ONVIF
General Function	One-key reset, anti-flicker, heartbeat, mirror, password protection, privacy mask, watermark, IP address filter
Firmware Version	v.5.5.73
API	Open Network Video Interface (PROFILE S, PROFILE G), ISAPI
Simultaneous Live View	Up to 20 channels
User/Host	Up to 32 users. 3 user levels, administrator, operator, and user
Client	iVMS-4200, iVMS-4500, Hik-Connect
Web Browser	IE8+, Chrome31.0–44, Firefox 30.0–51, Safari 8.0+

Specifications (continued)

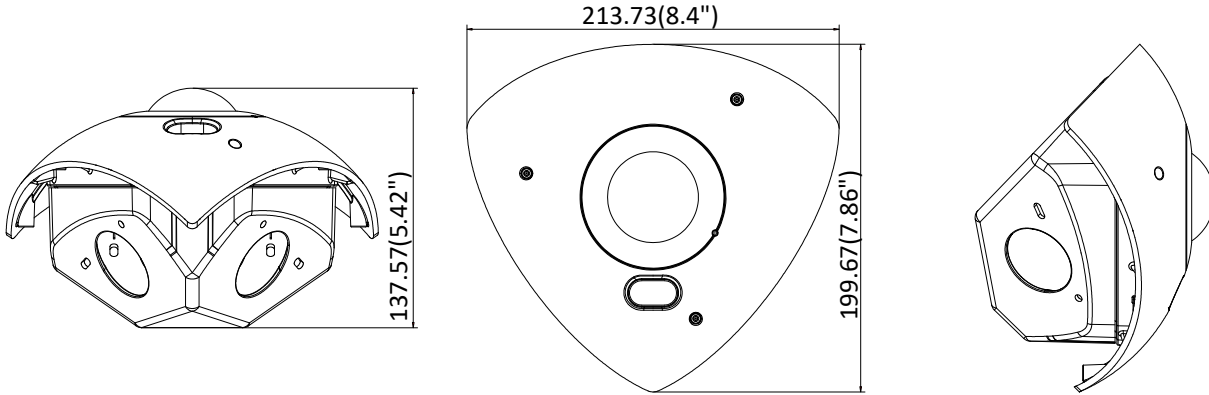
DS-2CD6W4560-IVS	
Interface	
Communication Interface	1 RJ-45 10M/100M/1000M self-adaptive Ethernet port
Audio	1 Audio input (line in, 3.5 mm), 1 audio output (line out, 3.5 mm) 1 built-in microphone
Alarm	1-ch alarm input, maximum 12 V; 1-ch alarm output, maximum 24 VDC, 1 A
On-Board Storage	Built-in microSD/SDHC/SDXC slot, up to 256 GB
Reset Button	Yes
General	
Operating Conditions	-40° to +60° C (-40° to +140° F), humidity 95% or less (non-condensing)
Power Supply	12 VDC ±20%, PoE (802.3af, class 0) Two-core terminal block
Power Consumption	12 VDC, 0.9 A, maximum 11 W PoE (802.3af, 36 to 57 V), 0.3 A to 0.2 A, maximum 12 W
Protection Level	IP67, IK10+ (50J)
Material	Metal
Dimensions	213.73 mm × 199.67 mm × 137.57 mm (8.4" × 7.86" × 5.42")
Weight	4.34 lb (1970 g)
Approvals	
Anti-Corrosion Protection	NEMA 4X Exterior environments: industrial areas with high humidity and aggressive atmosphere and coastal areas with high salinity; interior environments: buildings or areas with almost permanent condensation and with high pollution

DORI

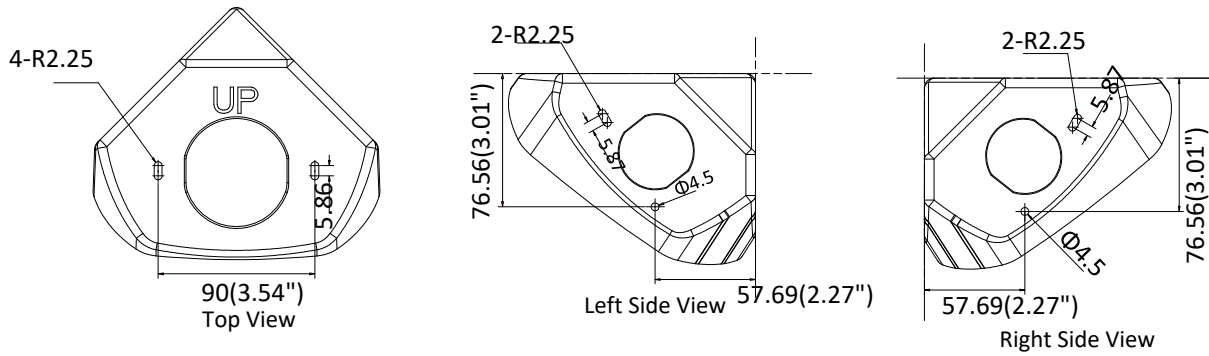
The DORI (detect, observe, recognize, identify) distance gives the general idea of the camera ability to distinguish persons or objects within its field of view. It is calculated based on the camera sensor specification and the criteria given by EN 62676-4: 2015.

DORI	Detect	Observe	Recognize	Identify
Distance (2 mm)	43.2 m	17.2 m	8.6 m	4.3 m

Dimensions



Screw Hole



Unit: mm