

DS-2CE17H0T-IT3F 5 MP Outdoor Bullet Camera



- **5 MP, 2560 × 1944 Resolution**
- **2.8 mm, 3.6 mm, or 6 mm Fixed Lens**
- **Up to 131 ft (40 m) IR Distance**
- **One Port for Four Switchable Signals (TVI/AHD/CVI/CVBS)**
- **Water and Dust Resistant (IP67)**

The Hikvision DS-2CE17H0T-IT3F 5 MP Outdoor Bullet Camera provides high definition analog output with a resolution of up to 2560 x 1944 pixels. TurboHD means that the analog signal can be sent over existing coaxial cable, eliminating the need to run new cables for high definition video.

EXIR 2.0 is Hikvision's proprietary IR extended range technology, which has a range of 131 feet (40 meters).

The 2.8 mm, 3.6 mm, and 6 mm fixed lens options are optimized for viewing angles that fit any situation. DWDR (Digital Wide Dynamic Range) ensures that ideal images are captured regardless of the lighting conditions. The camera also supports TVI, AHD, CVI, and CVBS video signals, and is water and dust-resistant (IP67 rated).

Available Models:

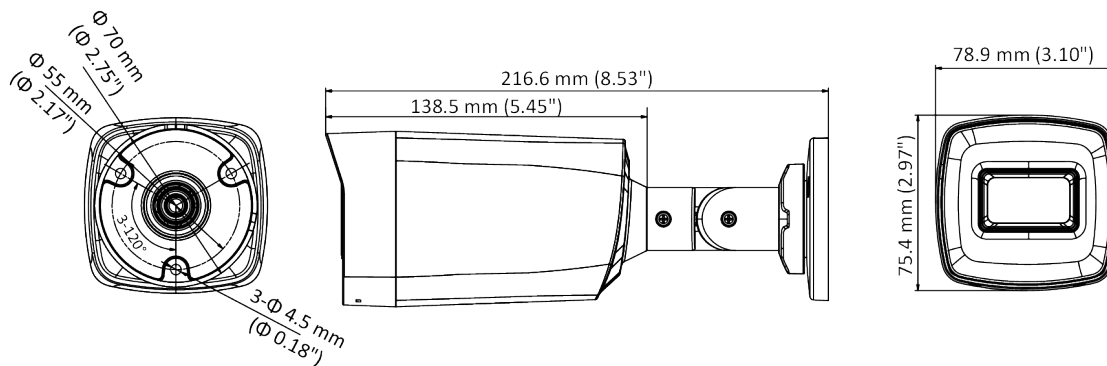
DS-2CE17H0T-IT3F



Specifications

DS-2CE17H0T-IT3F	
Camera	
Image Sensor	5 MP CMOS
Signal System	PAL/NTSC
Frame Rate	TVI: 5 M @ 20 fps, 4 M @ 30 fps, 4 M @ 25 fps, 1080p @ 30 fps, 1080p @ 25 fps AHD: 5 M @ 20 fps, 4 M @ 30 fps, 4 M @ 25 fps CVI: 4 M @ 30 fps, 4 M @ 25 fps CVBS: PAL/NTSC
Resolution	2560 (H) × 1944 (V)
Minimum Illumination	0.01 lux @ (f/1.2, AGC on), 0 lux with IR
Shutter Speed	PAL: 1/25 s to 1/50, 000 s NTSC: 1/30 s to 1/50, 000 s
Lens	2.8 mm, 3.6 mm, or 6 mm fixed lens
Horizontal Field of View	2.8 mm, horizontal FOV: 85°, vertical FOV: 63°, diagonal FOV: 110° 3.6 mm, horizontal FOV: 80°, vertical FOV: 63°, diagonal FOV: 105° 6 mm, horizontal FOV: 57°, vertical FOV: 43°, diagonal FOV: 72°
Lens Mount	M12
Day/Night	ICR
WDR (Wide Dynamic Range)	Digital WDR
Angle Adjustment	Pan: 0 to 360°, tilt: 0 to 180°, rotation 0 to 360°
Menu	
Image Mode	STD/HIGH-SAT
AGC	Supported
Day/Night Mode	Auto/Color/BW (Black and White)
White Balance	Auto/Manual
AE (Auto Exposure) Mode	DWDR/BLC/HLC/Global
Language	English
Functions	Brightness, Sharpness, Mirror, Smart IR
2D DNR	Yes
Interface	
Video Output	TVI/AHD/CVI/CVBS
General	
Operating Condition	-40° to 140° F [-40° to 60° C], humidity: 90% or less (non-condensing)
Power Supply	12 VDC ±25%
Power Consumption	Maximum 4.3 W
Protection Level	IP67
Material	Front Cover: Metal Main Body: Plastic
IR Range	Up to 131 ft (40 m)
Communication	HIKVISION-C
Dimensions	3.10" × 2.97" × 8.53" (78.9 mm × 75.4 mm × 216.6 mm)
Weight	Approximately 0.73 lb (330 g)

Dimensions



Accessories¹



¹ Additional accessories not shown may fit without, or in combination with, these accessories. See your sales representative for information about your needs.