

DS-2CE76H8T-ITMF

5 MP Outdoor Ultra-Low Light Camera



- 5 MP High Performance CMOS
- 2560 × 1944 Resolution
- 2.8 mm or 3.6 mm Fixed Lens
- EXIR 2.0, Smart IR, up to 30 m IR Distance
- OSD Menu, 3D DNR, 130 dB True WDR
- 4 in 1 Video Output (Switchable TVI/AHD/CVI/CVBS)
- IP67
- Up-the-Coax (HIKVISION-C)

The Hikvision DS-2CE76H8T-ITMF 5 MP Outdoor Ultra-Low Light Camera features a 5 MP high performance CMOS sensor with 2560 x 1944 resolution. The camera is supplied with a 2.8 mm or 3.6 mm lens.

130 dB true WDR provides improved images. EXIR 2.0 with Smart IR technology has a 98 feet (30 meter) range.

Available Models:

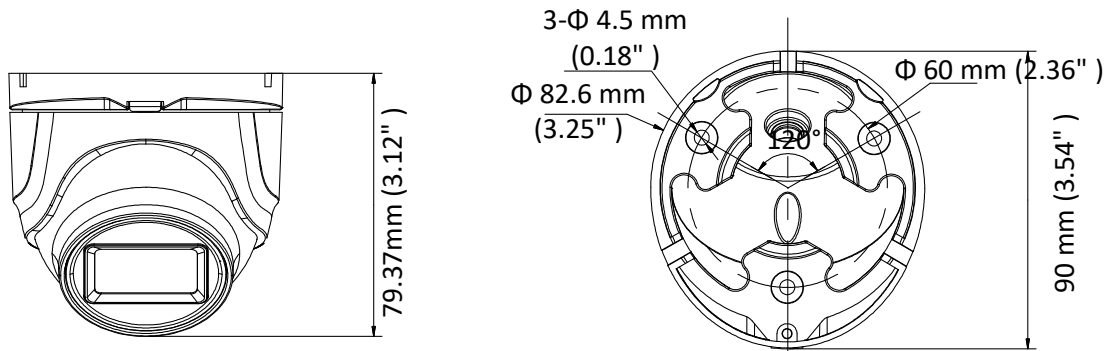
DS-2CE76H8T-ITMF



Specifications

Camera	
Image Sensor	5 MP progressive scan CMOS
Signal System	NTSC
Resolution	2560 (H) × 1944 (V)
Minimum Illumination	Color: 0.003 lux @ (f/1.2, AGC on), 0 lux with IR
Frame Rate	TVI: 2 MP @ 25 fps, 2 MP @ 30 fps, 4 MP @ 25 fps, 4 MP @ 30 fps, 5 MP @ 20 fps AHD: 4 MP @ 25 fps, 4 MP @ 30 fps, 5 MP @ 20 fps CVI: 4 MP @ 25 fps, 4 MP @ 30 fps CVBS: PAL, NTSC
Shutter Speed	NTSC: 1/30 s to 1/50,000 s
Lens	2.8 mm or 3.6 mm, fixed lens
Horizontal Field of View	98° (2.8 mm), 78° (3.6 mm)
Lens Mount	M12
Day/Night	IR cut filter
Angle Adjustment (Bracket)	Pan: 0° to 360°, tilt: 0° to 75°, rotate: 0° to 360°
Synchronization	Internal synchronization
WDR (Wide Dynamic Range)	≥130 dB
Menu	
AGC	Yes
Day/Night Mode	Auto/color/BW (black and white)
White Balance	Auto/manual
BLC (Backlight Compensation)	Yes
WDR	Yes
3D DNR	Level 1 to 9
Privacy Mask	4 programmable privacy masks
Motion Detection	4 programmable areas
Language	English
Functions	Brightness, sharpness, 3D DNR, mirror, smart IR
Interface	
Video Output	1 HD analog output
Switch Button	TVI/AHD/CVI/CVBS
General	
Operating Conditions	-40° to 60° C (-40° to 140° F), humidity: 90% or less (non-condensing)
Power Supply	12 VDC ±25% <i>*You are recommended to use one power adapter to supply the power for one camera.</i>
Power Consumption	Maximum 5.8 W
Protection Level	IP67
Material	Metal
IR Range	Up to 30 m
Communication	Up-the-Coax, protocol: HIKVISION-C (TVI output)
Dimensions	90 mm × 79.37 mm (3.54" × 3.12")
Weight	Approximately 300 g (0.66 lb)

Dimensions



Accessories (not included)



PC110T + WMS
110 mm Pendant Cap +
Wall Mount Short



PM
Pole Mount



CM
Corner Mount



CBXS
Conduit Base