

DS-2TD2617-x/PA

Thermal and Optical Network Bullet Camera



- 160 x 120 Thermal Resolution (Upscaled to 320 x 240)
- Vanadium Oxide Uncooled Focal Plane Arrays
- NETD <40 mK
- 3D DNR, Image Detail Enhancement
- Bi-Spectrum Image Fusion
- Strobe Light and Voice Alarm
- Temperature Range: -4° to 302° F (-20° to 150° C)
- Temperature Accuracy: ±14° F (±8° C)
- 15 Pseudo Color Palettes Available
- IP66 Protection
- PoE (802.3af), 12 VDC, Maximum 7.5. W

Smart Features

- Line Crossing, Intrusion, Region Entrance/Exit with Human and Vehicle Filtering
- Temperature Exception
- Early Warning Fire Prevention
- Advanced Fire Detection

Hikvision DS-2TD2617-x/PA Thermal and Optical Bullet Cameras are equipped with highly sensitive thermal and optical sensors and a graphical processing unit to run the video content analysis (VCA) algorithms developed by Hikvision's deep learning technology.

The sensor's 160 x 120 resolution is upscaled to 320 x 240 and features adaptive AGC (Automatic Gain Control), 3D DNR (Digital Noise Reduction), and Image Detail Enhancement. The 4 MP optical sensor provides outstanding color video in very dim environments down to 0.0089 lux, and built-in IR illumination allows black and white optical surveillance in zero-light conditions up to 131 ft (40 m).

This camera series features a strobe light and audio alarm, as well as a fire detection algorithm that can be used for the protection of sensitive areas.

Available Models:

- DS-2TD2617-3/PA: 3.1 mm thermal/4 mm optical lens
- DS-2TD2617-6/PA: 6.2 mm thermal/8 mm optical lens
- DS-2TD2617-10/PA: 9.7 mm thermal/8 mm optical lens



Specifications

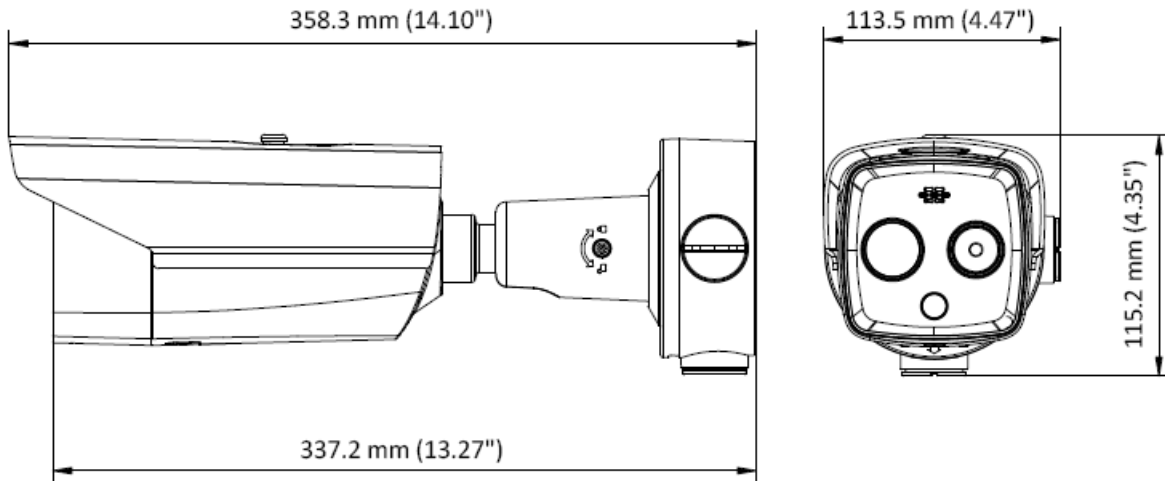
DS-2TD2617-3/PA		DS-2TD2617-6/PA	DS-2TD2617-10/PA
Thermal Module			
Image Sensor	Vanadium oxide uncooled focal plane arrays		
Maximum Resolution	160 × 120 (output image resolution is 320 × 240)		
Pixel Interval	17 μm		
Response Waveband	8 μm to 14 μm		
NETD	Less than 40 mK (25° C), F# = 1.1		
Lens (Focal Length)	3.1 mm	6.2 mm	9.7 mm
IFOV	5.48 mrad	2.74 mrad	
Field of View	50° × 37.2° (H × V)	25.0° × 18.7° (H × V)	15.96° × 12° (H × V)
Minimum Focusing Distance	0.2 m	0.6 m	1.2 m
Aperture	f/1.1		
Optical Module			
Maximum Image Resolution	2688 × 1520		
Image Sensor	1/2.7" progressive scan CMOS		
Minimum Illumination	Color: 0.0089 lux @ (f/1.6, AGC on), B/W: 0.0018 lux @ (f/1.6, AGC on)		
Shutter Speed	1s to 1/100,000s		
Lens (Focal Length)	4 mm	8 mm	
Field of View	84° × 44.8° (H × V)	39.42° × 22.14° (H × V)	39.42° × 22.14° (H × V)
Aperture	f/1.6	f/1.7	
WDR	120 dB		
Day/Night	IR cut filter with auto switch		
Image Function			
Bi-Spectrum Image Fusion	Fusion view of thermal view and overlaid details of the optical channel		
Picture-in-Picture	Combines details of thermal and optical image PIP, overlay thermal image on optical image		
Smart Features			
VCA (Video Content Analysis)	4 VCA rule types (line crossing, intrusion, region entrance, and region exiting with human and vehicle filtering), up to 8 VCA rules in total		
Temperature Measurement	3 temperature measurement rule types, 21 rules (10 points, 10 areas, and 1 line) with temperature exception		
Temperature Range	-4° F to 302° F [-20° C to 150° C]		
Temperature Accuracy	± 14.4° F (± 8° C)		
Fire Detection	Dynamic fire point detection, up to 10 fire points detectable, early warning fire prevention, advanced fire detection		
Infrared			
IR Distance	Up to 131 ft (40 m)		
IR Intensity and Angle	Automatically adjusted		
Network			
Main Stream	Optical Channel	50 Hz: 25 fps (2688 × 1520, 1920 × 1080, 1280 × 720) 60 Hz: 30 fps (2688 × 1520, 1920 × 1080, 1280 × 720)	
	Thermal Channel	25 fps (1280 × 720, 704 × 576, 640 × 480, 352 × 288, 320 × 240)	
Sub-Stream	Optical Channel	50 Hz: 25 fps (704 × 576, 352 × 288, 176 × 144) 60 Hz: 30 fps (704 × 480, 352 × 240, 176 × 120)	
	Thermal Channel	25 fps (704 × 576, 352 × 288, 320 × 240)	
Video Compression	Main Stream	H.265/H.264	
	Sub-Stream	H.265/H.264/MJPEG	
Audio Compression	G.711u/G.711a/G.722.1/MP2L2/G.726/PCM		
Protocols	IPv4/IPv6, HTTP, HTTPS, 802.1x, QoS, FTP, SMTP, UPnP, SNMP, DNS, DDNS, NTP, RTSP, RTCP, RTP, TCP, UDP, IGMP, ICMP, DHCP, PPPoE		
Simultaneous Live View	Up to 20		
User/Host Level	Up to 32 users, 3 levels: administrator, operator, user		
Security Measures	User authentication (ID and PW), MAC address binding, HTTPS encryption, IEEE 802.1x, access control, IP address filtering		
Integration			
Alarm Input	2-ch inputs (0–5 VDC)		
Alarm Output	2-ch relay outputs, alarm response actions configurable		
Alarm Action	SD recording/relay output/smart capture/FTP upload/e-mail linkage/audio alarm/strobe light alarm		
Audio Input	1 x 3.5 mm mic in/line in interface. Line input: 2–2.4 V [p-p], output impedance: 1 kΩ ±10%		
Audio Output	Linear level; impedance: 600 Ω		
Reset	1 x reset button		
Communication Interface	1 x RJ-45 10M/100M self-adaptive Ethernet interface, 1 x RS-485 interface		
SD Memory Card	Built-in microSD card slot, supporting microSD/SDHC/SDXC card (up to 128 GB), supports manual/alarm recording		
Application Programming	Open-ended API, supporting ISAPI, HIKVISION SDK, and third-party management platform		
Client	iVMS-4200, Hik-Connect		
Web Browser	IE 9+, Chrome 31–44, Firefox 30–51, Safari 5.02+ [Mac]		
General			
Menu Language	32 languages: English, Russian, Estonian, Bulgarian, Hungarian, Greek, German, Italian, Czech, Slovak, French, Polish, Dutch, Portuguese, Spanish, Romanian, Danish, Swedish, Norwegian, Finnish, Croatian, Slovenian, Serbian, Turkish, Korean, Traditional Chinese, Thai, Vietnamese, Japanese, Latvian, Lithuanian, Portuguese (Brazil)		
Power	12 VDC ±20%, two-core terminal block PoE (802.3af, class 3)		
Power Consumption	12 VDC ±20%: 0.65 A, maximum 7.5 W PoE (802.3af, class 3): 42.5 V to 57 V, 0.14 A to 0.22 A, maximum 8 W		
Working Temperature/Humidity	-40° to 149° F [-40° to 65° C]/humidity 95% or less (non-condensing)		
Protection Level	IP66 standard, TVS 6000V lightning protection, surge protection, voltage transient protection		
Dimension	14.1" × 4.47" × 4.53" (138.3 mm × 138.3 mm × 123.1 mm)		
Weight	3.88 lb (1.76 kg)		

Range Performance¹

Standard Range Table	Model					
	DS-2TD2617-3/PA		DS-2TD2617-6/PA		DS-2TD2617-10/PA	
Johnson Criteria	Human	Vehicle	Human	Vehicle	Human	Vehicle
Detection	298 ft (91 m)	919 ft (280 m)	597 ft (182 m)	1834 ft (559 m)	935 ft (285 m)	2870 ft (875 m)
Recognition	75 ft (23 m)	230 ft (70 m)	151 ft (46 m)	459 ft (140 m)	233 ft (71 m)	719 ft (219 m)
Identification	36 ft (11 m)	114 ft (35 m)	75 ft (23 m)	230 ft (70 m)	118 ft (36 m)	358 ft (109 m)

Smart Functions Range Table	Line Cross/Intrusion/Region Entrance-Exit	Object	Model		
			DS-2DT2617-3/PA	DS-2TD2617-6/PA	DS-2TD2617-10/PA
Recommended VCA Range	Human (1.8 x 0.5 m)		49 ft (15 m)	98 ft (30 m)	157 ft (48 m)
	Vehicle (4 x 1.4 m)		141 ft (43 m)	278 ft (85 m)	436 ft (133 m)
Temperature Exception	Size of Point		Max Range	Max Range	Max Range
Accuracy at 5 x 5 pixels	2 m x 2 m		217 ft (66 m)	434 ft (132 m)	771 ft (235 m)
	1 m x 1 m		108 ft (33 m)	217 ft (66 m)	387 ft (118 m)
Advanced Fire Detection	Size of Point		Max Range	Max Range	Max Range
Accuracy at 2 x 2 pixels	2 m x 2 m		591 ft (180 m)	1181 ft (360 m)	1929 ft (588 m)
	1 m x 1 m		295 ft (90 m)	591 ft (180 m)	965 ft (294 m)

Dimensions



Accessories

NOT INCLUDED		
PM Pole Mount	CM Corner Mount	CB130 Conduit Base

¹ Range performance values are calculated under ideal conditions and are not a guarantee of performance.