

DS-2XC6142FWD-IS(C) 4 MP IR Fixed Mini Dome Anti-Corrosion Network Camera



- 316L stainless steel enclosure, protecting cameras to be used in corrosive environments, providing reliability and longevity compared to standard cameras
- Water and dust resistant (IP67), preventing water ingress for outdoor use
- H.265+/H.265/H.264+/H.264 encoding: efficient compression technology saves storage space and reduces bandwidth requirements
- Lens angle adjustment allows the camera lens to be adjusted to manually focus in different directions (pan/tilt/rotate), for easy installation



▪ Specification

Camera	
Image Sensor	1/3" Progressive Scan CMOS
Max. Resolution	2688 × 1520
Min. Illumination	Color: 0.009 Lux @ (F1.6, AGC ON), 0 Lux with IR B/W: 0.0018 Lux @ (F1.6, AGC ON), 0 Lux with IR
Shutter Time	1/3 s to 1/100,000 s
Day & Night	IR cut filter
Angle Adjustment	Pan: -30° to 30°, tilt: 0° to 75°, rotate: 0° to 360°
Lens	
Lens Type	Fixed focal lens, 2.8 mm, 4 mm, and 6 mm optional
Focal Length & FOV	2.8 mm, horizontal FOV 98.5°, vertical FOV 52.8°, diagonal FOV 116.2° 4 mm, horizontal FOV 78.8°, vertical FOV 40.5°, diagonal FOV 92.8° 6 mm, horizontal FOV 49.1°, vertical FOV 26.3°, diagonal FOV 57.2°
Lens Mount	M12
Aperture	F1.6
DORI	
DORI	2.8 mm, D: 54.6 m, O: 21.7 m, R: 10.9 m, I: 5.5 m 4 mm, D: 85.4 m, O: 33.9 m, R: 17.1 m, I: 8.5 m 6 mm, D: 128.0 m, O: 50.8 m, R: 25.6 m, I: 12.8 m
Illuminator	
Supplement Light Type	IR
Supplement Light Range	Up to 15 m
Video	
Main Stream	50 Hz: 25 fps (2688 × 1520, 1920 × 1080, 1280 × 720) 60 Hz: 30 fps (2688 × 1520, 1920 × 1080, 1280 × 720)
Sub-Stream	50 Hz: 25 fps (640 × 480, 640 × 360) 60 Hz: 30 fps (640 × 480, 640 × 360)
Third Stream	50 Hz: 1 fps (1920 × 1080, 1280 × 720, 640 × 480, 640 × 360) 60 Hz: 1 fps (1920 × 1080, 1280 × 720, 640 × 480, 640 × 360)
Video Compression	Main stream: H.265+/H.265/H.264+/H.264 Sub-stream: H.265/H.264/MJPEG Third stream: H.265/H.264
Video Bit Rate	32 Kbps to 8 Mbps
H.264 Type	Baseline Profile/Main Profile/High Profile
H.265 Type	Main Profile
Scalable Video Coding (SVC)	H.264 and H.265 encoding
Region of Interest (ROI)	5 fixed regions for each stream
Network	
Protocols	TCP/IP, ICMP, HTTP, HTTPS, FTP, DHCP, DNS, DDNS, RTP, RTSP, RTCP, PPPoE, NTP, UPnP, SMTP, SNMP, IGMP, 802.1X, QoS, IPv6, UDP, Bonjour
Simultaneous Live View	Up to 6 channels
API	Open Network Video Interface, ISAPI, ISUP 5.0

User/Host	Up to 32 users 3 levels: Administrator, Operator and User
Network Storage	NAS (NFS, SMB/CIFS), ANR
Client	iVMS-4200, Hik-Connect
Web Browser	Plug-in required live view: IE10, IE11 Local service: Chrome 57.0+, Firefox 52.0+
Image	
Image Parameters Switch	Yes
Image Settings	Rotate mode, saturation, brightness, contrast, sharpness, AGC, and white balance adjustable by client software or web browser
Day/Night Switch	Day, Night, Auto, Schedule
Wide Dynamic Range (WDR)	120 dB
Image Enhancement	BLC, HLC, 3D DNR, defog
Interface	
Ethernet Interface	1 RJ45 10 M/100 M self-adaptive Ethernet port
On-Board Storage	Built-in memory card slot, support microSD/SDHC/SDXC card, up to 128 GB *You are recommended to purchase memory card together with the product if needed. After ordering, the memory card will be installed to product during manufacturing.
Alarm	1 alarm input, 1 alarm output
Event	
Basic Event	Motion detection, video tampering alarm, exception (network disconnected, IP address conflict, illegal login, HDD full, HDD error)
Smart Event	Line crossing detection, intrusion detection, region entrance detection, region exiting detection Scene change detection, unattended baggage detection, object removal detection
General	
Power	12 VDC, 0.4 A, max. 5 W, two-core terminal block PoE (802.3af, Class 3, 36 V to 57 V), 0.1 A
Material	SUS 316L Metal
Dimension	Ø113 mm × 77.3 mm (4.45" × 3.04")
Package Dimension	257 mm × 167 mm × 145 mm (10.12" × 6.57" × 5.71")
Weight	Approx. 1500 g (3.3 lb.)
With Package Weight	Approx. 1900 g (4.2 lb.)
Startup and Operating Conditions	-30°C to +60 °C (-22 °F to +140 °F). Humidity less than 95% (non-condensing)
Language	33 languages: English, Russian, Estonian, Bulgarian, Hungarian, Greek, German, Italian, Czech, Slovak, French, Polish, Dutch, Portuguese, Spanish, Romanian, Danish, Swedish, Norwegian, Finnish, Croatian, Slovenian, Serbian, Turkish, Korean, Traditional Chinese, Thai, Vietnamese, Japanese, Latvian, Lithuanian, Portuguese (Brazil), Ukrainian
General Function	Heartbeat, password protection, privacy mask, watermark, IP address filter, mirror

Approval

EMC	<p>FCC: FCC-SDoC (ANSI C63.4, FCC Part15 sub B)</p> <p>CE: CE-EMC (EN 50130-4:2011+A1:2014, EN 55032:2015, EN 61000-3-2:2014, EN 61000-3-3:2013)</p> <p>RCM: AS/NZS 60950.1:2003 + Am1, Am2 and Am3, AS/NZS CISPR 32:2015</p> <p>IC: IC-VoC (ICES-003 Issue 7:2020)</p> <p>KC: KN 301489-1, KN 301489-17, RRA NOTICE 2017-14 (2017.12.05), RRA NOTICE 2017-19 (2017.12.28)</p>
Safety	<p>UL: UL 62368-1: 2014, CAN/CSA C22.2 No. 62368:2014</p> <p>CB: IEC 62368-1:2014</p> <p>BIS: IS 13252 (Part 1) 2010+A1:2013+A2:2015</p> <p>LOA: SANS IEC60950-1</p>
Environment	CE: CE-RoHS (RoHS Directive 2011/65/EU+2015/863)
Protection	IP67 (IEC 60529-2013)
Anti-Corrosion Protection	<p>WF2, NEMA-4X</p> <p>C5-M: 720H neutral salt spray, 480H water condensation;</p> <p>Exterior environments: industrial areas with high humidity and aggressive atmosphere and coastal areas with high salinity;</p> <p>Interior environments: buildings or areas with almost permanent condensation and with high pollution.</p>

• Available Model

DS-2XC6142FWD-IS (C) (2.8/4/6 mm)

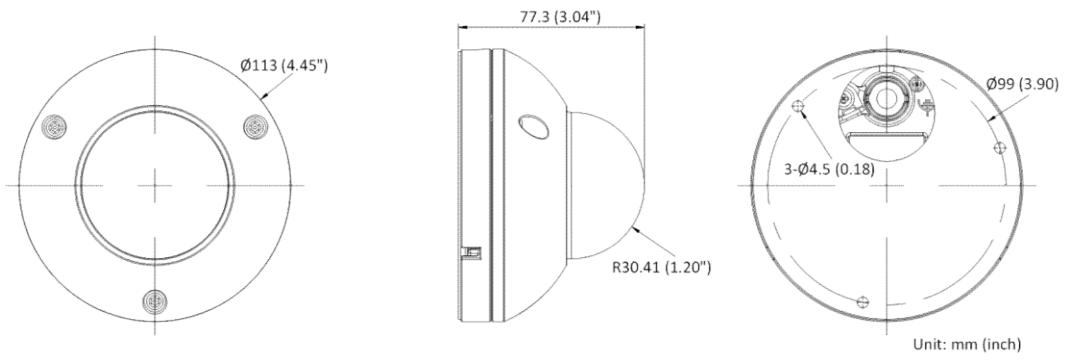
• Typical Application

Hikvision products are classified into three levels according to their anti-corrosion performance. Refer to the following description to choose for your using environment.

This model has TOP-LEVEL SPECIFIC PROTECTION.

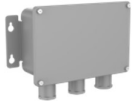

Level	Description
Top-level protection	Hikvision products at this level are equipped for use in areas where professional anti-corrosion protection is a must. Typical application scenarios include coastlines, docks, chemical plants, and more.
Moderate protection	Hikvision products at this level are equipped for use in areas with moderate anti-corrosion demands. Typical application scenarios include coastal areas about 2 kilometers (1.24 miles) away from coastlines, as well as areas affected by acid rain.
No specific protection	Hikvision products at this level are equipped for use in areas where no specific anti-corrosion protection is needed.

▪ **Dimension**



▪ **Accessory**

▪ **Optional**

DS-1284ZJ-M Junction Box	DS-1705ZJ-DM35 Wall Mount
	



Distributed by

**HIKVISION®****Headquarters**

No.555 Qianmo Road, Binjiang District,
Hangzhou 310051, China
T +86-571-8807-5998
overseasbusiness@hikvision.com

Hikvision USA
T +1-909-895-0400
sales.usa@hikvision.com

Hikvision Australia
T +61-2-8599-4233
salesau@hikvision.com

Hikvision India
T +91-22-28469900
sales@pramahikvision.com

Hikvision Canada
T +1-866-200-6690
sales.canada@hikvision.com

Hikvision Thailand
T +662-275-9949
sales.thailand@hikvision.com

Hikvision Europe
T +31-23-5542770
sales.eu@hikvision.com

Hikvision Italy
T +39-0438-6902
info.it@hikvision.com

Hikvision Brazil
T +55 11 3318-0050
Latam.support@hikvision.com

Hikvision Turkey
T +90 [216]521 7070- 7074
sales.tr@hikvision.com

Hikvision Malaysia
T +601-7652-2413
sales.my@hikvision.com

Hikvision UK & Ireland
T +01628-902140
sales.uk@hikvision.com

Hikvision South Africa
Tel: +27 [10] 0351172
sale.africa@hikvision.com

Hikvision France
T +33[0]1-85-330-450
info.fr@hikvision.com

Hikvision Kazakhstan
T +7-727-9730667
nikia.panfilov@hikvision.ru

Hikvision Vietnam
T +84-974270888
sales.vt@hikvision.com

Hikvision UAE
T +971-4-4432090
salesme@hikvision.com

Hikvision Singapore
T +65-6684-4718
sg@hikvision.com

Hikvision Spain
T +34-91-737-16-55
info.es@hikvision.com

Hikvision Tashkent
T +99-87-1238-9438
uzb@hikvision.ru

Hikvision Hong Kong
T +852-2151-1761
info.hk@hikvision.com

Hikvision Russia
T +7-495-669-67-99
saleru@hikvision.com

Hikvision Korea
T +82-[0]31-731-8817
sales.korea@hikvision.com

Hikvision Poland
T +48-22-460-01-50
info.pl@hikvision.com

Hikvision Indonesia
T +62-21-2933759
Sales.Indonesia@hikvision.com

Hikvision Colombia
sales.colombia@hikvision.com