

## DS-2XM6522G1-I(D)(M)(/ND)

### 2MP Mobile Network Camera



- High quality imaging with 2MP resolution
- Clear imaging against strong back light due to 120 dB true WDR technology
- Efficient H.265+ compression technology
- Water and dust resistant (IP68,IP69K) and vandal proof (IK10)
- Advanced streaming technology that enables smooth live view and data self-correcting in poor network
- 3D DNR technology delivers clean and sharp images

## ▪ Specification

Selection Parameter	
Min. Illumination	0.01 Lux @ (F1.2, AGC ON), 0 Lux with IR
On-Board Storage	Up to 256 GB
Protection Level	IP68, IP69k, IK10
Wi-Fi Support	No
Appearance Style	Wedge
Resolution	2MP
Lens Type	Fixed Lens
Encoding	H.265+, H.265, H.264+, H.264
Camera	
P/N	P/N
Sensor	1/2.8" Progressive Scan CMOS
Protection Level	IP68, IP69k, IK10
Shutter Speed	1/3 s to 1/100,000 s
Slow Shutter	Yes
Wide Dynamic Range	120 dB
Day & Night	IR Cut Filter
Angle Adjustment	2.8mm: pan: -15° to 15°, tilt: 15° to 30°, rotate: -90° to 90° 4mm/6mm: pan: -15° to 15°, tilt: 0° to 30°, rotate: -90° to 90°
Lens	
Focal Length & FOV	2.8mm: horizontal FOV 105°, vertical FOV 56°, diagonal FOV 126° 4mm: horizontal FOV 87°, vertical FOV 44°, diagonal FOV 104° 6mm: horizontal FOV 53°, vertical FOV 28°, diagonal FOV 62°
Lens Mount	M12
Aperture	2.8mm/4mm/6mm: F1.6
Illuminator	
Smart Supplement Light	Support
IR Wavelength	850 nm
IR Range	Up to 30 m
Video	
Max. Resolution	1920 × 1080
Main Stream	50Hz: 25fps (1920 × 1080, 1280 × 960, 1280 × 720) 60Hz: 30fps (1920 × 1080, 1280 × 960, 1280 × 720)
Sub-Stream	50Hz: 25fps (704 × 576, 640 × 480, 352 × 288, 320 × 240) 60Hz: 30fps (704 × 480, 640 × 480, 352 × 240, 320 × 240)
Third Stream	50Hz: 25fps (1920 × 1080, 1280 × 960, 1280 × 720, 704 × 576, 640 × 480, 352 × 288, 320 × 240) 60Hz: 30fps (1920 × 1080, 1280 × 960, 1280 × 720, 704 × 480, 640 × 480, 352 × 240, 320 × 240)
Video Compression	Main Stream: H.265 /H.264 Sub-Stream: H.265 /H.264 / MJPEG Third Stream: H.265 /H.264
Video Bit Rate	Main Stream: 256 Kbps to 16 Mbps Sub-Stream: 256 Kbps to 4 Mbps Third Stream: 256 Kbps to 4 Mbps
H.264 Type	Baseline Profile/Main Profile/High Profile
H.265 Type	Main Profile
Smart264 Type	Main Stream supports
Smart265 Type	Main Stream supports

Scalable Video Coding (SVC)	H.264 and H.265 encoding
Region of Interest (ROI)	1 fixed regions for each stream, and dynamic object tracking
<b>Network</b>	
Protocols	TCP/IP, HTTP, HTTPS, FTP, DHCP, DNS, DDNS, RTP, RTSP, NTP, UPnP, SMTP, SNMP, UDP, SSL/TLS, RTCP, ICMP, IGMP
Simultaneous Live View	Up to 20 channels
API	HIKSDK, ONVIF (PROFILE S, PROFILE G, PROFILE T), ISAPI
User/Host	Up to 32 users 3 levels: Administrator, Operator and User
Web Browser	Plug-in required live view: IE8+
<b>Image</b>	
SmartIR	No
Image Settings	Rotate mode, saturation, brightness, contrast, sharpness, gain, white balance adjustable by client software or web browser
Day/Night Switch	Day/Night/Auto/Schedule
SNR	> 50 dB
Image Enhancement	BLC, HLC, 3D DNR, Defog, EIS
Privacy Mask	4 regions of privacy mask
Picture Overlay	LOGO picture can be overlaid on video with 128 × 128 24bit bmp format
Digital Noise Reduction	3D DNR
<b>Interface</b>	
Ethernet Interface	Without -M: 1 RJ45 10M/100M self-adaptive Ethernet port -M: 1 four-core M12 aviation plug
SD Card Extension	Yes
Audio	No
Alarm	No
RS-485	No
Reset Key	Yes
Heater	Yes
<b>Event</b>	
Basic Event	Motion detection, video tampering alarm, exception (network disconnected, IP address conflict, illegal login, TF card error)
Smart Event	Line crossing detection, Intrusion detection, Region entrance detection, Region exiting detection, Unattended baggage detection, Object removal detection, Object detection: detects faces and upload images Scene change detection, defocus detection
Linkage	Upload to FTP/NAS/memory card, notify monitoring center, send email, trigger recording, trigger capture
<b>General</b>	
Power Interface Type	-I/ND: RJ45 interface, PoE power supply -ID: Ø 5.5mm coaxial power plug, DC power supply -IDM: two-core Molex connector, DC power supply -IM/ND: four-core M12 aviation plug, PoE power supply
Power Supply	-ID, -IDM: 9-36 V, two-core terminal block, reverse polarity protection&PoE802.3af; -I/ND, -IM/ND: PoE: 802.3af, Type 1 Class 3
Camera Material	Metal
Camera Dimension	Camera: 163.7 × 122.6 × 65.1 mm (6.4" × 4.8" × 2.6") With package: 252 × 190 × 108 mm (9.9" × 7.5" × 4.3")

Camera Weight	Camera: Approx. 905 g (2.0 lb.) With package: 1271 g (2.8 lb.)
Startup and Operating Conditions	-40°C to 75°C (-40°F to 167°F). Humidity 95% or less (non-condensing)
Language	Support English, German, French and Russian
General Function	Anti-flicker, 3 streams, heartbeat, mirror, privacy mask
Power Consumption	-ID, -IDM: 9~36 V DC, max. 10 W -I/ND, -IM/ND: PoE: (802.3af, 36 V to 57 V), max. 10 W
<b>Approval</b>	
Class	Class B
EMC	FCC (47 CFR Part 15, Subpart B); CE-EMC (EN 55032: 2015, EN 61000-3-2: 2014, EN 61000-3-3: 2013, EN 50130-4: 2011 +A1: 2014); RCM (AS/NZS CISPR 32: 2015); IC (ICES-003: Issue 6, 2016); KC (KN 32: 2015, KN 35: 2015)
Safety	CB (IEC 60950-1: 2005 + Am 1: 2009 + Am 2: 2013); CE-LVD (EN 60950-1: 2005 + Am 1: 2009 + Am 2: 2013); BIS (IS 13252 Part 1): 2010+A1: 2013+A2: 2015);
Protection	IP68 IEC 60529-2013), IK10 IEC 62262: 2002), IP69K ISO 20653: 2013)
Environment	CE-RoHS (2011/65/EU);
Automotive and Railway	EN50155-2017 EN 50155: 2017, EN 50121-3-2: 2016, IEC 60068-2-1: 2007, IEC 60068-2-2: 2007, IEC 60068-2-30: 2005, IEC 61373: 2010); EN45545 (EN 45545-2: 2013+A1: 2015); E-MARK (ECE R10, R118)

### ▪ Available Model

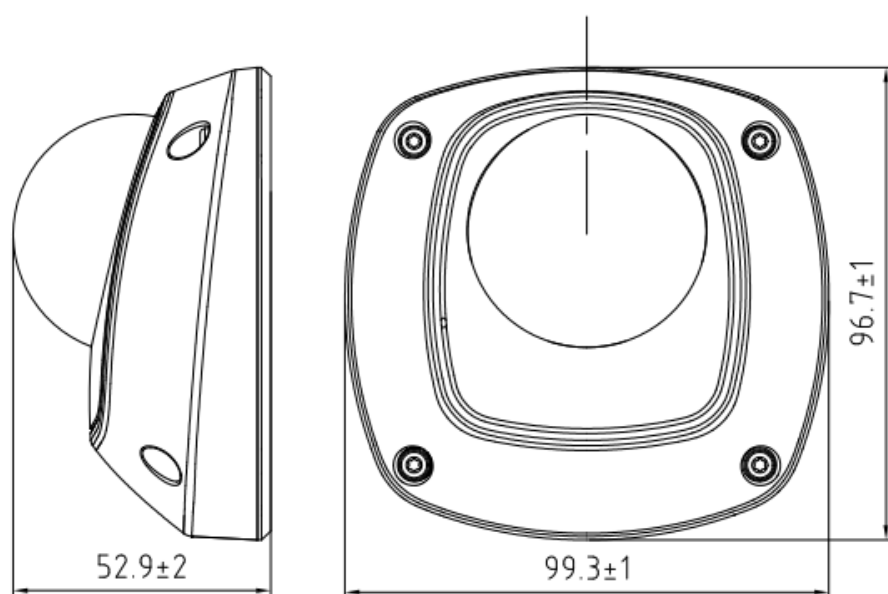
DS-2XM6522G1-IDM(2.8/4/6 mm)

DS-2XM6522G1-ID(2.8/4/6 mm)

DS-2XM6522G1-IM/ND(2.8/4/6 mm)

DS-2XM6522G1-I/ND(2.8/4/6 mm)

### ▪ Dimension



unit: mm

**Headquarters**

No.555 Qianmo Road, Binjiang District,  
Hangzhou 310051, China  
T +86-571-8807-5998  
www.hikvision.com



Follow us on social media to get the latest product and solution information.

