

DS-2XS2T47G0-LDH/4G/C18S40 4 MP ColorVu Solar Powered Security Camera Setup



Hikvision's DS-2XS2T47G0-LDH/C18S40 4 MP ColorVu Solar Powered Security Camera Setup features standalone functionality with a solar panel and built-in battery. ColorVu technology provides full-time 4 MP color images. Two-way audio offers real-time security, and the unit is water and dust resistant (IP67), with stability against a Category 12 typhoon. The camera system is ideal for monitoring remote areas without access to traditional power such as fields, farms, vineyards, construction sites, hard-to-reach perimeters, and more.

Available Model

DS-2XS2T47G0-LDH/4G/C18S40

- High Quality Imaging with 4 MP Resolution
- 40 W Solar Panel and 180 Wh Built-in Rechargeable Battery
- 24/7 Color Imaging
- Efficient H.265+ Compression Technology
- Real-Time Security via Built-in Two-Way Audio
- Water and Dust Resistant (IP67)
- Stability Against Category 12 Typhoon
- 120 dB True WDR Technology
- 4.5 Days Battery Life on Continuous Recording
- Built-in Heater Can Warm Battery Below 0° C to Continue Charging



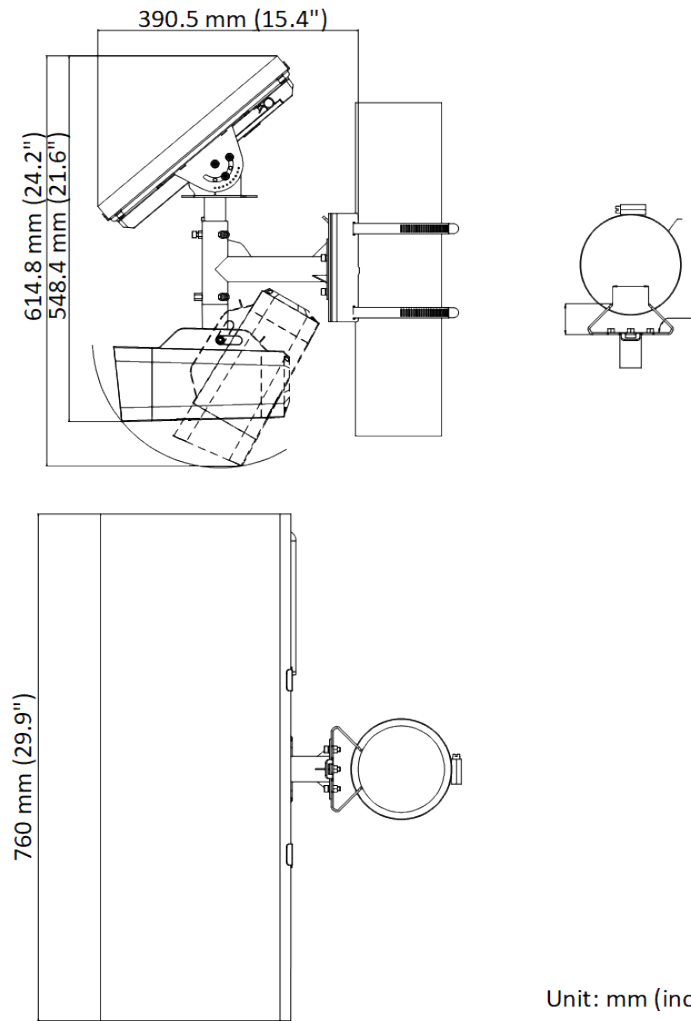
Specifications

DS-2XS2T4760-LDH/4G/C18S40	
Camera	
Image Sensor	1/1.8" progressive scan CMOS
Maximum Resolution	4 MP (2688 x 1520)
Minimum Illumination	Color: 0.0005 lux @ (f/1.0, AGC on), B/W: 0 lux @ (f/1.0, AGC on) with white light
Shutter Speed	1/3 s to 1/100,000 s
Angle Adjustment	Solar Cover: Pan: 0° to 358°, tilt: -40° to 40° Camera: Pan: 0° to 360°, tilt: -60° to 0°
Lens	
Lens Type	4 mm fixed focal lens
Aperture	f/1.0
Focal Length and FOV	4 mm, horizontal FOV 95°, vertical FOV 51°, diagonal FOV 115°
Lens Mount	M16
DORI	
DORI	4 mm, D: 77 m, O: 30 m, R: 15 m, I: 8 m
Illuminator	
Supplement Light Type	White light
Supplement Light Range	Performance mode: up to 98 ft (30 m) Proactive mode: up to 33 ft (10 m)
Smart Supplement Light	Yes
Video	
Main Stream	50 Hz: 12.5 fps (2688 × 1520, 1920 × 1080, 1280 × 720) 60 Hz: 15 fps (2688 × 1520, 1920 × 1080, 1280 × 720)
Sub-Stream	50 Hz: 12.5 fps (640 × 480, 640 × 360) 60 Hz: 15 fps (640 × 480, 640 × 360)
Video Compression	Main stream: H.265/ H.264 Sub-stream: H.265/H.264/MJPEG H.264+: Performance mode: main stream supports H.265+: Performance mode: main stream supports
Video Bit Rate	32 Kbps to 8 Mbps
H.264 Type	Baseline Profile/Main Profile/High Profile
H.265 Type	Main Profile
Bit Rate Control	CBR/VBR
Region of Interest (ROI)	1 fixed region for main stream
Scalable Video Coding (SVC)	H.265 and H.264 support
Audio	
Audio Sampling Rate	8 kHz/16 kHz/32 kHz/44.1 kHz/48 kHz
Environment Noise Filtering	Yes
Audio Compression	G.711/G.722.1/G.726/MP2L2/PCM/AAC/MP3
Audio Bit Rate	64 Kbps (G.711ulaw/G.711alaw)/16 Kbps (G.722.1)/16 Kbps (G.726)/32 to 192 Kbps (MP2L2)/8 to 320 Kbps (MP3)/16 to 64 Kbps (AAC)
Network	
Security	Password protection, complicated password, HTTPS encryption, IP address filter, security audit log, basic and digest authentication for HTTP/HTTPS, TLS 1.1/1.2, WSSE and digest authentication for Open Network Video Interface
Simultaneous Live View	Up to 6 channels
API	Open Network Video Interface, ISAPI, SDK, ISUP
Protocols	TCP/IP, ICMP, HTTP, FTP, DHCP, DNS, DDNS, RTP, RTSP, RTCP, NTP, UPnP, SMTP, IGMP, QoS, IPv6, UDP, Bonjour, SSL/TLS, SNMP, HTTPS, 802.1x
User/Host	Up to 32 users. 3 user levels: administrator, operator, and user
Network Storage	Auto network replenishment (ANR)
Client	iVMS-4200, Hik-Connect, HikCentral Proactive mode: Hik-Connect
Web Browser	Plug-in required live view: IE 10+ Plug-in free live view: Chrome 57.0+, Firefox 52.0+ Local service: Chrome 57.0+, Firefox 52.0+
Mobile Communication	
Frequency	LTE-FDD: Band 2/4/5/12/13/17/66/71; WCDMA: Band 2/4/5
Standard	LTE-FDD/WCDMA

Specifications (continued)

DS-2XS2T4760-LDH/4G/C18S40	
Image	
SNR	≥52 dB
Wide Dynamic Range (WDR)	120 dB
Day/Night Switch	Day, Night, Auto, Schedule
Image Enhancement	BLC, HLC, 3D DNR
Image Settings	Rotate mode, saturation, brightness, contrast, sharpness, gain, white balance adjustable by client software or Web browser
PIR	
PIR Angle	Horizontal: 100°, vertical: 80°
PIR Range	Up to 49 ft 2 in (15 m)
Interface	
Ethernet Interface	1 RJ-45 10 M/100 M self-adaptive Ethernet port
On-Board Storage	Built-in memory card slot, supports microSD/SDHC/SDXC card, up to 256 GB Built-in 64 GB eMMC storage (50 GB available for recording)
Built-in Microphone	Yes
Built-in Speaker	Yes
Reset Key	Yes
Event	
Basic Event	Motion detection, video tampering alarm, exception, PIR
Linkage	Upload to memory card, notify surveillance center, audible warning, trigger recording, trigger capture, send e-mail
General	
Power Consumption and Current	Typical power scenarios: 1.85 W (4 G working) Standby scenarios: 40 mW Maximum power consumption: 7.2 W
Power Supply	12 VDC ±25% *For debugging only; 40 W (deviation: ±2 W) solar panels
Power Interface	Power supply interface: Ø5.5 mm coaxial power plug Extended solar panel: four-core aviation connector
Storage Conditions	-20° to 50° C (-4° to 122° F), humidity 95% or less (non-condensing)
General Functions	Heartbeat, mirror, privacy mask, flash log, password reset via e-mail, pixel counter
Startup and Operating Conditions	-20° to 50° C (-4° to 122° F), humidity 95% or less (non-condensing)
Dimensions	614.8 mm × 390.5 mm × 760 mm (24.2" × 15.4" × 29.9")
Package Dimension	837 mm × 267 mm × 445 mm (33" × 10.5" × 17.5")
Weight	Pre-install plate: approximately 1080 g (2.4 lb) Bullet camera + bracket + solar panel: approximately 8540 g (18.8 lb)
With Package Weight	Approximately 11860 g (26.1 lb)
Battery	
Battery Type	Ternary lithium
Capacity	23.2 Ah
Max. Charging Voltage	8.4 V
Operating Temperature	Charge: 0° to 45° C (32° to 113° F); Charging Condition: 0° to 45° C (32° to 113° F) (deviation: ±5° C) Discharge: -20° to 60° C (-4° to 140° F). Discharging Condition: -20° to 60° C (-4° to 140° F) (deviation: ±5° C)
Battery Voltage	5.5 V to 8.4 V
Cycle Lifetime	Performance mode: 2.5 day; Proactive mode: 4.5 day; Standby mode: 24 days
Battery Life	More than 500 cycles
Approvals	
RF	FCC ID (FCC Part 15.247(BT or 2.4G)); CE-RED (EN 301489-1 V2.1.1 (BT or 2.4G); EN 301489-17 V3.1.1 (BT or 2.4G); EN 300328 V2.1.1 (BT or 2.4G); EN 62311:2008 (BT or 2.4G))
EMC	FCC SDoC (47 CFR Part 15, Subpart B); CE-EMC (EN 55032: 2015, EN 61000-3-2:2019, EN 61000-3-3:2013+A1:2019, EN 50130-4: 2011 +A1: 2014); RCM (AS/NZS CISPR 32: 2015)
Safety	CB (IEC 62368-1:2014+A11); CE-LVD (EN 62368-1:2014/A11:2017); LOA (IEC/EN 60950-1)
Environment	CE-RoHS (2011/65/EU); WEEE (2012/19/EU); Reach (Regulation (EC) No 1907/2006)
Protection	IP67 (IEC 60529-2013)

Dimensions



Unit: mm (inch)