

DS-2XS2T47G1-LDH/4G/C18S40 4 MP ColorVu Solar-powered Security Camera

ColorVu



Hikvision ColorVu technology provides 24/7 vivid colorful images with F1.0 advanced lenses, high performance sensors and friendly lighting. F1.0 super-aperture collects more light to produce brighter images. Advanced sensor technology can vastly improve the utilization of available light.

- High quality imaging with 4 MP resolution
- Standalone with solar panel and included modular battery
- 24/7 colorful imaging
- Support Human Detection
- Efficient H.265+ compression technology
- Provide real-time security via built-in two-way audio
- Water and dust resistant (IP67)
- Stability against category 12 typhoon

▪ Specification

Camera	
Image Sensor	1/3" Progressive Scan CMOS
Min. Illumination	Color: 0.0005 Lux @ (F1.0, AGC ON), 0 Lux with light
Max. Resolution	2560 × 1440
Shutter Time	1/3 s to 1/100,000 s
Day & Night	24/7 color imaging
Angle Adjustment	Solar panel: pan: 0° to 358°, tilt: -40° to 0°; camera: pan: 0° to 360°, tilt: -60° to 0°
Lens	
Lens Type	Fixed focal lens, 4 and 6 mm optional
Iris Type	Fixed
Aperture	F1.0
Depth of Field	4 mm: 2.7 m to ∞ 6 mm: 5.9 m to ∞
Focal Length & FOV	4 mm, Horizontal FOV: 75°, Vertical FOV: 40°, Diagonal FOV: 89° 6 mm, Horizontal FOV: 49°, Vertical FOV: 27°, Diagonal FOV: 57°
Lens Mount	M12
DORI	
DORI	4 mm, D: 82 m, O: 32 m, R: 16 m, I: 8 m 6 mm, D: 120 m, O: 47 m, R: 24 m, I: 12 m
Illuminator	
Supplement Light Type	White Light
Supplement Light Range	Performance mode: up to 30 m, proactive mode: up to 10 m
Smart Supplement Light	Yes
Video	
Main Stream	50 Hz: 12.5 fps (2560 × 1440, 1920 × 1080, 1280 × 720) 60 Hz: 15 fps (2560 × 1440, 1920 × 1080, 1280 × 720)
Sub-Stream	50 Hz: 12.5 fps (1280 × 720, 640 × 480, 640 × 360) 60 Hz: 15 fps (1280 × 720, 640 × 480, 640 × 360)
Video Compression	Main stream: H.265/ H.264, Sub-stream: H.265/H.264/MJPEG, H.264+ and H.265+: main stream supports under performance mode
Video Bit Rate	32 Kbps to 8 Mbps
H.264 Type	Baseline Profile, Main Profile, High Profile
H.265 Type	Main Profile
Bit Rate Control	CBR, VBR
Scalable Video Coding (SVC)	H.264 and H.265 encoding
Region of Interest (ROI)	1 fixed region(s) for main stream
Audio	
Audio Sampling Rate	8 kHz/16 kHz
Environment Noise Filtering	Yes
Audio Compression	G.711ulaw/G.711alaw/G.722.1/G.726/MP2L2/PCM/AAC-LC
Audio Bit Rate	64 Kbps (G.711 ulaw/G.711 alaw)/16 Kbps (G.722.1)/16 Kbps (G.726)/32~160 Kbps (MP2L2)/16~64 Kbps (AAC-LC)

Network	
Security	Password protection, complicated password, basic and digest authentication for HTTP, TLS 1.1/1.2/1.3, WSSE and digest authentication for Open Network Video Interface
Simultaneous Live View	Up to 6 channels
API	Open Network Video Interface (Profile S, Profile G, Profile T),ISAPI,SDK
Protocols	TCP/IP, ICMP, HTTP, DHCP, DNS, RTP, RTSP, RTCP, NTP, IGMP, QoS, UDP
User/Host	Up to 32 users 3 user levels: administrator, operator, and user
Network Storage	Auto Network Replenishment (ANR)
Client	iVMS-4200,Hik-Connect,Hik-Central
Web Browser	Plug-in required live view: IE 10+, Plug-in free live view: Chrome 57.0+, Firefox 52.0+, Local service: Chrome 57.0+, Firefox 52.0+
Mobile Communication	
Uplink and Downlink Data Rate	Cat 4, uplink: 50 Mbps, downlink: 150 Mbps
SIM Card Type	Micro SIM
Frequency	EU: LTE-TDD: B38/B40/B41 LTE-FDD: B1/B3/B5/B7/B8/B20/B28 WCDMA: B1/B5/B8 GSM: B3/B5/B8 LA: LTE-TDD: B38/B40 LTE-FDD: B1/B2/B3/B4/B5/B7/B8/B12/B17/B28/B66 WCDMA: B1/B2/B3/B4/B5/B8 GSM: B2/B3/B5/B8 US: LTE-FDD: B2/B4/B5/B12/B13/B17/B66/B71 WCDMA: B2/B4/B5
Standard	LTE-TDD, LTE-FDD, WCDMA, GSM
Image	
SNR	≥ 52 dB
Wide Dynamic Range (WDR)	Digital WDR
Day/Night Switch	Day, Night, Auto, Schedule
Image Enhancement	BLC, HLC, 3D DNR
Image Settings	Saturation, brightness, contrast, sharpness, gain, white balance, adjustable by client software or web browser
Interface	
Ethernet Interface	1 RJ45 10 M/100 M self-adaptive Ethernet port
On-Board Storage	Built-in eMMC storage, up to 64 GB, Built-in memory card slot, support microSD/microSDHC/microSDXC card, up to 256 GB, For eMMC storage, 50 GB is available for recording.
Built-in Microphone	Yes
Built-in Speaker	Yes
Reset Key	Yes

Event	
Basic Event	Motion detection, video tampering alarm, network disconnected, IP address conflict, illegal login, HDD full, HDD error
Linkage	Upload to NAS/memory card, notify surveillance center, audible warning, trigger recording, trigger capture
General	
Power	<p>Power Consumption and Current:</p> <p>Typical power scenarios: 1.85 W</p> <p>Standby scenarios: 40 mW</p> <p>Max. power consumption: 6 W</p> <p>Power Supply:</p> <p>12 VDC ± 25%</p> <p>*For debugging only</p> <p>40 W (deviation: ± 2 W) Solar panels</p> <p>Power Interface:</p> <p>Power supply interface: Ø5.5 mm coaxial power plug</p> <p>Extended solar panel: four-core aviation connector</p>
Material	ADC12
Storage Conditions	-20 °C to 50 °C (-4 °F to 122 °F). Humidity 95% or less (non-condensing)
Language	33 languages: English, Russian, Estonian, Bulgarian, Hungarian, Greek, German, Italian, Czech, Slovak, French, Polish, Dutch, Portuguese, Spanish, Romanian, Danish, Swedish, Norwegian, Finnish, Croatian, Slovenian, Serbian, Turkish, Korean, Traditional Chinese, Thai, Vietnamese, Japanese, Latvian, Lithuanian, Portuguese (Brazil), Ukrainian
General Function	Heartbeat, mirror, flash log
Startup and Operating Conditions	-20 °C to 50 °C (-4 °F to 122 °F). Humidity 95% or less (non-condensing)
Dimension	679 mm × 443 mm × 760 mm (26.7" × 17.4" × 29.9")
Package Dimension	910 mm × 350 mm × 450 mm (35.8" × 13.8" × 17.7")
Weight	Approx. 11.570 kg (25.5 lb.)
With Package Weight	Approx. 16.21 kg (35.7 lb.)
Battery	
Battery Type	Ternary Lithium
Capacity	8.4 Ah × 2 packs
Max. Charging Voltage	12.6 V
Operating Temperature	<p>Charging: -20°C to 45 °C (-4 °F to 113 °F)</p> <p>Discharging: -20 °C to 55 °C (-4 °F to 131 °F)</p>
Battery Voltage	9 V to 12.6 V
Cycle Lifetime	<p>Performance mode: 3.6 days,</p> <p>Proactive mode: 6 days,</p> <p>Standby mode: 30 days</p>
Battery Life	More than 500 cycles
Battery Weight	Approx. 1400 g (3.1 lb.)

Approval	
RF	<p>FCC ID: FCC Part 15.247 (BT or 2.4G), IC ID (RSS-247(BT or 2.4G)), CE-RED: EN 301489-1 V2.1.1 (BT or 2.4G), EN 301489-17 V3.1.1 (BT or 2.4G), EN 300328 V2.1.1 (BT or 2.4G), EN 62311: 2008 (BT or 2.4G)</p> <p>*FCC certification is only for the device sold in the North American region and the Latin American region. IC certification is only for the device sold in the North American region. CE certification is only for the device sold in the European region.</p>
EMC	<p>FCC: 47 CFR Part 15, Subpart B, CE-EMC: EN 55032: 2015, EN 61000-3-2:2019, EN 61000-3-3: 2013+A1:2019, EN 50130-4: 2011 +A1: 2014, RCM: AS/NZS CISPR 32: 2015, IC: ICES-003: Issue 7,</p> <p>*FCC certification is only for the device sold in the North American region and the Latin American region. IC certification is only for the device sold in the North American region. CE and RCM certifications are only for the device sold in the European region.</p>
Safety	<p>CB: IEC 62368-1: 2014+A11, CE-LVD: EN 62368-1: 2014/A11: 2017, LOA: IEC/EN 60950-1,</p> <p>*CE and LOA certifications are only for the device sold in the European region.</p>
Environment	<p>CE-RoHS: 2011/65/EU, WEEE: 2012/19/EU, Reach: Regulation (EC) No 1907/2006,</p> <p>*CE certification is only for the device sold in the European region.</p>
Protection	<p>IP67: IEC 60529-2013</p>

▪ Typical Application

Hikvision products are classified into three levels according to their anti-corrosion performance. Refer to the following description to choose for your using environment.

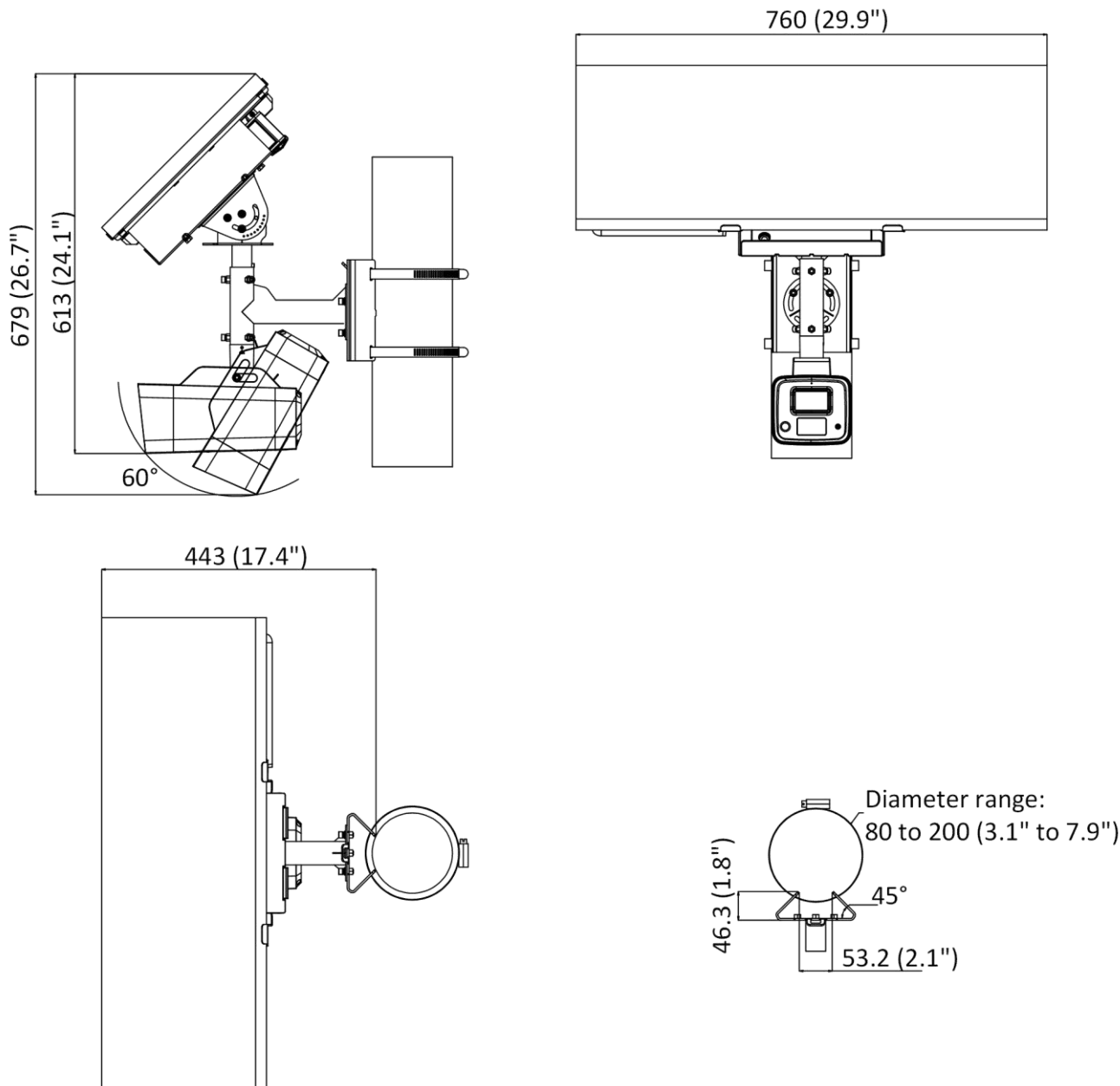
This model has NO SPECIFIC PROTECTION.

Level	Description
Top-level protection	Hikvision products at this level are equipped for use in areas where professional anti-corrosion protection is a must. Typical application scenarios include coastlines, docks, chemical plants, and more.
Moderate protection	Hikvision products at this level are equipped for use in areas with moderate anti-corrosion demands. Typical application scenarios include coastal areas about 2 kilometers (1.24 miles) away from coastlines, as well as areas affected by acid rain.
No specific protection	Hikvision products at this level are equipped for use in areas where no specific anti-corrosion protection is needed.

▪ **Available Model**

DS-2XS2T47G1-LDH/4G/C18S40 (4/6 mm)

▪ **Dimension**



Unit: mm (inch)

Headquarters

No.555 Qianmo Road, Binjiang District,
Hangzhou 310051, China
T +86-571-8807-5998
www.hikvision.com



Follow us on social media to get the latest product and solution information.

