

DS-3T0506HP-E/HS

4-Port Gigabit Unmanaged Hardened PoE Switch

DS-3T0506HP-E/HS switches are layer 2 Hi-PoE switches, providing advanced PoE power supply technology and wider temperature -22° to 149° F (-30° to 65° C) design on the basis of high-performance access to ensure stable data upload. The switches support Hi-PoE, long range, port isolation, and PoE watchdog function.

Available Model

DS-3T0506HP-E/HS

- 3 × Gb PoE Ports, 1 × Gb Hi-PoE Port, 2 × Gb SFP Fiber Optical Ports
- IEEE 802.3at/af/bt Standard for Hi-PoE Port (Maximum 60 W PoE Output)
- IEEE 802.3at/af Standard for PoE Ports (Maximum 30 W PoE Output)
- IEEE 802.3, IEEE 802.3u, IEEE 802.3x, IEEE 802.3z, and IEEE 802.3ab Standard
- 6 KV Surge Protection for PoE Ports
- PoE Output Power Management
- Up to 980 ft (300 m) Long-Range Transmission
- PoE Watchdog Auto Detects/Restarts Non-Responsive Cameras
- Port Isolation Improves Network Security
- Wide Temperature -22° to 149° F (-30° to 65° C)
- Wire-Speed Forwarding
- Store-and-Forward Switching
- Solid High-Strength Metal Shell
- Reliable Fan-Free Design



Specifications

| DS-3T0506HP-E/HS | | |
|--------------------|----------------------------------|---|
| Network Parameters | Port Number | 3 × gigabit PoE ports, 1 × gigabit Hi-PoE port, 2 × gigabit SFP fiber optical ports |
| | Port Type | RJ-45 port, full duplex, MDI/MDI-X adaptive |
| | Standard | IEEE 802.3, IEEE 802.3u, IEEE 802.3x, IEEE 802.3z, and IEEE 802.3ab |
| | Forwarding Mode | Store-and-forward switching |
| | Working Mode | Standard mode (default), Extend mode, Isolation mode, PoE watchdog mode |
| | Long-Distance Transmission Ports | Ports 3 and 4 |
| | MAC Address Table | 4K |
| | Switching Capacity | 22 Gbps |
| | Packet Forwarding Rate | 8.928 Mpps |
| | Internal Cache | 1.5 Mbits |
| PoE Power Supply | PoE Standard | Port 1: IEEE 802.3af, IEEE 802.3at, IEEE 802.3bt Ports 2 to 4: IEEE 802.3af, IEEE 802.3at |
| | PoE Power Pins | Ports 1 to 4: Ethernet cables 1/2/3/6 and 4/5/7/8 provide power supply simultaneously |
| | PoE Port | Ports 2 to 4 |
| | Hi-PoE Port | Port 1 |
| | Maximum Port Power | Port 1: 60 W Ports 2 to 4: 30 W |
| | PoE Power Budget | 60 W |
| Dialing Function | Long Range | Ports 3 and 4: up to 980 ft (300 m) |
| | Port Isolation | Ports 1 to 4: port isolation mode to improve network security |
| | PoE Watchdog | Ports 1 to 4: auto detect and restart cameras that do not respond |
| General | Shell | Metal material, fan-free design |
| | Gross Weight | 2.07 lb (0.94 kg) |
| | Net Weight | 0.84 lb (0.38 kg) |
| | Dimension (L × H × D) | 6.22" × 3.98" × 1.24" (158 mm × 101.2 mm × 31.6 mm) |
| | Operating Temperature | -22° to 149° F (-30° to 65° C) |
| | Storage Temperature | -40° to 185° F (-40° to 85° C) |
| | Operating Humidity | 5% to 95% (non-condensing) |
| | Storage Humidity | 5% to 95% (non-condensing) |
| | Power Supply | 48 to 57 VDC, 1.35 A maximum |
| | Power Consumption in Idle | <5 W |
| | Maximum Power Consumption | 65 W |
| Power Source | 65 W | |
| Approvals | EMC | FCC (47 CFR Part 15, Subpart B); CE-EMC (EN 55032: 2015, EN 61000-3-2: 2014, EN 61000-3-3: 2013, EN 55024: 2010 +A1: 2015); RCM (AS/NZS CISPR 32: 2015); IC (ICES-003: Issue 6, 2016) |
| | Safety | UL (UL 60950-1); CB (IEC 60950-1:2005 + Am 1:2009 + Am 2:2013); CE-LVD (EN 60950-1:2005 + Am 1:2009 + Am 2:2013) |
| | Chemistry | CE-RoHS (2011/65/EU); WEEE (2012/19/EU); Reach (Regulation (EC) No 1907/2006) |

Physical Interface

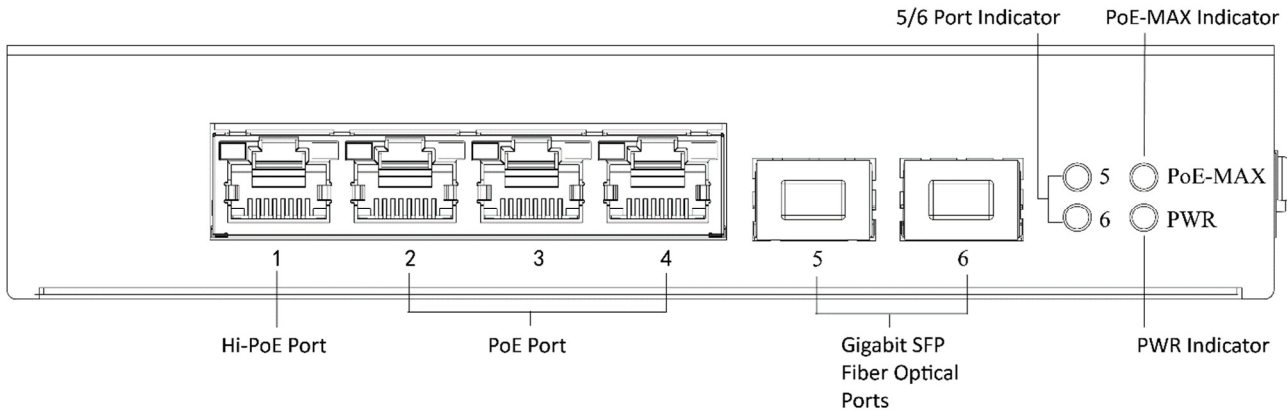


Figure 1, Front Panel

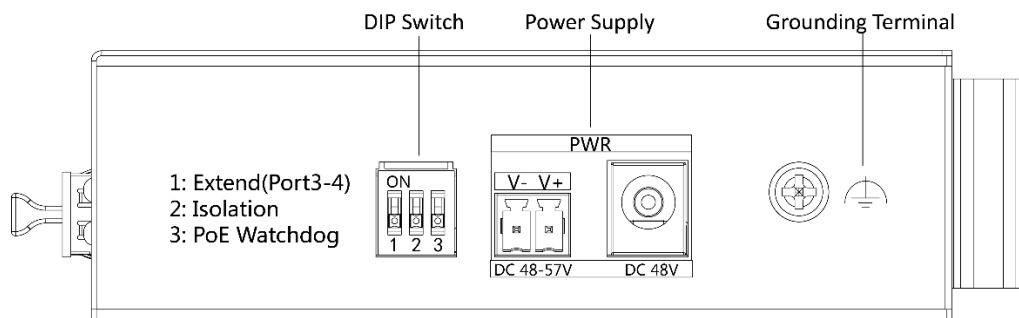
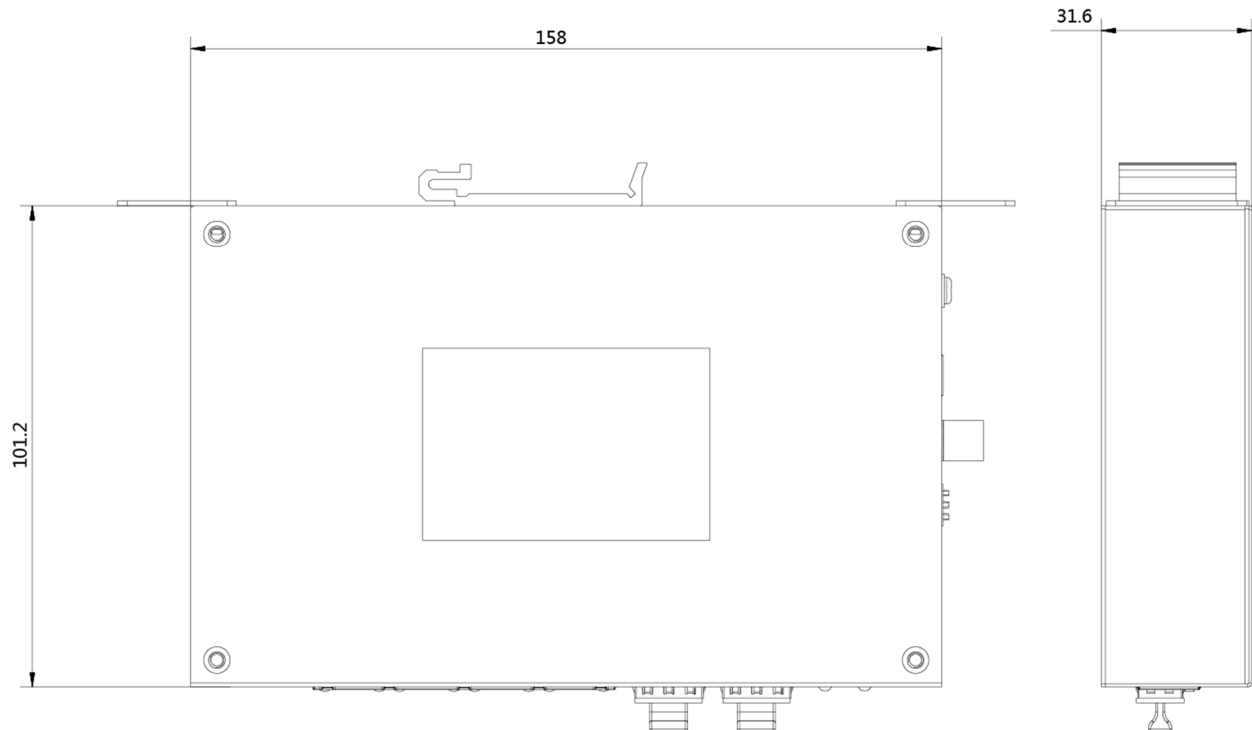


Figure 2, Back Panel

Dimensions



Typical Application

4-Port Gigabit PoE

Gigabit Unmanaged PoE

Pro-Series

