

DS-3T0510HP-E/HS

8-Port Gigabit Unmanaged Harsh Environment PoE Switch

DS-3T0510HP-E/HS switches are layer 2 Hi-PoE switches, providing advanced PoE power supply technology and wide temperature range (-22° to 149° F/-30 to 65° C) design on the basis of high-performance access to ensure stable data upload. The switches support Hi-PoE, long range, port isolation, and PoE watchdog function.

Available Model

DS-3T0510HP-E/HS

- 6 × Gb PoE RS-45 Ports, 2 × Gb Hi-PoE RJ-45 Ports, 2 × Gb SFP Fiber Optical Ports
- IEEE 802.3at/af/bt Standard for Hi-PoE Port (Maximum 90 W PoE Output)
- IEEE 802.3at/af Standard for PoE Ports (Maximum 30 W PoE Output)
- IEEE 802.3, IEEE 802.3u, IEEE 802.3x, IEEE 802.3z, and IEEE 802.3ab Standard
- 6 KV Surge Protection for PoE Ports
- PoE Output Power Management
- Up to 980 ft (300 m) Long-Range Transmission
- PoE Watchdog Auto Detects/Restarts Non-Responsive Cameras
- Port Isolation Improves Network Security
- Wide Temperature Range -22° to 149° F (-30° to 65° C)
- Wire-Speed Forwarding
- Store-and-Forward Switching
- Solid High-Strength Metal Shell
- Reliable Fan-Free Design



Specifications

DS-3T0510HP-E/HS		
Network Parameters	Port Number	6 × gigabit PoE RJ-45 ports, 2 × gigabit Hi-PoE RJ-45 ports, and 2 × gigabit SFP fiber optical ports
	Port Type	RJ-45 port, full duplex, MDI/MDI-X adaptive
	Standard	IEEE 802.3, IEEE 802.3u, IEEE 802.3x, IEEE 802.3z, and IEEE 802.3ab
	Forwarding Mode	Store-and-forward switching
	Working Mode	Standard mode (default), Extend mode, Isolation mode, PoE watchdog mode
	Long-Distance Transmission Ports	Ports 7 and 8
	MAC Address Table	4K
	Switching Capacity	20 Gbps
	Packet Forwarding Rate	14.88 Mpps
PoE Power Supply	Internal Cache	1.5 Mbits
	PoE Standard	Ports 1 and 2: IEEE 802.3af, IEEE 802.3at, IEEE 802.3bt Ports 3 to 8: IEEE 802.3af, IEEE 802.3at
	PoE Power Pin	Ports 1, 2, 7 and 8: Ethernet cables 1/2/3/6 and 4/5/7/8 provide power supply simultaneously Ports 3 to 6: Ethernet cables 1/2/3/6 provide power supply
	PoE Port	Ports 3 to 8
	Hi-PoE Port	Ports 1 and 2
	Maximum Port Power	Ports 1 and 2: 90 W Ports 3 to 8: 30 W
Dialing Function	PoE Power Budget	110 W
	Long Range	Ports 7 and 8: up to 980 ft (300 m)
	Port Isolation	Ports 1 to 8: port isolation mode to improve network security
General	PoE Watchdog	Ports 1 to 8: auto detect and restart the cameras that do not respond
	Shell	Metal material, fan-free design
	Gross Weight	2.45 lb (1.11 kg)
	Net Weight	1.29 lb (0.585 kg)
	Dimension (L × H × D)	7.76" × 4.50" × 1.66" (197 mm × 114.2 mm × 42.2 mm)
	Operating Temperature	-22 °F to 149 °F (-30° to 65° C (I))
	Storage Temperature	-40° to 85° C (-40° to 185° F)
	Operating Humidity	5% to 95% (non-condensing)
	Storage Humidity	5% to 95% (non-condensing)
	Power Supply	48 to 57 VDC, 2.5 A maximum
Approvals	Power Consumption in Idle	<10 W
	Max. Power Consumption	120 W
	Power Source	120 W
Approvals	EMC	FCC (47 CFR Part 15, Subpart B); CE-EMC (EN 55032: 2015, EN 61000-3-2: 2014, EN 61000-3-3: 2013, EN 55024: 2010 +A1: 2015); RCM (AS/NZS CISPR 32: 2015); IC (ICES-003: Issue 6, 2016)
	Safety	UL (UL 60950-1); CB (IEC 60950-1:2005 + Am 1:2009 + Am 2:2013); CE-LVD (EN 60950-1:2005 + Am 1:2009 + Am 2:2013)
	Chemistry	CE-RoHS (2011/65/EU); WEEE (2012/19/EU); Reach (Regulation (EC) No 1907/2006)

Physical Interface

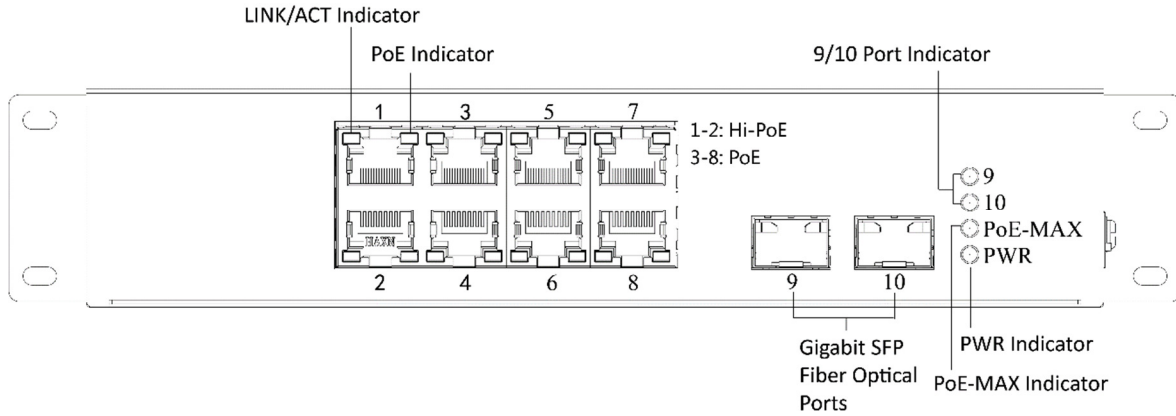


Figure 1, Front Panel

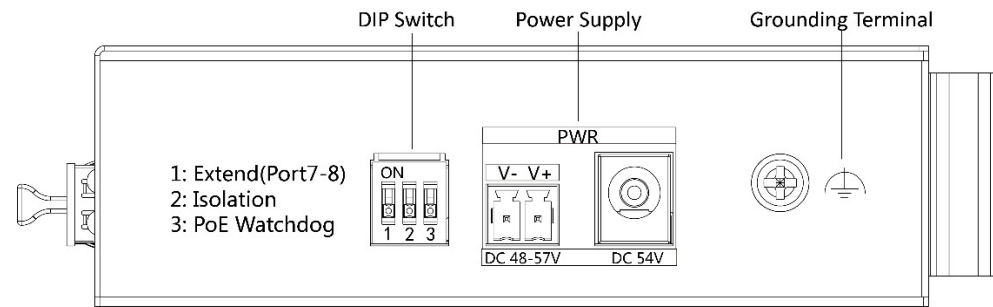
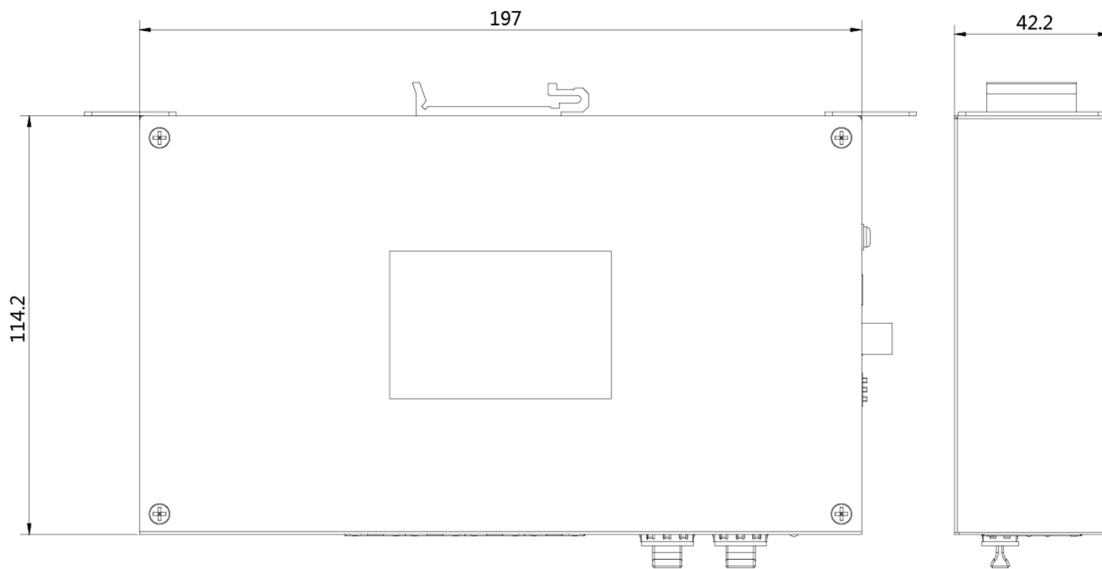


Figure 2, Back Panel

Dimensions



Typical Application

8-Port Gigabit PoE

Gigabit Unmanaged PoE

Pro-Series

