

DS-D2055NL-B/4TZ

2 x 2 Video Wall Kit



- 4 x DS-D2055NL-B 55-inch LCD Screens
- 4 x DS-DN4655W/U Wall-Mounted Brackets
- 1920 x 1080p Resolution
- 3.5 mm Bezel Width
- DID LCD Screen with 178° Wide Angle
- LED Direct-Lit Backlight with Uniform Brightness and No Boundary Shadow
- Up to 60,000 Hours Display Lifespan, Longer than Common Household Units
- Multiple Jointing Methods, for Various Scenes
- 24/7 Use

Hikvision's DS-D2055NL-B/4TZ virtual kit combines four 55-inch LCD screens and a wall-mounted bracket into one value-generating solution.

The DS-D2055NL-B LCD display unit adopts the SAMSUNG DID ultra-slim panel technology with bi-side seam only 3.5 mm wide between neighboring units. It is equipped with LED direct-lit backlighting with uniform brightness and no boundary shadow. Designed for industrial use, screen life is 60,000 hours—far longer than the lifespan of common household displays. The monitor has a built-in jointing controller enabling self jointing of the video signal. Besides, it has abundant interfaces for video inputs such as DVI, VGA, HDMI, and YPbPr. Also, various control methods are supported.

The DS-D2055NL-B 55-inch Video Wall LCD Display Monitors provides excellent color rendition and enhanced, 1920 x 1080 resolution. The DS-D2055NL-B is constructed of high-quality components and materials for 24/7 use.

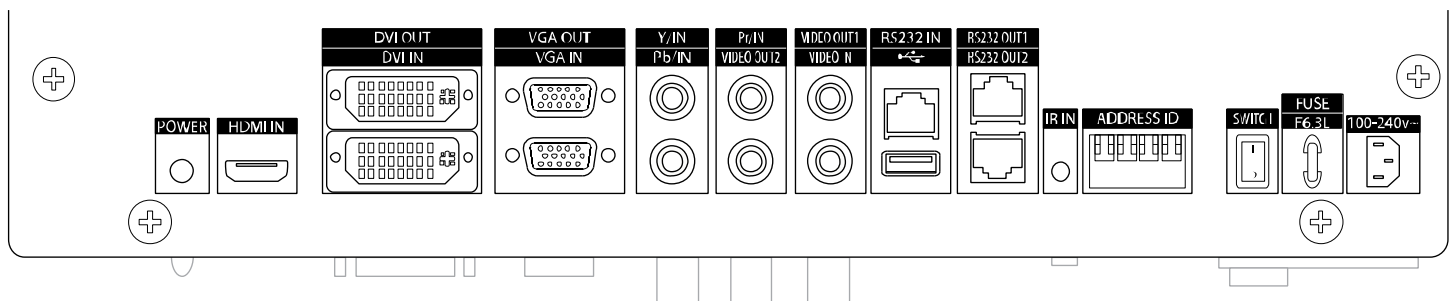
Available Models:

DS-D2055NL-B/4TZ

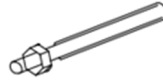
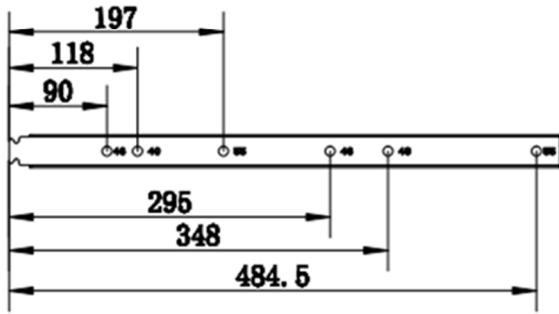
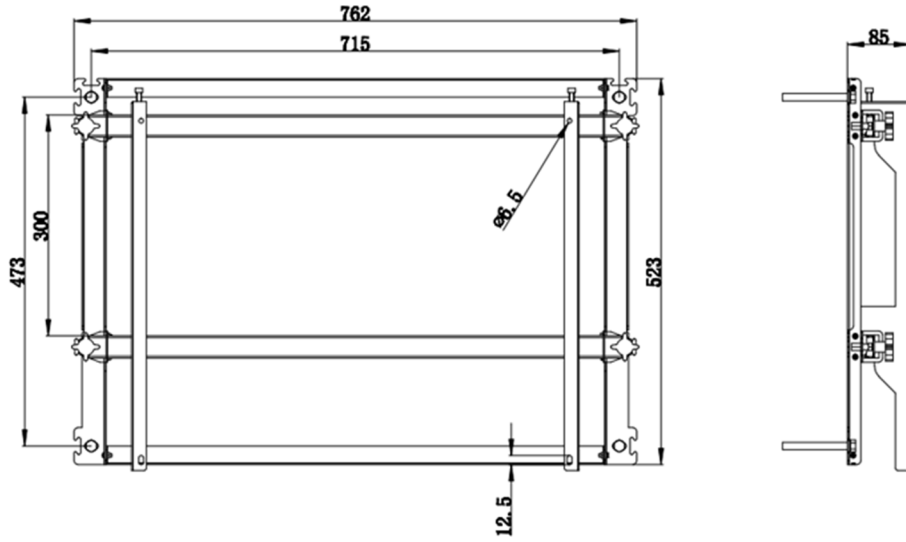
Specifications

DS-D2055NL-B Display Monitor	
Display	
Diagonal Size	55"
Backlight	LED backlight (direct type)
Panel	S-PVA
Resolution	1920 x 1080
Colors	16.7 M
Visual Angle	Horizontal: 178°, vertical: 178°
Response Time	8 ms (G to G)
Contrast	4000:1
Brightness	500 cd/m ²
Dot Pitch (H x V)	0.025" x 0.025" (0.63 mm x 0.63 mm)
Color Saturation	92%
Screen Moving Area (H x V)	47.62" x 26.79" (1209.6 mm x 680.4 mm)
Side Frame Size	
Physical Seam	3.5 mm (0.14")
Interface	
Input Interface	VGA × 1, DVI × 1, BNC × 1, YPbPr (BNC interface) × 1, HDMI × 1, AV-IN (BNC) × 1, RS-232 IN × 1, IR Jack (external interface for remote control), 3.5 mm stereo audio jack × 1
USB	For firmware upgrade
Output Interface	VGA (analog signal loop) × 1, DVI × 1 (able to loop output HDMI or DVI), BNC × 2, AV-OUT (signal loop output, BNC) × 1, RS-232 OUT (serial loop output) × 1
Control Interface	In: RS-232 × 1, Out: RS-232 × 2
ID SW	ID address encoder DIP switch; left four are BCD (Binary Coded-Decimal) vertical coordinates; last four are BCD horizontal coordinates
Power	
Power Consumption	192 W
Power Requirement	90–264 VAC
Power LED	Power indicators; red when standby; green when working; orange when fan malfunctions
Working Environment	
Operating Temperature	32°–104° F (0°–40° C)
Operating Humidity	10%–85% (non-condensing)
Working Life	≥60,000 hours
Physical Features	
Dimension (W×H×D)	47.78" × 26.94" × 4.44" (1213.5 mm × 684.3 mm × 112.9 mm)
Frame Width	Left/upper: 0.09" (2.3 mm), right/lower: 0.047" (1.2 mm)
DS-DN4655W/U Wall Mount Bracket	
Appearance	Hikvision black
Material	Cold-rolled steel plate (SPCC)
Dimensions (W x H x D)	Single bracket: 30" x 18.62" x 3.35" (762 mm x 473 mm x 85 mm)
Weight	Single bracket: 8.38 lb (3.8 kg)

DS-2055NL-B Display Monitor Rear Panel



DS-DN4655W/U Wall Mount Bracket Dimensions



M8X90 4 PCS