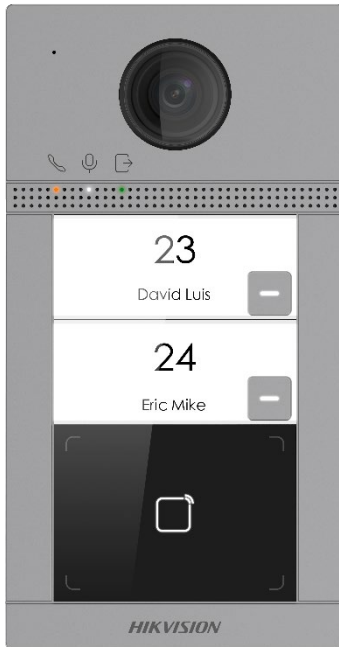


## DS-KV8213-WME1

### Video Intercom PoE Villa Door Station (Surface Mount)



The DS-KV8213-WME1 (Surface Mount) is a digital villa door station. It is compact, convenient, and easy to install.

It features a 2 MP CMOS low illumination color camera, which enables security applications in low-light conditions.

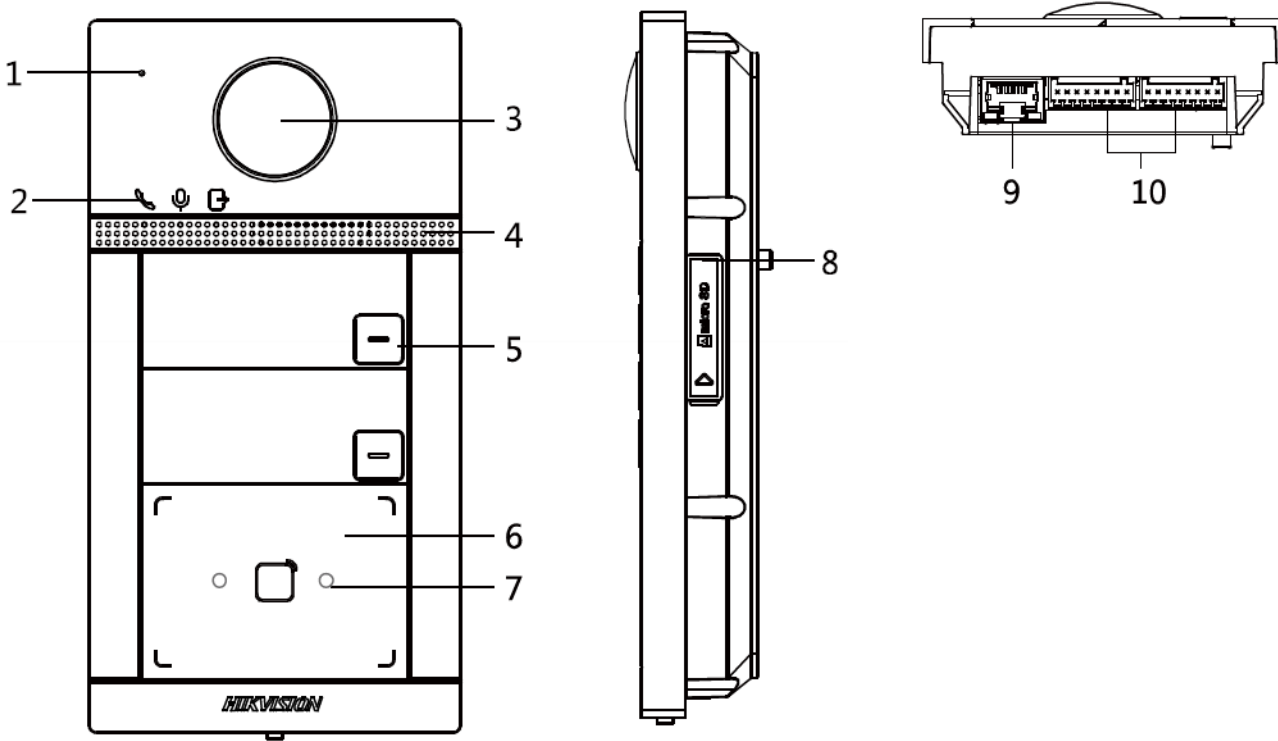
**Available Models:**  
DS-KV8213-WME1

- 2 MP HD Camera and High Performance CMOS
- Surface Mount
- Web Interface
- Access Control Function
- Noise Suppression and Echo Cancellation
- Low-Light Illumination
- Standard PoE
- Tampering Alarm
- Remote Configuration via Web
- 2.4 GHz Wi-Fi
- IP65 and IK8 Protection

# Specifications

DS-KV8213-WME1	
<b>System Parameters</b>	
Flash	32 Gb
RAM	256 Gb
Operation Method	Two-button
Operation System	Embedded Linux operating system
<b>Video Parameters</b>	
Camera	2 MP HD camera
Night Vision	Low illumination. IR supplement mode: 9.84 ft (3 m)
BLC	Supported
DNR	Supported
WDR	120 dB
Field of View	Horizontal: 129°, vertical: 75°
Video Compression Standard	H.264
Stream	Main stream: 1080p @ 30 fps, 720p @ 25 fps Sub-stream: D1 @ 25 fps
Resolution	Main stream: 1920 x 1080p, 720p Sub-stream: 704 x 576
Motion Detection	Supported
Anti-Flicker Frequency	50 Hz, 60 Hz
<b>Audio Parameters</b>	
Audio Intercom	Two-way audio communication
Audio Input	Built-in omnidirectional microphone
Audio Output	Built-in loudspeaker
Audio Compression Standard	G.711u
Audio Compression Rate	64 Kbps
Audio Quality	Noise suppression and echo cancellation
<b>Network Parameters</b>	
Wired Network	10/100 Mbps Ethernet
Network Protocol	TCP/IP, RTSP
<b>Access Control Parameters</b>	
Reading Frequency	13.56 MHz
Card Type	Mifare
Relay	2
<b>Interfaces</b>	
RS-485	1
Wi-Fi	2.4 GHz Wi-Fi
Debugging Port	1
TF Card	Up to 128 Gb
Alarm Input	4
Grounding	1
Tamper Switch	1
Physical Buttons	2
<b>General</b>	
Protection Level	IP65, IK8
Indicators	3
Power Supply	IEEE802.3af, standard PoE, 12 VDC
Power Consumption	< 10 W
Working Temperature	-40° to 127.4° F (-40° to 53° C)
Working Humidity	10 to 95%
Installation	Surface mounting
Dimensions (L x W x H)	6.85" x 3.58" x 1.14" (174 mm x 91 mm x 29 mm)

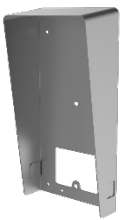
## Landmarks



No.	Description	No.	Description
1	Microphone	6	Card Reading Area
2	Indicator	7	IR Light
3	Camera	8	MicroSD Card Slot and Debugging Area
4	Loudspeaker	9	LAN
5	Button	10	Terminals

## Accessories

NOT INCLUDED



DS-KABV8113-RS  
(Surface Mount)  
Protective Shield