

DS-MP5604(1T)

Mobile Video Recorder



- User-Friendly GUI
- Pluggable Wi-Fi Module
- Built-in GPS
- Supports Hikvision Private Protocol
- Supports 4 HD-TVI Cameras, up to 1080p
- Supports 4 IP Cameras up to 1080p (Extendable via PoE Switch)
- Pluggable Dummy HDD w/up to 2 TB Capacity
- Pre-Installed 1 TB HDD
- Collects Driving Information
- Aviation Connectors Ensure Signal Stability
- Shutdown Delay (0 h to 6 h) and 24-Hour Scheduled Startup/Shutdown
- Vehicle Battery Protection
- Wide-Range Power Input (+9 VDC to +32 VDC)
- Power-Off Protection Prevents Key Data Loss
- Aluminum Die-Cast Chassis, No Fan Design
- Software-Based Firewall
- PTZ Camera Control
- Access via Web Browser

Hikvision's DS-MP5604(1T) Mobile Video Recorder supports up to four HD-TVI cameras and four IP cameras and collects driving information. The DS-MP5604(1T) features vehicle battery protection, power off protection, and built-in GPS.

A user-friendly GUI and Web interface supports PTZ control. A pluggable Wi-Fi module is available.

Available Model

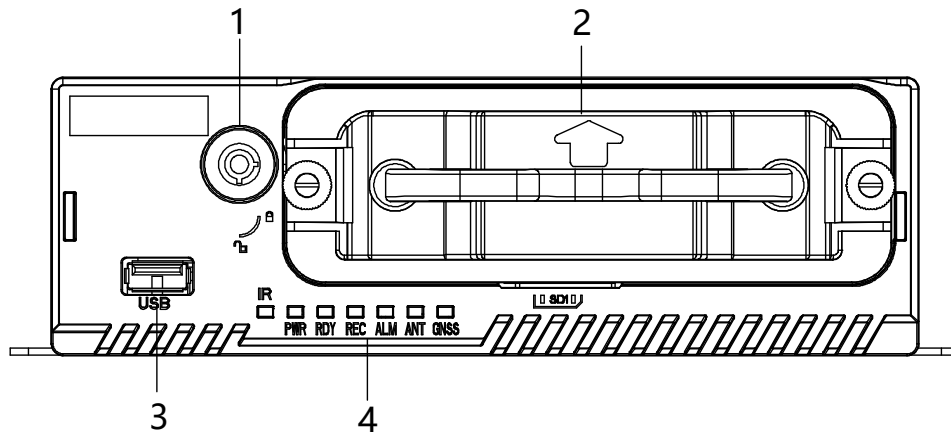
DS-MP5604(1T)

Specifications

DS-MP5604(1T)		
Video/Audio Input		
Analog Camera	4 analog cameras, up to 1080p resolution	
IP Camera	4 IP cameras, up to 1080p resolution (extendable via PoE switch)	
Two-Way Audio	1, integrated in EXT.DEV interface	
Video/Audio Output		
Video Output	Main output: 1, integrated in EXT.DEV interface VGA: 1	
Audio Output	1	
Encoding/Decoding		
Video Compression	H.264/H.265	
Encoding Resolution	Main stream: 1080p/720p/WD1/4CIF Sub-stream: 4CIF/2CIF/CIF	
Frame Rate	PAL	1 to 12 fps @ 1080p 1 to 25 fps @ 720p
	NTSC	1 to 12 fps @ 1080p 1 to 30 fps @ 720p
Audio Compression	G.711/G.722.1	
Stream Type	Video, video & audio	
Audio Bitrate	16 Kbps	
Dual Stream	Supported	
Storage		
HDD/SSD	1 × 2.5 inch HDD/SSD slot, with 1 TB HDD pre-installed, while compatible with 2 TB HDD for capacity extension A dummy HDD with USB 3.0 interface	
SD Card	1 × SD card, up to 256 GB	
Wireless Network		
Wi-Fi	WI58 model: 2 × 5.8 G Wi-Fi SMA antenna (Optional. 802.11B/G/N and 802.11AC are selectable. 1 antenna is needed for 802.11B/G/N module. 2 antennas are needed for 802.11AC module) *Wi-Fi function is supported only when equipped with DS-MP1460/WI58 Mobile Wireless Component	
Positioning		
GNSS (Global Navigation Satellite System)	GPS (Global Positioning System) and GLONASS (Global Navigation Satellite System), 1 × Rosenberger antenna	
G-Sensor		
G-Sensor	Built-in	
External Interface		
Network Interface	1 × 10M/100M M12 6-pin aviation connector	
Serial Port	2 × RS-232, 1 × RS-422 (integrated in EXT.DEV interface)	
USB Interface	Front panel: 1 × USB 2.0	
	Rear panel: 1 × USB 2.0 (5-pin aviation connector)	
Sensor-in	4 high/low level signal inputs	
Alarm Input	4 high/low level signal inputs, 1 pulse signal input, 1 button input	
Alarm Output	2 relay signal outputs	
General		
Operating Method	Mouse, IR remote control, Web control, and touchscreen	
Power Supply	9 to 32 VDC	
Consumption	Standby: ≤0.5 W	
	Full load: ≤45 W NOTE: Without peripheral and storage media ≤20 W	
Working Temperature	Device that provides dummy HDD with heating function: -30° to +60° C (-22° to +140° F) Other devices: -10° to +60° C (+14° to +140° F)	
Working Humidity	10% to 95% (non-condensing)	
Dimension (W × D × H)	206 mm × 225.4 mm × 60.1 mm (8.1" × 8.87" × 2.37")	
Weight (w/o Storage Media)	1.7 kg (3.7 lb)	

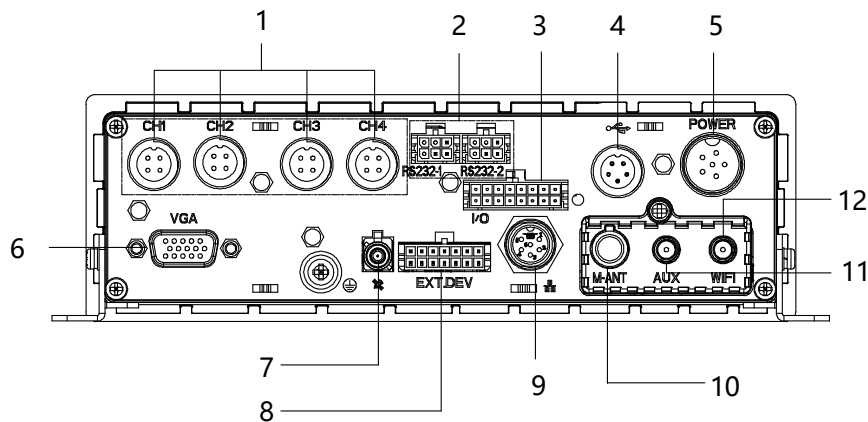
Interface

Front Panel



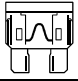
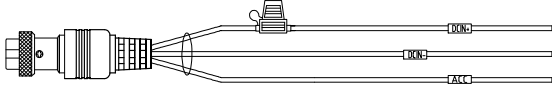
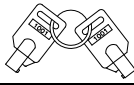
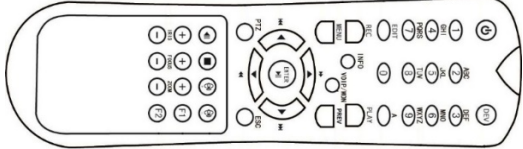
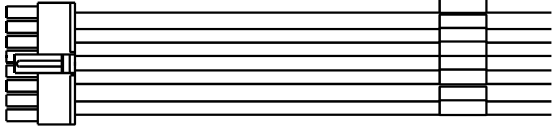
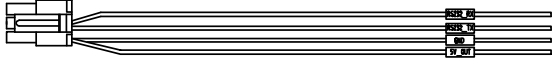
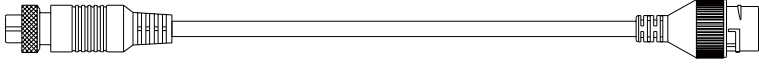
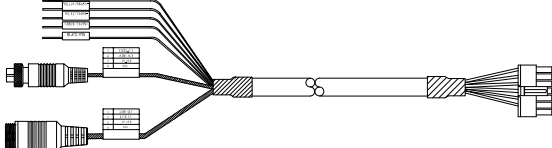

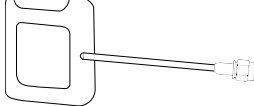
No.	Name	No.	Name
1	Dummy HDD/SSD lock	4	PWR: Power indicator
2	Dummy HDD/SSD		RDY: Ready indicator
3	USB 2.0 Interface		REC: Record indicator
			ALM: Alarm indicator
			ANT: Dialing indicator
			GNSS: GPS indicator

Rear Panel



No.	Name	No.	Name
1	Analog camera input	7	GNSS antenna interface
2	RS-232 interface	8	RS-422 communication interface, two-way audio interface, and CVBS video output
3	Alarm in, alarm out, and sensor-in	9	Network interface
4	USB 2.0 or 5-pin aviation connector	10	Reserved
5	Power supply	11	Auxiliary Wi-Fi antenna interface
6	VGA video output interface	12	Wi-Fi antenna interface

Contents

Description	Qty	Picture	Note
Fuse	2		10 A
Power Cord	1		300 mm
Key	1		
Remote Control	1		
Alarm Line	1		300 mm
RS-232 Line	1		300 mm
Switching line of 6-pin connector to RJ-45 interface	1		400 mm
Extension Cable	1		300 mm
Screwdriver	1		
GPS Antenna	1		5 m

Peripheral Connections

