

Hik-Connect Remote Access Platform and Mobile App Simple NVR/DVR/IPC and Intercom Remote Connection



Links

- QR Code to All Links

SCAN TO ACCESS ON YOUR MOBILE



- **Hik-Connect Website**
<https://www.hik-connect.com/>
- **Free Smart Phone Hik-Connect App**
 - **Apple iPhone/iPad iOS App**
<https://itunes.apple.com/ca/app/hik-connect/id1087803190?mt=8>
 - **Android Phones App**
<https://us.hikvision.com/en/products/software/hikvision-app-store/Hik-Connect>

Hik-Connect is a remote access platform and mobile app that is designed to allow quick setup of your security cameras for remote viewing via the Internet on a smart phone, tablet, desktop PC, or Web browser.

Depending on your needs, there are two different service offerings:

- **Hik-Connect P2P Service**

Hik-Connect P2P service allows for remote access using the Peer-to-Peer (P2P) protocol. The P2P service is established through mobile apps and/or computer software.

- **Hik-Connect DDNS Service**

The Hik-Connect DDNS Service uses a two stage authentication procedure when accessing your device remotely. The DDNS allows you to give your device a URL and access via the Internet Explorer browser, apps, and/or computer software.

Once an account is created and device(s) are added, accounts can easily “share” access to these devices with other Hik-Connect users.

Specifications

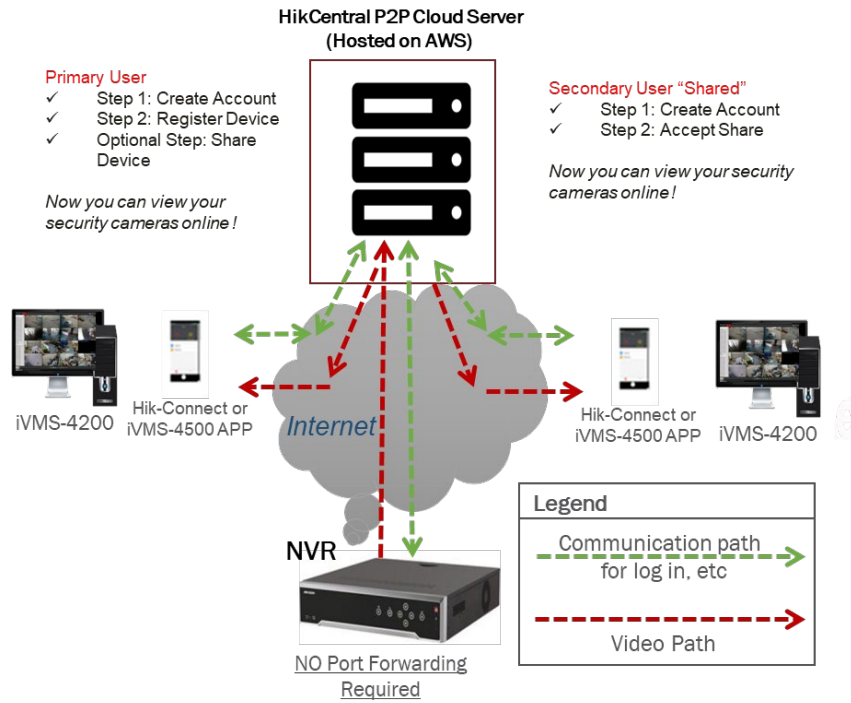
Feature	Hik-Connect P2P Service	Hik-Connect DDNS Service
Requires Hik-Connect Account(s)	Yes	Yes
Port Forwarding ¹ Required	No	Yes
Dual Authentication (Hik-Connect and Device)	No	Yes
Maximum Continuous Live Viewing per Camera	Stream Media Server: 5 min P2P: Unlimited	Unlimited
Number of Simultaneous Playback Streams	4	4
Ability to Connect via Internet Explorer Web Browser	No	Yes
Fast Forwarding Playback—Adjusting the video footage playback speed	Limited device support (see below notes*)	Yes

***NOTES:** Fast forwarding is available in DDNS mode. In P2P mode, currently only limited Hikvision devices support this function such as: K Series DVRs (v4.21 or higher). Please be informed this function is an interactive implementation with Hikvision devices, future support of the this function will be based upon the device-side support plan.

Hik-Connect Mobile App Technical Parameters	
Item	Parameter
Maximum Connected Devices (Hik-Connect Domain, Device Added via Serial #)	1024
Maximum Selectable Channels for Live View or Playback	256
Maximum Shared Accounts (By One Channel)	64
Maximum Streaming Number (One Channel/Live View)	20
Maximum Cameras for Simultaneously Live Views	16
Maximum Cameras for Simultaneously Playback	4* *supported models only, some economical DVRs may support only 1 channel, depending on hardware capability
Maximum Favorites Folders	32
Maximum Users for Receiving Shared Devices	100
Video Encoding	H.264, MPEG4, MJPEG, H.264+, H.265, H.265+
Audio Encoding	G711_A,G711,U,AAC (advance audio coding)
Compatible Devices	DVRs, NVRs, cameras, video intercom devices

¹ Minimize the port numbers exposed to the Internet. Port forwarding should be configured only when absolutely necessary. Avoid common ports, and reconfigure them to customized port numbers.

Hik-Connect P2P service



Hik-Connect DDNS service

