

## iDS-2CD7546G0-IZHS(8)(Y) 4 MP IR Varifocal Dome Network Camera

## DarkFighter™



- 4 MP Resolution
- DarkFighter Technology for Excellent Low-Light Performance
- 140 dB WDR
- H.265+ Compression
- Smooth Live View and Data Self-Correcting
- 5 Streams + Up to 5 Custom Streams
- Water, Dust Resistant (IP67), Vandalproof (IK10)
- Anti-IR Reflection Bubble

### Attribute-Based People Counting

Embedded deep learning algorithms integrate multiple intelligences. They count people, sample face features, and identify people who pass repeatedly over a period of time. They count persons and send a face alarm for entrance control and people counting.

### Hard Hat Detection

Embedded deep learning algorithms detect persons in a specified region. They detect if the person is wearing a hard hat and captures the person's head and sends an alarm if not.

### Multi-Target-Type Detection

Embedded deep learning algorithms detect and capture the face and human body in specified regions and outputs features such as gender, age, and top color. It supports a structured modeling of the face and human body to achieve structured data collection.

### Queue Management

Embedded deep learning based algorithms detect queued people number and waiting times. The body feature detection algorithm filters out wrong targets and increases detection accuracy.

### Metadata

Metadata uses individual application data instances or the data content. Metadata can be used for third-party application development.

### Smooth Streaming

Smooth streaming improves video quality in different network conditions. For example, in poor network conditions, adapting to the detected real-time network condition, streaming bit rate and resolution are automatically adjusted to avoid mosaic and lower latency in live view; in multiplayer network conditions, the camera transmits redundant data for self-error correcting in back-end device to solve mosaic problems because of packet loss and error rate.

### Anti-Corrosion Coating (-Y)

The camera adopts high weatherproof and wearproof molding powder that conforms to AAMA2604-02 and Qualicoat (Class2)



specifications and uses two-layer special spraying technology, so its surface has excellent long-term anti-corrosion performance and physical protection function. All exposed screws use SUS316 material and feature high anti-corrosion performance. The camera meets anti-corrosion requirements NEMA 250-2018.

## Available Models

iDS-2CD7546G0-IZHS: 2.8 mm–12 mm lens

iDS-2CD7546G0-IZHSY: 2.8 mm–12 mm lens, RS-485, anti-corrosion

iDS-2CD7546G0-IZHS8: 8 mm–32 mm lens

## Specifications

	iDS-2CD7546G0-IZHS	iDS-2CD7546G0-IZHSY	iDS-2CD7546G0-IZHS8
<b>Camera</b>			
	Image Sensor 1/1.8" progressive scan CMOS		
Minimum Illumination (w/AGC on)	Color @ <i>f</i> /1.2	0.001 lux	---
	B/W @ <i>f</i> /1.2	0.0003 lux	---
	Color @ <i>f</i> /2.5	0.0043 lux	---
	B/W @ <i>f</i> /2.5	0.0013 lux	---
	Color @ <i>f</i> /1.7	---	0.002 lux
	B/W @ <i>f</i> /1.7	---	0.0006 lux
	Color @ <i>f</i> /1.73	---	0.0021 lux
	B/W @ <i>f</i> /1.73	---	0.00062 lux
Shutter Speed	1 s to 1/100,000 s		
Slow Shutter	Yes		
P/N	P/N		
Wide Dynamic Range	140 dB		
Day/Night	IR cut filter		
Angle Adjustment	Pan: 0° to 355°, tilt: 0° to 75°, rotate: 0° to 355°		
Power-Off Memory	Yes		
Flash Memory	8 GB		
RAM	2 GB		
<b>Lens</b>			
Focus	Auto, semi-auto, manual		
Lens	2.8 mm to 12 mm		8 mm to 32 mm
FOV	Horizontal	114.5° to 41.8°	42.5° to 15.1°
	Vertical	59.3° to 23.6°	23.3° to 8.64°
	Diagonal	141.1° to 48°	49.6° to 17.3°
	Aperture	<i>f</i> /1.2 to <i>f</i> /2.5	
Lens Mount	Integrated		
Blue Glass Module	Blue glass module to reduce ghost phenomenon		
P-Iris	Yes		
<b>Illuminator</b>			
IR Range	98' (30 m)		164' (50 m)
Wavelength	850 nm		
Smart Supplement Light	Yes		
<b>Video</b>			
Maximum Resolution	2680 × 1520		
Main Stream	50 Hz: 25 fps (2680 × 1520, 2560 × 1440, 1920 × 1080, 1280 × 720)		
	60 Hz: 30 fps (2680 × 1520, 2560 × 1440, 1920 × 1080, 1280 × 720)		
Sub-Stream	50 Hz: 25 fps (704 × 576, 640 × 480)		
	60 Hz: 30 fps (704 × 480, 640 × 480)		
Third Stream	50 Hz: 25 fps (1920 × 1080, 1280 × 720, 704 × 576, 640 × 480)		
	60 Hz: 30 fps (1920 × 1080, 1280 × 720, 704 × 480, 640 × 480)		
Fourth Stream	50 Hz: 25 fps (1920 × 1080, 1280 × 720, 704 × 576, 640 × 480)		
	60 Hz: 30 fps (1920 × 1080, 1280 × 720, 704 × 480, 640 × 480)		
Fifth Stream	50 Hz: 25 fps (704 × 576, 640 × 480)		
	60 Hz: 30 fps (704 × 480, 640 × 480)		
Custom Stream	50 Hz: 25 fps (1920 × 1080, 1280 × 720, 704 × 576, 640 × 480)		
	60 Hz: 30 fps (1920 × 1080, 1280 × 720, 704 × 480, 640 × 480)		
Video Compression	Main stream: H.265+/H.265/H.264+/H.264		
	Sub-stream/third stream/fourth stream/fifth stream/custom stream: H.265/H.264/MJPEG		
Video Bit Rate	32 Kbps to 16 Mbps		
H.264 Type	Baseline Profile/Main Profile/High Profile		
H.265 Type	Main Profile		
H.264+	Main Stream supports		
H.265+	Main Stream supports		

## Specifications (continued)

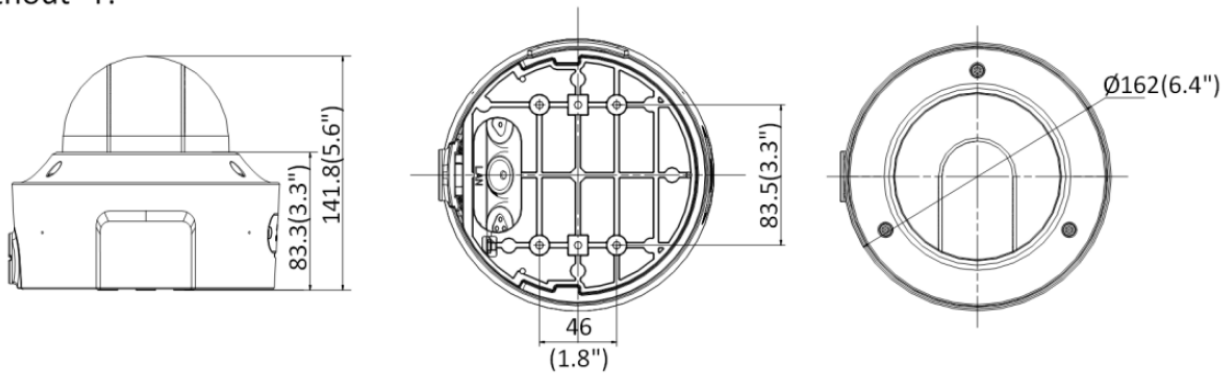
	iDS-2CD7546G0-IZHS	iDS-2CD7546G0-IZHSY	iDS-2CD7546G0-IZHS8
<b>Video (continued)</b>			
Bit Rate Control	CBR/VBR		
Stream Type	Main stream/sub-stream/third stream/fourth stream/fifth stream/custom stream		
Scalable Video Coding (SVC)	H.265 and H.264 support		
Region of Interest (ROI)	4 fixed regions for each stream		
<b>Audio</b>			
Environment Noise Filtering	Yes		
Audio Sampling Rate	8 kHz/16 kHz/32 kHz/44.1 kHz/48 kHz		
Audio Compression	G.711/G.722.1/G.726/MP2L2/PCM/MP3		
Audio Bit Rate	64 Kbps (G.711)/16 Kbps (G.722.1)/16 Kbps (G.726)/32-192 Kbps (MP2L2)/32 Kbps (PCM)/8-320 Kbps (MP3)		
Audio Type	Mono sound		
<b>Network</b>			
Simultaneous Live View	Up to 20 channels		
API	ONVIF (PROFILE S, PROFILE G, PROFILE T), ISAPI, SDK, ISUP		
Protocols	TCP/IP, ICMP, HTTP, HTTPS, FTP, SFTP, SRTP, DHCP, DNS, DDNS, RTP, RTSP, RTCP, PPPoE, NTP, UPnP, SMTP, SNMP, IGMP, 802.1x, QoS, IPv6, UDP, Bonjour, SSL/TLS		
Smooth Streaming	Yes		
User/Host	Up to 32 users. 3 user levels: administrator, operator, and user		
Security	Password protection, complicated password, HTTPS encryption, 802.1x authentication (EAP-TLS, EAP-LEAP, EAP-MD5), watermark, IP address filter, basic and digest authentication for HTTP/HTTPS, WSSE and digest authentication for ONVIF, RTP/RTSP OVER HTTPS, Control Timeout Settings, Security Audit Log, TLS 1.2		
Network Storage	MicroSD/SDHC/SDXC card (256 GB) local storage, and NAS (NFS, SMB/CIFS), auto network replenishment (ANR), together with high-end Hikvision memory card, memory card encryption and health detection are supported		
Client	iVMS-4200, Hik-Connect, HikCentral		
Web Browser	Plug-in required live view: IE8+ Plug-in free live view: Chrome 57.0+, Firefox 52.0+, Safari 11+ Local service: Chrome 41.0+, Firefox 30.0+		
<b>Image</b>			
Smart IR	Camera IR LEDs should support Smart IR function to automatically adjust power to avoid image overexposure		
Day/Night Switch	Day, Night, Auto, Schedule, Triggered by Alarm In		
Target Cropping	Yes		
Picture Overlay	Logo picture can be overlaid on video with 128 × 128 24-bit bmp format		
Image Enhancement	BLC, HLC, 3D DNR, Defog, EIS, Distortion Correction		
Image Parameters Switch	Yes		
Image Settings	Rotate mode, saturation, brightness, contrast, sharpness, gain, white balance adjustable by client software or Web browser		
SNR	≥52 dB		
<b>Interface</b>			
Alarm	1 input, 1 output (maximum 24 VDC, 1 A)		
Audio	1 input (line in), 3.5 mm connector, maximum input amplitude: 3.3 vpp, input impedance: 4.7K Ω, interface type: non-equilibrium; 1 output (line out), 3.5 mm connector, maximum output amplitude: 3.3 vpp, output impedance: 100 Ω, interface type: non-equilibrium, mono sound; 2 built-in microphones		
RS-485	---	RS-485 (half duplex, HIKVISION, Pelco-P, Pelco-D, self-adaptive)	---
Video Output	1 Vp-p composite output (75 Ω/CVBS) (for debugging only)		
On-board Storage	Built-in microSD/SDHC/SDXC slot, up to 256 GB		
Hardware Reset	Yes		
Communication Interface	1 RJ-45 10 M/100 M/1000 M self-adaptive Ethernet port		
Power Output	12 VDC, maximum 200 mA (supported by all power supply types)		
Heater	Yes		
<b>Smart Features</b>			
Basic Event	Motion detection, video tampering alarm, vibration detection, exception (network disconnected, IP address conflict, illegal login, HDD full, HDD error)		
Smart Event	Line crossing detection, up to 4 lines configurable intrusion detection, up to 4 regions configurable region entrance detection, up to 4 regions configurable region exiting detection, up to 4 regions configurable, unattended baggage detection, up to 4 regions configurable object removal detection, up to 4 regions configurable, scene change detection, audio exception detection, defocus detection		
Counting	Yes		
<b>Intelligent (Deep Learning Algorithm)</b>			
Multi-Target-Type Detection	Simultaneous detection of human body and face; gets 8 face features and 13 human body features		
Attribute-Based People Counting	Supports entering/exiting counting (track 30 targets simultaneously); identifies people who pass repeatedly over a period of time		
Hard Hat Detection	Detects up to 30 human targets simultaneously; up to 4 shield regions		

## Specifications (continued)

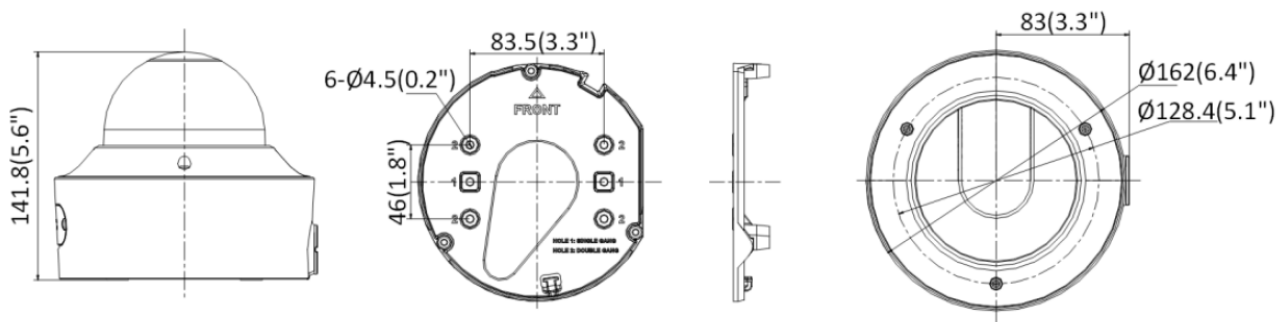
	iDS-2CD754660-IZHS	iDS-2CD754660-IZHSY	iDS-2CD754660-IZHS8	
<b>Intelligent (Deep Learning Algorithm)</b>	(continued)			
Queue Management	Detects queuing-up people number, and waiting time of each person; generates reports to compare efficiency of different queuing-ups and display the changing status of one queue; raw data export			
Premier Protection	Line crossing, intrusion, region entrance, region exiting; alarm trigger by specified target types (human, vehicle); filter out mistaken alarm caused by target types such as leaf, light, animal, flag, etc.			
<b>General</b>				
Linkage Method	Upload to FTP/NAS/memory card, notify surveillance center, send e-mail, trigger alarm output, trigger recording, trigger capture; trigger recording: memory card, network storage, pre-record and post-record; Trigger captured pictures uploading: FTP, SFTP, HTTP, NAS, e-mail; trigger notification: HTTP, ISAPI, alarm output, e-mail			
Online Upgrade	Yes			
Dual Backup	Yes			
Web Client Language	33 languages: English, Russian, Estonian, Bulgarian, Hungarian, Greek, German, Italian, Czech, Slovak, French, Polish, Dutch, Portuguese, Spanish, Romanian, Danish, Swedish, Norwegian, Finnish, Croatian, Slovenian, Serbian, Turkish, Korean, Traditional Chinese, Thai, Vietnamese, Japanese, Latvian, Lithuanian, Portuguese (Brazil), Ukrainian			
General Function	Anti-flicker, 5 streams and up to 5 custom streams, EPTZ, heartbeat, mirror, privacy masks, flash log, password reset via e-mail, pixel counter			
Software Reset	Yes			
Storage Conditions	-30° to 60° C (-22° to 140° F), humidity 95% or less (non-condensing)			
Startup and Operating Conditions	-40° to 60° C (-40° to 140° F), humidity 95% or less (non-condensing)			
Power Supply	12 VDC ±20%	Two-core terminal block, reverse polarity protection	Three-core terminal block, reverse polarity protection	Two-core terminal block, reverse polarity protection
	24 VAC ±20%	Two-core terminal block, reverse polarity protection	Three-core terminal block, reverse polarity protection	Two-core terminal block, reverse polarity protection
	PoE	802.3at, Type 2, Class 4	802.3at, Type 2, Class 4	802.3at, Type 2, Class 4
Power Consumption and Current	With Extra Load	12 VDC, 1.16 A, maximum 13.9 W PoE (802.3at, 42.5 V to 57 V), 0.33 A to 0.25 A, class 4 (*with extra load* means that an extra device is connected to and powered by the camera)		
	Without Extra Load	12 VDC, 0.98 A, maximum 12.5 W PoE (802.3at, 42.5 V to 57 V), 0.3 A to 0.22 A, class 4		
Power Interface	Two-core terminal block	Three-core terminal block	Two-core terminal block	
Camera Material	Aluminum alloy body			
Camera Dimension	Ø162 mm × 141.8 mm (Ø6.4" × 5.6")			
Package Dimension	251 mm × 215 mm × 189 mm (9.9" × 8.5" × 7.4")			
Camera Weight	1480 g (3.3 lb)	1550 g (3.4 lb)	1480 g (3.3 lb)	
With Package Weight	2407 g (5.3 lb)	2206 g (4.9 lb)	2407 g (5.3 lb)	
Anti-IR Reflection Bubble	Yes			
<b>Metadata</b>				
Metadata	Metadata of intrusion detection, line crossing detection, region entrance detection, region exiting detection, unattended baggage detection, object removal, face capture, and queue management			
<b>Approvals</b>				
Class	Class B			
EMC	FCC (47 CFR Part 15, Subpart B); CE-EMC (EN 55032: 2015, EN 61000-3-2: 2014, EN 61000-3-3: 2013, EN 50130-4: 2011 +A1: 2014); RCM (AS/NZS CISPR 32: 2015); IC (ICES-003: Issue 6, 2016); KC (KN 32: 2015, KN 35: 2015)			
Safety	UL (UL 60950-1); CB (IEC 60950-1:2005 + Am 1:2009 + Am 2:2013); CE-LVD (EN 60950-1:2005 + Am 1:2009 + Am 2:2013); BIS (IS 13252(Part 1):2010+A1:2013+A2:2015); LOA (IEC/EN 60950-1)			
Environment Protection	CE-RoHS (2011/65/EU); WEEE (2012/19/EU); Reach (Regulation (EC) No 1907/2006)			
Anti-Corrosion Protection	---	NEMA 4X (NEMA 250-2018)	---	

## Dimensions

Without -Y:



With -Y:










Unit: mm (inch)

## Accessories





For IDS-2CD7546G0-IZHS and IDS-2CD7546G0-IZHS8

NOT INCLUDED

						
<b>WML</b> Wall Mount	<b>PC155</b> Pendant Cap	<b>CPM</b> Ceiling Pendant Mount	<b>CM</b> Corner Mount	<b>PM</b> Pole Mount	<b>SRSL</b> Sun/Rain Shield	<b>SRS</b> Sun/Rain Shield

For IDS-2CD7546G0-IZHSY

NOT INCLUDED

			
<b>DS-1473ZJ-155-Y</b> Wall Mount with Pendant Cap	<b>DS-1471ZJ-155-Y</b> Ceiling Mount with Pendant Cap	<b>DS-1475ZJ-Y</b> Pole Mount	<b>DS-1476ZJ-Y</b> Corner Mount