

iDS-2CD7A46G0-IZHSY 8-32 mm 4 MP IR Varifocal Bullet Network Camera

DarkFighter™



DeepinView^{series}

- High Quality 4 MP Resolution
- Excellent Low-Light Performance via DarkFighter Technology
- Clear Imaging Against Strong Backlight Due to 140 dB WDR Technology
- Efficient H.265+ Compression Technology To Save Bandwidth and Storage
- Advanced Streaming Technology that Enables Smooth Live View and Data Self-Correcting in Poor Network
- 5 Streams and up to 5 Custom Streams to Meet a Wide Variety of Applications
- Water and dust resistant (IP67) and vandal proof (IK10)

Face Capture

With embedded deep learning based algorithms, the camera is able to give the best shot of a target face through detecting, tracking, capturing, grading, and selecting. The camera captures faces and outputs the features such as gender, age, and expression.

The camera uses the face exposure function to dynamically adjust the face area exposure of captures and ensures high face picture quality.

Perimeter Protection

With embedded deep learning-based target detection and classification algorithms, the camera carries out the duty of perimeter protection, monitoring the actions of line crossing, intrusion, region entrance, and region exiting. The algorithms greatly filter out mistaken alarms caused by the interference of leaves, lights, animals, flags, etc.

Multi-Target-Type Recognition

With the embedded deep learning algorithms, the camera detects and captures faces, human bodies, and vehicles in the specified region and outputs the features such as gender, age, top color, and vehicle type.

Available Model

iDS-2CD7A46G0-IZHSY 8-32 mm



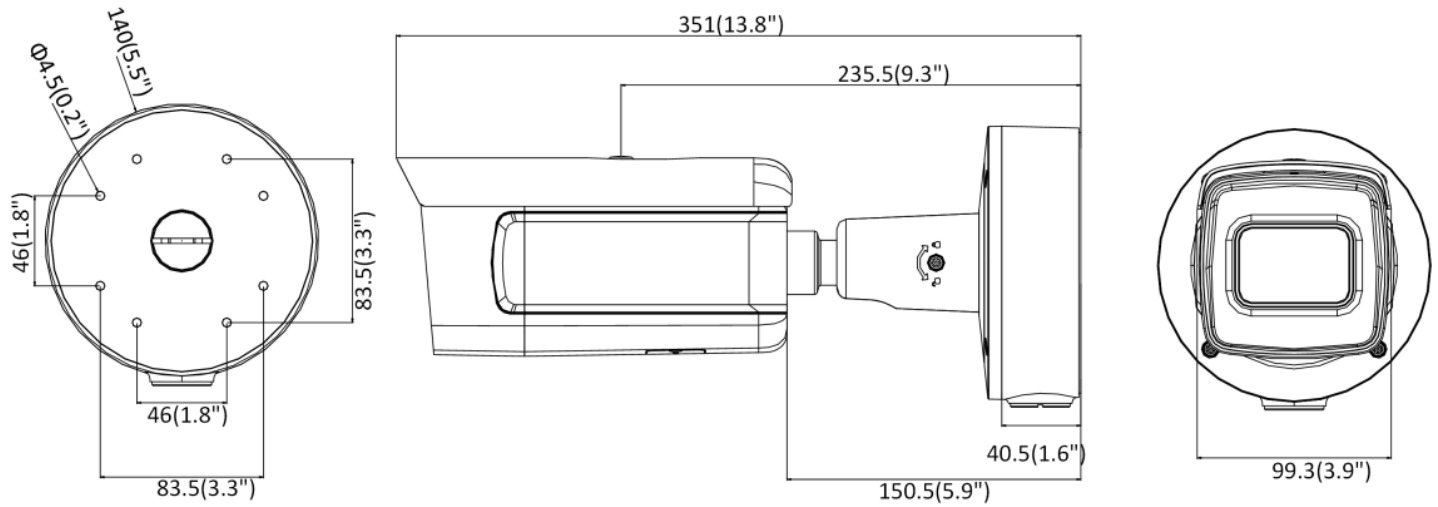
Specifications

iDS-2CD7A4660-IZHSY 8-32 mm	
Camera	
Maximum Resolution	2560 × 1440
Minimum Illumination	Color: 0.002 lux @ (f/1.7, AGC on); B/W: 0.0006 lux @ (f/1.7, AGC on) Color: 0.0021 lux @ (f/1.73, AGC on); B/W: 0.00062 lux @ (f/1.73, AGC on)
Shutter Speed	1 s to 1/100,000 s
Image Sensor	1/1.8" progressive scan CMOS
Day/Night	IR cut filter, blue glass module to reduce ghost phenomenon
Lens	
Focal Length and FOV	8 to 32 mm, horizontal FOV: 42.5° to 15.1°, vertical FOV: 23.3° to 8.64°, diagonal FOV: 49.6° to 17.3°
Focus	Auto, semi-auto, manual
Iris Type	P-Iris
Aperture	f/1.7 to f/1.73
Illuminator	
IR Wavelength	850 nm
Supplement Light Type	IR
Supplement Light Range	330 ft (100 m)
Smart Supplement Light	Yes
Video	
Main Stream	50 Hz: 50 fps (2560 × 1440, 1920 × 1080, 1280 × 720) 60 Hz: 60 fps (2560 × 1440, 1920 × 1080, 1280 × 720)
Video Bit Rate	32 Kbps to 8 Mbps
Sub-Stream	50 Hz: 25 fps (704 × 480, 640 × 480) 60 Hz: 30 fps (704 × 480, 640 × 480)
Third Stream	50 Hz: 25 fps (1920 × 1080, 1280 × 720, 704 × 480, 640 × 480) 60 Hz: 30 fps (1920 × 1080, 1280 × 720, 704 × 480, 640 × 480)
Fourth Stream	50 Hz: 25 fps (704 × 480, 640 × 480) 60 Hz: 30 fps (704 × 480, 640 × 480)
Video Compression	H.265+/H.265/H.264+/H.264/MJPEG
H.264 Type	Baseline Profile/Main Profile/High Profile
H.265 Type	Baseline Profile/Main Profile/High Profile
Bit Rate Control	CBR/VBR
Scalable Video Coding (SVC)	H.264 and H.265 encoding
Region of Interest (ROI)	4 fixed regions for main stream, sub-stream, third stream, fourth stream and fifth stream
Target Cropping	Yes
Fifth Stream	50 Hz: 25 fps (704 × 480, 640 × 480) 60 Hz: 30 fps (704 × 480, 640 × 480)
Audio	
Audio Type	Mono sound
Audio Compression	G.711/G.722.1/G.726/MP2L2/PCM/AAC/MP3
Audio Bit Rate	64 Kbps (G.711)/16 Kbps (G.722.1)/16 Kbps (G.726)/32 to 192 Kbps (MP2L2)/16 to 64 Kbps (AAC)/8 to 320 Kbps (MP3)
Audio Sampling Rate	8 kHz/16 kHz/32 kHz/44.1 kHz/48 kHz
Environment Noise Filtering	Yes
Network	
Protocols	TCP/IP, ICMP, HTTP, HTTPS, FTP, SFTP, SRTP, DHCP, DNS, DDNS, RTP, RTSP, RTCP, PPPoE, NTP, UPnP, SMTP, SNMP, IGMP, 802.1x, QoS, IPv6, UDP, Bonjour, SSL/TLS
Simultaneous Live View	Up to 20 channels
API	Open Network Video Interface (PROFILE S, PROFILE G, PROFILE T), ISAPI, SDK, ISUP
User/Host	Up to 32 users, 3 user levels: administrator, operator, and user
Security	Password protection, complicated password, HTTPS encryption, 802.1x authentication (EAP-TLS, EAP-LEAP, EAP-MD5), watermark, IP address filter, basic and digest authentication for HTTP/HTTPS, WSSE and digest authentication for Open Network Video Interface, RTP/RTSP OVER HTTPS, Control Timeout Settings, Security Audit Log, TLS 1.2
Network Storage	NAS (NFS, SMB/CIFS), auto network replenishment (ANR); together with high-end Hikvision memory card, memory card encryption and health detection are supported
Client	iVMS-4200, Hik-Connect
Web Browser	Plug-in required live view: IE9+, Chrome 41.0 to 44, Firefox 30.0 to 51, Safari 8.0 to 11 Plug-in free live view: Chrome 45.0+, Firefox 52.0+ Not recommended: Safari 11+, Edge
Image	
Wide Dynamic Range (WDR)	140 dB
Target Cropping	Yes
Image Parameters Switch	Yes
Image Settings	Saturation, brightness, contrast, sharpness, white balance, and AGC adjustable by client software or Web browser
Day/Night Switch	Day, Night, Auto, Schedule, Alarm Trigger
Defog	Yes
Image Enhancement	BLC, HLC, Defog, Digital DNR
Privacy Mask	8 programmable polygon privacy masks, mask color or mosaic configurable
Picture Overlay	Logo picture can be overlaid on video in 128 × 128 24-bit bmp format


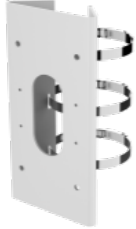
Specifications (continued)

iDS-2CD7A4660-IZHSY 8-32 mm	
Interface	
Ethernet Interface	1 RJ-45 10 M/100 M/1000 M self-adaptive Ethernet port
Audio	1 input (line in), 1 output (line out), 3.5 mm connector
Alarm	2 input, 2 outputs (maximum 24 VDC, 1 A)
Reset Key	Yes
Power Output	12 VDC, maximum 100 mA
Heater	Yes
RS-485	1 RS-485 (half duplex, HIKVISION, Pelco-P, Pelco-D, self-adaptive)
Video Output	1 Vp-p Composite Output (75Ω/CVBS) (Only for debugging)
On-Board Storage	Built-in memory card slot, supports microSD/SDHC/SDXC slot, up to 256 GB
Events	
Basic Event	Motion detection, video tampering alarm, exception (network disconnected, IP address conflict, illegal login, abnormal reboot, HDD full, HDD error), video quality diagnosis, vibration detection
Smart Event	Line crossing detection, intrusion detection, region entrance detection, region exiting detection, audio exception detection, scene change detection, defocus detection
Deep Learning Functions	
Face Capture	Detects up to 40 faces simultaneously Supports swing left and right from -60° to 60°, tilt up and down from -30° to 30° Uploads face with background and close-up face pictures
Multi-Target-Type Detection	Supports simultaneous detection and capture of human body, face, and vehicle; captures 7 face features, 13 human body features, and 2 vehicle features
Face Comparison	Supports face library encryption
Perimeter Protection	Line crossing, intrusion, region entrance, region exiting; supports alarm triggering by specified target types (human and vehicle)
General	
Camera Dimension	Ø140 mm × 351 mm (Ø5.5" × 13.8")
Package Dimension	405 mm × 190 mm × 180 mm (15.9" × 7.5" × 7.1")
Storage Conditions	-30° to 60° C (-22° to 140° F), humidity 95% or less (non-condensing)
Startup and Operating Conditions	-40° to 60° C (-40° to 140° F), humidity 95% or less (non-condensing)
Power Consumption and Current	12 VDC ±20%, three-core terminal block, 1.19 A, maximum 14.28 W PoE: 802.3at, Type 2, Class 4, 42.5 V to 57 V, 0.396 A to 0.295A, maximum 16.8 W
General Function	Heartbeat, mirror, password protection, watermark, privacy mask, IP address filter, one-key reset, five streams
Language	33 languages: English, Russian, Estonian, Bulgarian, Hungarian, Greek, German, Italian, Czech, Slovak, French, Polish, Dutch, Portuguese, Spanish, Romanian, Danish, Swedish, Norwegian, Finnish, Croatian, Slovenian, Serbian, Turkish, Korean, Traditional Chinese, Thai, Vietnamese, Japanese, Latvian, Lithuanian, Portuguese (Brazil), Ukrainian
Camera Weight	Approximately 1950 g (4.2 lb)
With Package Weight	Approximately 3070 g (6.7 lb)
Approvals	
Electrical Safety Protection	IK10 (IEC 62262:2002), IP67 (IEC 60529-2013)
Anti-Corrosion Protection	NEMA 4X (NEMA 250-2018)
Automotive and Railway	EN50121-4
Other	PVC FREE
Safety	UL (UL 62368-1); CB (IEC 62368-1:2014+A11); CE-LVD (EN 62368-1:2014/A11:2017); BIS (IS 13252(Part 1):2010/ IEC 60950-1 : 2005); LOA (IEC/EN 60950-1)
Environment	CE-RoHS (2011/65/EU); WEEE (2012/19/EU); Reach (Regulation (EC) No 1907/2006)
EMC	FCC (47 CFR Part 15, Subpart B); CE-EMC (EN 55032: 2015, EN 61000-3-2:2019, EN 61000-3-3:2013+A1:2019, EN 50130-4: 2011 +A1: 2014); RCM (AS/NZS CISPR 32: 2015); IC (ICES-003: Issue 7); KC (KN 32: 2015, KN 35: 2015)

Dimensions



Accessories

NOT INCLUDED	
	
DS-1476ZJ-Y Corner Mount	DS-1475ZJ-Y Vertical Pole Mount