

## iDS-2CD7AC5G0-IZHS(8)(Y) 12 MP IR Varifocal Bullet Network Camera



### DeepinView<sup>series</sup>

- High Quality Imaging with 12 MP Resolution
- DWDR for Clear Imaging Against Strong Backlight
- H.265+ Compression Saves Bandwidth/Storage
- Advanced Streaming Technology for Smooth Live View and Data Self-Correcting in Poor Network
- 5 Streams and up to 5 Custom Streams
- Water/Dust Resistant (IP67), Vandalproof (IK10)

Hikvision's iDS-2CD7A46G0-IZHS(Y) cameras' embedded deep learning algorithms integrate multiple intelligences. The technologies count people and sample face features simultaneously and identify people passing repeatedly over a period of time. It also activates a face alarm for entrance control and people counting.

#### Hard Hat Detection

With embedded deep learning algorithms, the camera detects persons in a specified region. It detects if the person is wearing a hard hat and captures the person's head and reports an alarm if not.

#### Multi-Target-Type Detection

With embedded deep learning algorithms, the cameras detect and capture faces and human bodies in specific regions and output features such as gender, age, and top color. They support a structured model of the face and human body for

structured data collection.

#### Queue Management

The embedded deep learning based algorithms also detect the number of queued people and the waiting time of each person. A body feature detection algorithm helps filter out wrong targets and increases detection accuracy.

#### Metadata

Metadata uses individual instances of application data or data content. Metadata can be used for third-party application development.

#### Smooth Streaming

Smooth streaming improves video quality in different network conditions. For example, in poor network conditions, adapting to the detected real-time network condition, streaming bit rate and resolution are automatically adjusted to avoid mosaic and lower latency in live view; in multiplayer networks, the cameras transmit redundant data for self-error correcting in the back-end device to solve mosaic problems because of packet loss and error rate.

#### Anti-Corrosion Coating (-Y)

The camera incorporates high weatherproof and wearproof molding powder that conforms to AAMA2604-02 and Qualicoat (Class 2) specifications and uses two-layer special spraying technology, so its surface has excellent long-term anti-corrosion performance and physical protection function. Besides, all the exposed screws use SUS316 material and feature high anti-corrosion performance.

Therefore, the whole camera meets anti-corrosion requirements NEMA 250-2018.



## Available Models

iDS-2CD7AC5G0-IZHS: 2.8 mm–12 mm lens

iDS-2CD7AC5G0-IZHSY: 2.8 mm–12 mm lens, RS-485, anti-corrosion

iDS-2CD7AC5G0-IZHS8: 8 mm–32 mm lens

## Specifications

	iDS-2CD7AC5G0-IZHS	iDS-2CD7AC5G0-IZHSY	iDS-2CD7AC5G0-IZHS8
<b>Camera</b>			
	Image Sensor	1/1.7" progressive scan CMOS	
Minimum Illumination (AGC on)	Color @ <i>f</i> /1.2	0.009 lux	---
	B/W @ <i>f</i> /1.2	0.0009 lux	---
	Color @ <i>f</i> /2.5	0.039 lux	---
	B/W @ <i>f</i> /2.5	0.0039 lux	---
	Color @ <i>f</i> /1.7	---	0.0181 lux
	B/W @ <i>f</i> /1.7	---	0.00181 lux
	Color @ <i>f</i> /1.73	---	0.0187 lux
	B/W @ <i>f</i> /1.73	---	0.00187 lux
	Shutter Speed	1 s to 1/100,000 s	
	Slow Shutter	Yes	
	P/N	P/N	
	Wide Dynamic Range	Digital	
	Day/Night	IR cut filter	
	Power-Off Memory	Yes	
	Flash Memory	8 GB	
	RAM	2 GB	
<b>Lens</b>			
	Focus	Auto, semi-auto, manual	
	Lens	2.8 mm to 12 mm	8 mm to 32 mm
FOV	Horizontal	6.2° to 36.4°	40.2° to 14.4°
	Vertical	69.3° to 27.2°	29.6° to 10.8°
	Diagonal	129.4° to 45.5°	51.47° to 17.8°
	Aperture	<i>f</i> /1.2 to <i>f</i> /2.5	<i>f</i> /1.7 to <i>f</i> /1.73
	Lens Mount	Integrated	
	Blue Glass Module	Blue glass module to reduce ghost phenomenon	
	P-Iris	Yes	
<b>Illuminator</b>			
	IR Range	164 ft (50 m)	330 ft (100 m)
	Wavelength	850 nm	
	Smart Supplement Light	Yes	
<b>Video</b>			
	Maximum Resolution	4000 × 3000	
Main Stream	50 Hz: 25 fps	[4096 × 2160, 3840 × 2160, 3072 × 1728, 2560 × 1440, 1920 × 1080, 1280 × 720]	
	60 Hz: 30 fps	[4096 × 2160, 3840 × 2160, 3072 × 1728, 2560 × 1440, 1920 × 1080, 1280 × 720]	
Sub-Stream	50 Hz: 20 fps	[4000 × 3000]	
	60 Hz: 20 fps	[4000 × 3000]	
Third Stream	50 Hz: 25 fps	[704 × 576, 640 × 480]	
	60 Hz: 30 fps	[704 × 480, 640 × 480]	
Fourth Stream	50 Hz: 25 fps	[1920 × 1080, 1280 × 720, 704 × 576, 640 × 480]	
	60 Hz: 30 fps	[1920 × 1080, 1280 × 720, 704 × 480, 640 × 480]	
Fifth Stream	50 Hz: 25 fps	[704 × 576, 640 × 480]	
	60 Hz: 30 fps	[704 × 480, 640 × 480]	
Custom Stream	50 Hz: 25 fps	[1920 × 1080, 1280 × 720, 704 × 576, 640 × 480]	
	60 Hz: 30 fps	[1920 × 1080, 1280 × 720, 704 × 480, 640 × 480]	
	Video Compression	Main stream: H.265+/H.265/H.264+/H.264; sub-stream/third stream/fourth stream/fifth stream/custom stream: H.265/H.264/MJPEG	
	Video Bit Rate	32 Kbps to 16 Mbps	
	H.264 Type	Baseline Profile/Main Profile/High Profile	
	H.265 Type	Main Profile	
	H.264+	Main Stream supports	
	H.265+	Main Stream supports	
	Bit Rate Control	CBR/VBR	
	Stream Type	Main stream/sub-stream/third stream/fourth stream/fifth stream/custom stream	
	Scalable Video Coding (SVC)	H.265 and H.264 support	
	Region of Interest (ROI)	4 fixed regions for each stream	

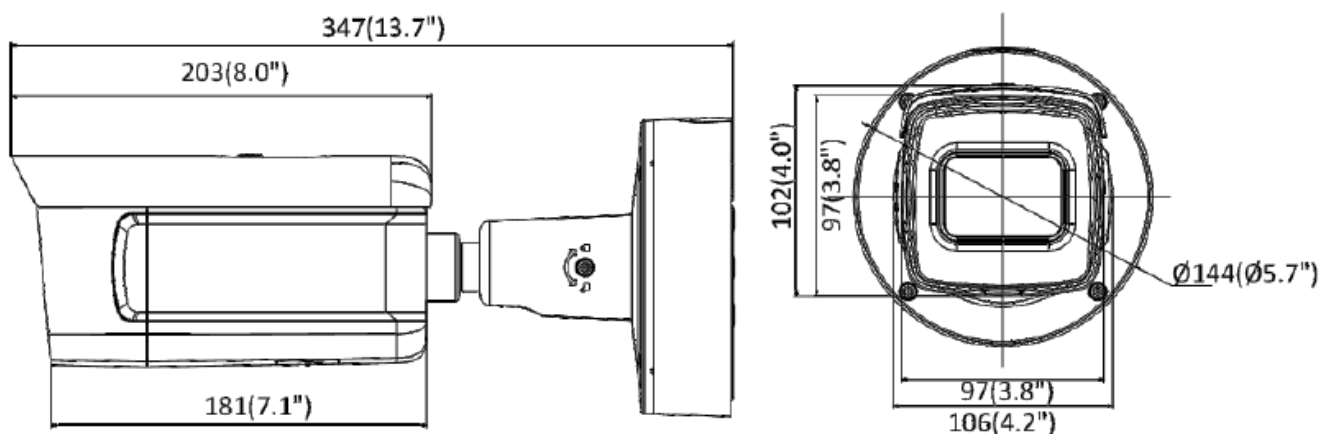
## Specifications (continued)

	iDS-2CD7AC560-IZHS	iDS-2CD7AC560-IZHSY	iDS-2CD7AC560-IZHS8
<b>Audio</b>			
Environment Noise Filtering	Yes		
Audio Sampling Rate	8 kHz/16 kHz/32 kHz/44.1 kHz/48 kHz		
Audio Compression	G.711/G.722.1/G.726/MP2L2/PCM/MP3		
Audio Bit Rate	64 Kbps (G.711)/16 Kbps (G.722.1)/16 Kbps (G.726)/32–192 Kbps (MP2L2)/32 Kbps (PCM)/8–320 Kbps (MP3)		
Audio Type	Mono sound		
<b>Network</b>			
Simultaneous Live View	Up to 20 channels		
API	ONVIF (PROFILE S, PROFILE G, PROFILE T), ISAPI, SDK, ISUP		
Protocols	TCP/IP, ICMP, HTTP, HTTPS, FTP, SFTP, SRTP, DHCP, DNS, DDNS, RTP, RTSP, RTCP, PPPoE, NTP, UPnP, SMTP, SNMP, IGMP, 802.1x, QoS, IPv6, UDP, Bonjour, SSL/TLS		
Smooth Streaming	Yes		
User/Host	Up to 32 users. 3 user levels: administrator, operator, and user		
Security	Password protection, complicated password, HTTPS encryption, 802.1x authentication (EAP-TLS, EAP-LEAP, EAP-MD5), watermark, IP address filter, basic and digest authentication for HTTP/HTTPS, WSSE and digest authentication for ONVIF, RTP/RTSP OVER HTTPS, Control Timeout Settings, Security Audit Log, TLS 1.2		
Network Storage	MicroSD/SDHC/SDXC card (256 GB) local storage, and NAS (NFS, SMB/CIFS), auto network replenishment (ANR); with high-end Hikvision memory card, memory card encryption and health detection support		
Client	iVMS-4200, Hik-Connect, HikCentral		
Web Browser	Plug-in required live view: IE8+ Plug-in free live view: Chrome 57.0+, Firefox 52.0+, Safari 11+ Local service: Chrome 41.0+, Firefox 30.0+		
<b>Image</b>			
Smart IR	IR LEDs support Smart IR function to automatically adjust power to avoid image overexposure		
Day/Night Switch	Day, Night, Auto, Schedule, Triggered by Alarm In		
Target Cropping	Yes		
Picture Overlay	Logo picture can be overlaid on video with 128 × 128 24-bit bmp format		
Image Enhancement	BLC, HLC, 3D DNR, Defog, EIS, Distortion Correction		
Image Parameters Switch	Yes		
Image Settings	Rotate mode, saturation, brightness, contrast, sharpness, gain, white balance adjustable by client software or Web browser		
SNR	≥52 dB		
<b>Interface</b>			
Alarm	2 input, 2 outputs (maximum 24 VDC, 1 A)		
Audio	1 input (line in), 3.5 mm connector, maximum input amplitude: 3.3 vpp, input impedance: 4.7K Ω, interface type: non-equilibrium; 1 output (line out), 3.5 mm connector, maximum output amplitude: 3.3 vpp, output impedance: 100 Ω, interface type: non-equilibrium, mono sound		
Video Output	1 Vp-p Composite Output (75 Ω/CVBS) (for debugging only)		
On-Board Storage	Built-in microSD/SDHC/SDXC slot, up to 256 GB		
Hardware Reset	Yes		
Communication Interface	1 RJ-45 10 M/100 M/1000 M self-adaptive Ethernet port		
Power Output	---	12 VDC, maximum 200 mA (supported by all power supply types)	---
Heater	Yes		
RS-485	---	1 RS-485 (half duplex, HIKVISION, Pelco-P, Pelco-D, self-adaptive)	---
<b>Smart Features</b>			
Basic Event	Motion detection, video tampering alarm, vibration detection, exception (network disconnected, IP address conflict, illegal login, HDD full, HDD error)		
Smart Event	Line crossing detection, up to 4 lines configurable Intrusion detection, up to 4 regions configurable region entrance detection, up to 4 regions configurable region exiting detection, up to 4 regions configurable, unattended baggage detection, up to 4 regions configurable object removal detection, up to 4 regions configurable, scene change detection, audio exception detection, defocus detection		
Counting	Yes		
<b>Intelligent (Deep Learning Algorithm)</b>			
Multi-Target-Type Detection	Simultaneous detection of human body and face Detects 8 face features and 13 human body features		
Attribute-Based People Counting	Enter/exit counting (30 targets at a time); identifies people passing repeatedly over period of time		
Hard Hat Detection	Detects up to 30 human targets simultaneously, supports up to 4 shield regions		
Queue Management	Detects queued people number and waiting time of each person; generates reports to compare efficiency of different queues, displays changing status of one queue; raw data export		
Premier Protection	Line crossing, intrusion, region entrance, region exiting; alarm trigger by target type (human/vehicle) Filters out mistaken alarm caused by target types such as leaf, light, animal, flag, etc.		

## Specifications (continued)





	IDS-2CD7AC560-IZHS	IDS-2CD7AC560-IZHSY	IDS-2CD7AC560-IZHS8
<b>General</b>			
Linkage Method	Upload to FTP/NAS/memory card, notify surveillance center, send e-mail, trigger alarm output, trigger recording, trigger capture; Trigger recording: memory card, network storage, pre-record and post-record; Trigger captured pictures uploading: FTP, SFTP, HTTP, NAS, e-mail; Trigger notification: HTTP, ISAPI, alarm output, e-mail		
Online Upgrade	Yes		
Dual Backup	Yes		
Web Client Language	33 languages: English, Russian, Estonian, Bulgarian, Hungarian, Greek, German, Italian, Czech, Slovak, French, Polish, Dutch, Portuguese, Spanish, Romanian, Danish, Swedish, Norwegian, Finnish, Croatian, Slovenian, Serbian, Turkish, Korean, Traditional Chinese, Thai, Vietnamese, Japanese, Latvian, Lithuanian, Portuguese (Brazil), Ukrainian		
General Function	Anti-flicker, 5 streams and up to 5 custom streams, EPTZ, heartbeat, mirror, privacy masks, flash log, password reset via e-mail, pixel counter		
Software Reset	Yes		
Storage Conditions	-40° to 60° C (-40° to 140° F). Humidity 95% or less (non-condensing)		
Startup and Operating Conditions	-40° to 60° C (-40° to 140° F). Humidity 95% or less (non-condensing)		
Power Supply	12 VDC ±20%, three-core terminal block, reverse polarity protection; PoE: 802.3at, Type 2 Class 4		
Power Consumption and Current	12 VDC, 1.33 A, maximum 16.0 W PoE: {802.3at, 42.5 V-57 V}, 0.43 A to 0.31 A, maximum 18.0 W		
Power Interface	Three-core terminal block		
Camera Material	Aluminum alloy body		
Camera Dimensions	Ø144 mm × 347 mm (Ø5.7" × 13.7")   Ø140 mm × 351 mm (Ø5.5" × 13.8")   Ø144 mm × 347 mm (Ø5.7" × 13.7")		
Package Dimension	405 mm × 190 mm × 180 mm (15.9" × 7.5" × 7.1")		
Camera Weight	1920 g (4.2 lb)		
With Package Weight	3060 g (6.7 lb)		
<b>Metadata</b>			
Metadata	Metadata of intrusion detection, line crossing detection, region entrance detection, region exiting detection, unattended baggage detection, object removal, face capture, and queue management		
<b>Approvals</b>			
Class	Class B		
EMC	FCC (47 CFR Part 15, Subpart B); CE-EMC (EN 55032: 2015, EN 61000-3-2: 2014, EN 61000-3-3: 2013, EN 50130-4: 2011 +A1: 2014); RCM (AS/NZS CISPR 32: 2015); IC (ICES-003: Issue 6, 2016); KC (KN 32: 2015, KN 35: 2015)		
Safety	UL (UL 60950-1); CB (IEC 60950-1: 2005 + Am 1:2009 + Am 2: 2013); CE-LVD (EN 60950-1: 2005 + Am 1: 2009 + Am 2:2013); BIS (IS 13252(Part 1): 2010+A1: 2013+A2: 2015); LOA (IEC/EN 60950-1)		
Environment Protection	CE-RoHS (2011/65/EU); WEEE (2012/19/EU); Reach (Regulation (EC) No 1907/2006)		
Anti-Corrosion Protection	---	NEMA 4X (NEMA 250-2018)	---
Other	---	PVC FREE	---

## Dimensions



Unit: mm(inch)

# Accessories

NOT INCLUDED			
For iDS-2CD7AC5G0-IZHS8 and iDS-2CD7AC5G0-IZHS		For iDS-2CD7AC5G0-IZHSY	
			
<b>CM1</b> Corner Mount	<b>PM1</b> Vertical Pole Mount	<b>DS-1476ZJ-Y</b> Corner Mount	<b>DS-1475ZJ-Y</b> Vertical Pole Mount