

DS-2DF6A836X-AEL(T5)

8 MP 36x Outdoor Network Speed Dome Camera

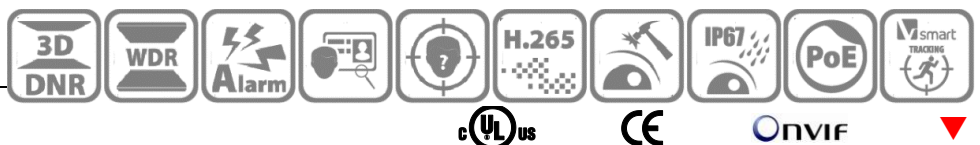


Hikvision's DS-2DF6A836X-AEL(T5) 8 MP 36x Network Speed Dome adopts a 1/1.8" progressive scan CMOS chip. With the 36x optical zoom lens, the camera offers more details over expansive areas. This series of cameras can be widely used for wide ranges of high-definition such as rivers, forests, roads, railways, airports, ports, squares, parks, scenic spots, stations, large venues, etc.

Available Model:

DS-2DF6A836X-AEL(T5)

- 1/1.8" Progressive Scan CMOS
- Up to 3840 x 2160 resolution
- Minimum Illumination: Color: 0.005 Lux @ (f/1.2, AGC on), B/W: 0.0005 Lux @ (f/1.2, AGC on)
- 36x Optical Zoom, 16x Digital Zoom
- 140 dB WDR, 3D DNR, EIS, HLC
- 24 VAC and Hi-PoE
- H.265+/H.265 video compression
- Rapid Focus
- IK10, IP67
- Detects up to 30 faces at a time
- Detects, tracks, captures, grades, selects Face in Motion, and Outputs Best Face Picture
- Vehicle Detection (License Plate Number, Model, Color)
- Person Arming: Real-Time Modeling and Comparison, Arms/Tracks Predefined Persons, Uploads Target Longitude/Latitude
- Vehicle Arming: Vehicle Detection, License Plate Recognition, Arms/Tracks Predefined Vehicles, Uploads Longitude/Latitude



Specifications

DS-2DF6A836XS-AEL(T2)	
Camera Module	
Image Sensor	1/1.8" progressive scan CMOS
Minimum Illumination	Color: 0.005 lux @ (f/1.2, AGC on), B/W: 0.0005 lux @ (f/1.2, AGC on)
Shutter Speed	1/1 s to 1/30,000 s
Slow Shutter	Yes
Focus	Semi-auto, manual, auto
Day/Night	ICR
BLC	Yes
WDR	140 dB WDR
HLC	Yes
3D DNR	Yes
EIS	Yes, built-in gyroscope improves EIS performance
Regional Exposure	Yes
Regional Focus	Yes
Image Settings	Saturation, brightness, contrast, sharpness
Image Parameters Switch	Yes
White Balance	Auto, ATW, sodium lamp, fluorescent lamp, indoor, outdoor, MWB
Digital Zoom	16x
Optical Zoom	36x
Privacy Mask	Up to 24 masks, mosaic mask, mask color configurable, rectangle region
SNR	≥55 dB
General Function	Mirror, password protection, video tampering alarm, watermark, IP address filter
Optical Defog	Yes
Lens	
Focal Length	6.0 mm to 216 mm, 36x optical
Zoom Speed	Approximately 4.6 s
FOV	Horizontal field of view: 56.6° to 1.7° (wide-tele), Vertical field of view: 33.7° to 0.9° (wide-tele), Diagonal field of view: 63.4° to 1.9° (wide-tele)
Aperture	f/1.2
PTZ	
Movement Range (Pan)	360°
Movement Range (Tilt)	-20° to 90° (auto flip)
Pan Speed	Pan speed: configurable from 0.1° to 300°/s; preset speed: 540°/s
Tilt Speed	Tilt speed: configurable from 0.1° to 240°/s, preset speed 400°/s
Proportional Zoom	Yes
Presets	300
Patrol Scan	8 patrols, up to 32 presets for each patrol
Pattern Scan	4 pattern scans, record time over 10 minutes for each scan
Power-off Memory	Yes
Park Action	Preset, pattern scan, patrol scan, auto scan, tilt scan, random scan, frame scan, panorama scan
3D Positioning	Yes
PTZ Status Display	Yes
Preset Freezing	Yes
Scheduled Task	Preset, pattern scan, patrol scan, auto scan, tilt scan, random scan, frame scan, panorama scan, dome reboot, dome adjust, aux output
Video	
Maximum Resolution	3840 × 2160
Main Stream	50 Hz: 25 fps (3840 × 2160, 2560 × 1440, 1920 × 1080, 1280 × 960, 1280 × 720) 60 Hz: 30 fps (3840 × 2160, 2560 × 1440, 1920 × 1080, 1280 × 960, 1280 × 720)
Sub-Stream	50 Hz: 25 fps (704 × 576, 640 × 480, 352 × 288) 60 Hz: 30 fps (704 × 480, 640 × 480, 352 × 240)
Third Stream	50 Hz: 25 fps (1920 × 1080, 1280 × 960, 1280 × 720, 704 × 576, 640 × 480, 352 × 288), 60 Hz: 30 fps (1920 × 1080, 1280 × 960, 1280 × 720, 704 × 480, 640 × 480, 352 × 240)
Video Compression	H.265, H.264, MJPEG
H.264 Type	Baseline profile, main profile, high profile
H.265 Type	Main profile
H.264+	Yes
H.265+	Yes
SVC	Yes
ROI	Dynamic face tracking, fixed region, dynamic license plate tracking
Audio	
Audio Compression	G.711alaw, G.711ulaw, G.722.1, G.726, MP2L2, PCM
Audio Bit rate	64 Kbps (G.711)/16 Kbps (G.722.1)/16 Kbps (G.726)/32 Kbps to 192 Kbps (MP2L2)

Specifications (continued)

DS-2DF6A836XS-AEL(T2)	
Smart Features	
Face Capture	Detects up to 30 faces at same time, detects, tracks, captures, grades, selects face in motion, and outputs best face picture
Face Comparison	Yes
Road Traffic	Vehicle detection (license plate number, vehicle model, vehicle color recognition)
Basic Event	Motion detection, video tampering alarm, alarm input, alarm output, exception
Smart Event	Intrusion detection, line crossing detection, region entrance detection, region exiting detection, unattended baggage detection, object removal detection, vandal-proof alarm, audio exception detection
Smart Tracking	Manual tracking, event tracking, auto-tracking
Smart Record	ANR, dual-VCA
Alarm Linkage	Preset, patrol scan, pattern scan, memory card video recording, alarm output, sending e-mail, notify surveillance center, upload to FTP
Smart Encoding	H.265+, H.264+, low bit rate, ROI
Network	
Network Storage	NAS (NFS, SMB/CIFS)
Protocols	IPv4/IPv6, HTTP, HTTPS, 802.1x, QoS, FTP, SMTP, UPnP, SNMP, DNS, DDNS, NTP, RTSP, RTCP, RTP, TCP/IP, UDP, IGMP, ICMP, DHCP, PPPoE, Bonjour
API	Open-ended API, ONVIF (Profile S, Profile G), ISAPI, Hikvision SDK, third-party management platform, ISUP
Simultaneous Live View	20
User/Host	32
Smooth Streaming	Yes
Security Measures	Authenticated username and password, MAC address binding, HTTPS encryption, 802.1x authenticated access, IP address filter
Client	iVMS-4200, iVMS-4500, iVMS-5200, Hik-Connect
Web Browser	IE 10+, Chrome 57+, Firefox 52+, Safari 12+
Interface	
Communication Interface	RJ45, Self-adaptive 10M/100M Ethernet port
On-Board Storage	Built-in memory card slot, microSD/SDHC/SDXC, up to 256 GB; NAS (NFS, SMB/CIFS), ANR
Alarm Input	7 alarm inputs
Alarm Output	2 alarm outputs
Audio Input	1 audio input
Audio Output	1 audio output, line level, impedance: 600 Ω
RS-485	HIKVISION, Pelco-P, Pelco-D, self-adaptive
General	
Power	24 VAC ±25% (maximum 45 W, including maximum 6 W for heater), Hi-PoE (maximum 50 W, including maximum 6 W for heater)
Operating Conditions	Temperature: -40° to 70° C (-40° to 158° F), humidity: ≤95% (non-condensing)
Dimensions	Ø231.1 mm × 355.6 mm (Ø9.10" × 14")
Weight	Approximately 6 kg (13.23 lb)
Approvals	
Protection	Lightning protection, surge protection, and voltage transient protection, ±6 kV line to gnd, ±3 kV line to line, IEC61000-4-5, IP67 standard, IK10

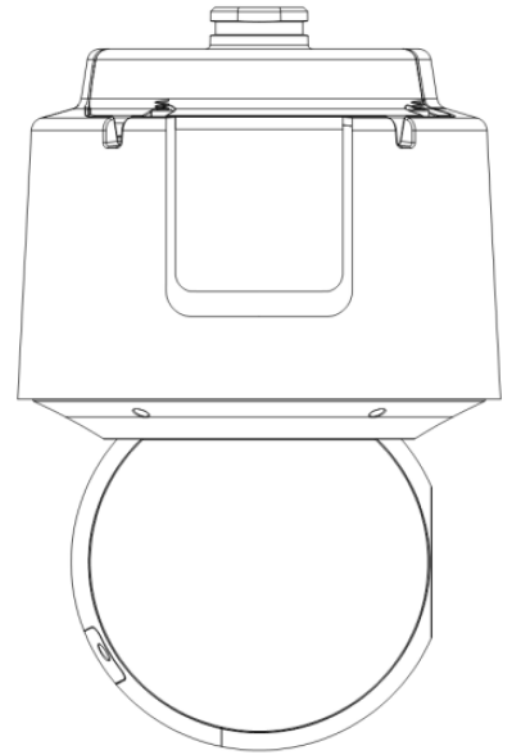
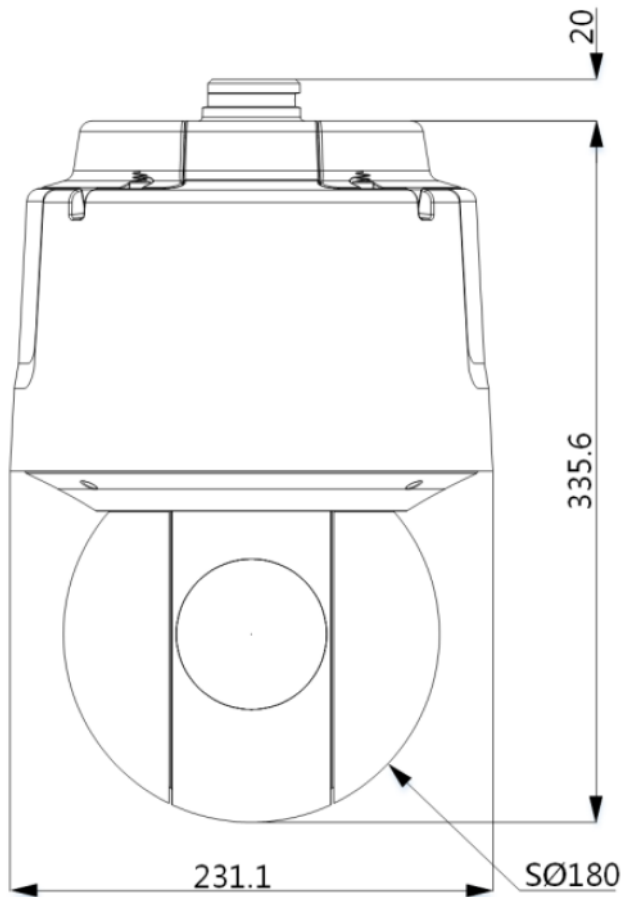
DORI

The DORI (detect, observe, recognize, identify) distance gives the general idea of the camera ability to distinguish persons or objects within its field of view.

It is calculated based on the camera sensor specification and the criteria given by EN 62676-4: 2015.

DORI	Detect	Observe	Recognize	Identify
Definition	25 px/m	63 px/m	125 px/m	250 px/m
Distance (Tele)	4300 m (14107.6 ft)	1706.3 m (5598.1 ft)	860.0 m (2821.5 ft)	430.0 m (1410.8 ft)

Dimensions



Unit:mm

Accessories

NOT INCLUDED						
JBPW-L-G Wall Mount	CPM-L-G Long Pendant Mount	CPMPE-G Pendant Mount Extension	CPM-S-G Short Pendant Mount	RPM-G Parapet Mount Extendable Pole	PMP-JB-G Vertical Pole Mount	CMP-JB-G Corner Mount



Box Contents (Subject To Change without Notice)

BNC Connector	Camera Top
Mounting Posts	PoE Injector
Power Cord	Power Filter
Power Pigtail with Screw Terminals	Quick Start Guide
Quick Release G1.5" Adapter	Teflon Tape
Washer (Steel)	Watertight Cable Connector
Watertight Tape	Wrench