

DS-2TD4136-xx/V2

Thermal and Optical Bi-Spectrum Network Speed Dome

DeepinView



- **Thermal Function**

- 384 x 288 Resolution
- High Sensitivity Vanadium Oxide Uncooled Focal Plane Arrays
- Contrast Adjustment
- Shutter Adjustment (Various Modes)
- 3D DNR, 15 Adjustable Color Palettes, Image Detail Enhancement

- **Smart Features**

- Adaptive AGC, DDE, 3D DNR, NETD <40 mk (@ 25° C, F#=1.0)
- Smart Tracking: Panorama, Event, and Multi-Scene Patrol
- Smart Tracking Linkage: Thermal and Optical Views
- Line Crossing, Intrusion, Region Entrance/Exit
- Temperature Exception Alarm
- Advanced Fire Detection

- **25 mm, 50 mm Lens Options**

The Hikvision DS-2TD4136-xx/V2 Thermal and Optical Bi-Spectrum Network Speed Dome is equipped with a built-in GPU for high precision VCA detection and real-time alarms. It is applied to perimeter defense and fire prevention purposes in critical infrastructures such as airports, railways, prisons, power stations, car dealers, etc. The pre-alarm system detects unexpected events immediately.

Available Models:

DS-2TD4136-25/V2 (25 mm lens)
DS-2TD4136-50/V2 (50 mm lens)



Specifications

	DS-2TD4136-25/V2	DS-2TD4136-50/V2
Thermal Module		
Image Sensor	Vanadium oxide uncooled focal plane arrays	
Maximum Resolution	384 × 288	
Detector Pitch	1.7 μm	
Response Waveband	8 μm to 14 μm	
NETD	<40 mk (@ 25° C, F# = 1.0)	
Lens (Focal Length)	25 mm	50 mm
MRAD	0.68 mrad	0.34 mrad
Field of View	15° × 11°	7.47° × 5.61°
Minimum Focusing Distance	13 m	50 m
f / Number	1.0	
Optical Camera		
Image Sensor	1/1.9" progressive scan CMOS	
Minimum Illumination	Color: 0.002 lux @ (f/1.5, AGC on); B/W: 0.0002 lux @ (f/1.5, AGC on)	
Focal Length	5.7 mm to 205.2 mm, 36x	
Digital Zoom	16x	
Field of View	58.7° to 2.0° (wide to tele)	
Minimum Working Distance	10 mm to 1500 mm (wide to tele)	
Aperture Range	f/1.5 to f/4.5	
Focus Mode	Auto/semiautomatic/manual	
WDR	120 dB	
Shutter Speed	NTSC: 1 to 1/30,000s	
White Balance	Auto/manual/ATW/indoor/outdoor/daylight lamp/sodium lamp	
Day/Night	IR cut filter	
Privacy Mask	24 privacy masks programmable; optional multiple colors	
Optical Defog	Yes	
Enhancement	3D DNR	
Smart Function		
VCA	Supports 4 VCA rule types (line crossing, intrusion, region entrance, and region exiting), 10 scenes, and 8 VCA rules for each scene	
Temperature Measurement	Supports 3 temperature measurement rule types, over 256 presets, and 21 rules (10 points, 10 regions, and 1 line) for each scene	Supports 3 temperature measurement rule types, over 273 presets, and 21 rules (10 points, 10 regions, and 1 line) for each scene
Temperature Range	-4° to 302° F (-20° to 150° C)	
Temperature Accuracy	±14.4° F (±8° C)	
Fire Detection	Supports 10 fire points	
PTZ		
Movement Range	Pan: 360° continuous rotate; tilt: from -20° to 90° (auto flip)	
Pan Speed	Configurable, from 0.1°/s to 160°/s, preset speed: 240°/s	
Tilt Speed	Configurable, from 0.1°/s to 120°/s, preset speed: 200°/s	
Proportional Zoom	Yes	
Presets	300	
Patrol Scan	8; up to 32 presets per patrol	
Pattern Scan	4; more than 10 minutes per pattern	
Power Off Memory	Yes	
Park	Preset/pattern scan/patrol scan/auto scan/tilt scan/random scan/frame scan/panorama scan	
PT Status	Turn on/turn off	
Scheduled Task	Preset/pattern scan/patrol scan/auto scan/tilt scan/random scan/frame scan/panorama scan/dome reboot/dome adjust/aux output	
Infrared		
IR Distance	Up to 655 ft (200 m)	
IR Intensity and Angle	Auto adjust	
Network		
Main Stream	Optical: 30 fps (1920 × 1080, 1280 × 960, 1280 × 720) Thermal: 50 fps (384 × 288)	
Sub-Stream	Optical: 30 fps (704 × 480, 352 × 240, 176 × 120) Thermal: 50 fps (384 × 288)	
Video Compression	H.265+/H.264+/H.265/H.264/MJPEG	
Audio Compression	G.711u/G.711a/G.722.1/MP2L2/G.726/PCM	
Protocols	IPv4/IPv6, HTTP, HTTPS, 802.1x, QoS, FTP, SMTP, UPnP, SNMP, DNS, DDNS, NTP, RTSP, RTCP, RTP, TCP, UDP, IGMP, ICMP, DHCP, PPPoE, Bonjour	
Simultaneous Live View	Up to 20-ch	
User/Host Level	Up to 32 users, 3 levels: administrator, operator, user	
Security Measures	User authentication (ID and PW), MAC address binding, HTTPS encryption, IEEE 802.1x access control, IP address filtering	
Integration		
Alarm Input	Up to 7-ch inputs (0 to 5 VDC)	
Alarm Output	Up to 2-ch relay outputs, supports alarm linkage	
Alarm Action	Preset/patrol scan/pattern scan/SD card record/relay output/smart capture/FTP upload/e-mail linkage	
Audio Input	Line in input/microphone input; peak: from 2 to 2.4 V(p-p); output impedance: 1k Ω ±10%	
Audio Output	Linear level; impedance: 600 Ω	
Communication Interface	Built-in RJ-45; 10M/100M Ethernet Interface	
Onboard Storage	Built-in microSD/SDHC/SDXC card slot, up to 128 GB; supports manual/alarm recording	
Analog Video Output	1.0V [p-p]/75 Ω, PAL/NTSC/BNC	
RS-485	Half-duplex; HIKVISION, PELCO-P and PELCO-D self-adaptive	
API	Open-ended API, supports ISAPI; supports HIKVISION SDK and third-party management platforms	
Client	iVMS-4200	
Web Browser	IE 7+, Chrome 18+, Firefox 5.0+, Safari 5.02+; multiple languages	
General		
Menu	English	
Wiper	Yes	
Power	24 VAC, 60 W	
Work Temperature/Humidity	From -40° to 140° F (-40° to 60° C); humidity: 90% or less (non-condensing)	
Protection Level	IP66 standard; TVS 6000V lightning protection, surge protection, and voltage transient protection	
Weight	17.64 lbs (8 kg)	

Range Performance¹

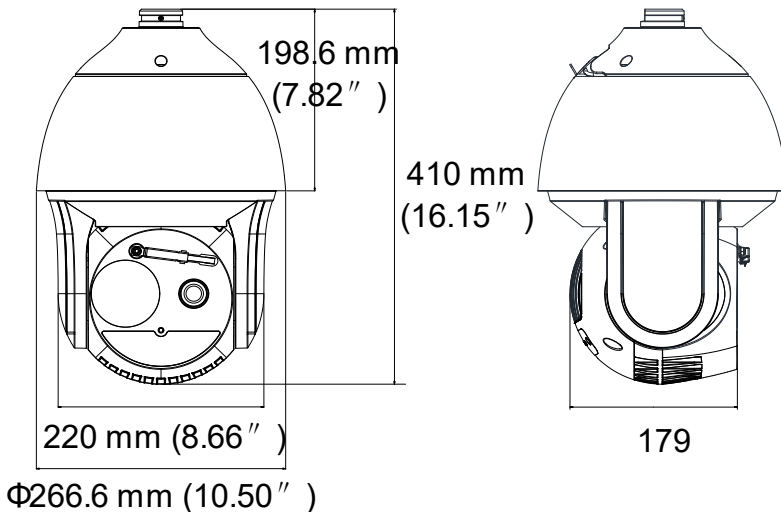
Standard Range Table	Model			
	DS-2TD4136-25/V2		DS-2TD4136-50/V2	
Johnson Criteria	Human	Vehicle	Human	Vehicle
Detection	2411 ft (735 m)	7398 ft (2255 m)	4826 ft (1471 m)	14797 ft (4510 m)
Recognition	184 ft (56.08 m)	1686 ft (564 m)	1207 ft (368 m)	3698 ft (1127 m)
Identification	302 ft (92 m)	925 ft (282 m)	604 ft (184 m)	1850 ft (564 m)

Smart Functions Range Table	Object	Model	
		DS-2TD4136-25/V2	DS-2TD4136-50/V2
Line Cross/Intrusion/Region Entrance-Exit	Human	820 ft (250 m)	1640 ft (500 m)
	Vehicle	2460 ft (750 m)	4921 ft (1500 m)
Optimized to Johnson Criteria (Recognition)	Human	820 ft (250 m)	1640 ft (500 m)
Temperature Exception	Size of Point	Max Range	Max Range
Accuracy at 5 x 5 pixels	2 m x 2 m	1919 ft (585 m)	3839 ft (1170 m)
	1 m x 1 m	968 ft (295 m)	1936 ft (590 m)
Advanced Fire Detection	Size of Point	Max Range	Max Range
Accuracy at 2 x 2 pixels	2 m x 2 m	4822 ft (1470 m)	9646 ft (2940 m)
	1 m x 1 m	2411 ft (735 m)	4822 ft (1470 m)

Accessories

WMP-L Wall Mount PTZ Long	CMP Corner Mount for WMP-S/L	PMP Pole Mount for WMP-S/L	JBPW-L Power Box Mount w/Wall Bracket	CMP-JB Corner Mount for JBPW-L	PMP-JB Pole Mount for JBPW-L	CPM-S Short Ceiling Pendant Mount	CPM-L Long Ceiling Pendant Mount	CPMPE Ceiling Pendant Mount Extension Pipe	PMP-V Horizontal Pole Mount for CPM-S/L	RPM Roof Parapet Mount

Dimensions



Units: mm

¹ Range performance values are calculated under ideal conditions and are not a guarantee of performance.