

## DS-2CD6365G0E-S/RC

### 6 MP Indoor Network Fisheye Camera



- 1/1.8" (6 MP) Progressive Scan CMOS
- 3072 x 2048 Resolution @ 30 fps
- 360° Viewing Angle
- Multiple Viewing Modes
- Multiple ePTZ Streams with Preset and Patrol
- Ceiling Mounting Mode
- Alarm and Audio Inputs and Outputs
- 12 VDC and PoE (802.3af), 12 W

The Hikvision DS-2CD6365G0E-S/RC Indoor Network Fisheye Camera provides high definition output. It supports H.265+ video compression, which assures savings in bandwidth and storage.

The camera is capable of providing a 360° panoramic image of the surveillance environment, and supports up to 14 live view display modes. With 2 decoding modes, it provides a wide range of panoramic display options.

The Fisheye camera is equipped with a 6 MP lens.

Behavior analysis and exception detection smart features are included.

**Available models:**  
DS-2CD6365G0E-S/RC



# Specifications

## DS-2CD6365G0E-S/RC

### Camera

Image Sensor	1/1.8" progressive scan CMOS
Minimum Illumination	Color: 0.01 lux @ (f/1.2, AGC on), B/W: 0.001 lux @ (f/1.2, AGC on)
Shutter Speed	1 to 1/100,000 s
Slow Shutter	Supported
Lens	1.27 mm, f/2.6; 360° (in-ceiling mount)
Lens Mount	M12
Digital Noise Reduction	3D DNR
WDR	Digital WDR

### Compression Standard

Video Compression	Main stream: H.265+/H.265/H.264+/H.264; sub stream: H.265/H.264/MJPEG
H.264 Type	Baseline profile/main profile/high profile
H.264+	Main stream supported
H.265 Type	Main profile
H.265+	Main stream supported
Video Bit Rate	32 Kbps to 16 Mbps
SVC	H.265 and H.264 supported

### Image

Maximum Resolution	3072 x 2048
Main Stream	30 fps (3072 x 2048, 2048 x 2048, 1280 x 1280)
Sub Stream	30 fps (720 x 720, 720 x 480)
Image Enhancement	BLC, HLC, defog, 3D DNR
Image Setting	Saturation, brightness, contrast, sharpness, AGC and white balance are adjustable by client software or web browser
Day/Night Switching	Day/night/auto/schedule/triggered by alarm in
Picture Overlay	Logo picture can be overlaid on video with 128 x 128 24-bit bmp format

### Live View Display

Mount Type	Ceiling mount
Decoding Mode	Hardware and software decoding
Display Mode	Total of 14 display modes supported: Software Decoding: Fisheye View, 180° Panorama View, 360° Panorama View, 360° Panorama + PTZ, 360° Panorama + 3 PTZ, 360° Panorama + 6 PTZ, 360° Panorama + 8 PTZ, 2 PTZ, 4 PTZ, Fisheye + 3 PTZ, Fisheye + 8 PTZ, Half Sphere, Cylinder Hardware Decoding: Fisheye View, 180° Panorama View, Panorama View, 4 PTZ, 4 PTZ Fusion, Fisheye + 3 PTZ

### Audio

Environment Noise Filtering	Supported
Audio Sampling Rate	8 kHz/16 kHz
Audio Compression	G.711/G.722.1/G.726/MP2L2/PCM
Audio Bit Rate	64 Kbps (G.711)/16 Kbps (G.722.1)/16 Kbps (G.726)/32 to 160 Kbps (MP2L2)

### Smart Features

Behavior Analysis	Line crossing detection, intrusion detection, region entrance detection, region exiting detection, unattended baggage detection, object removal detection
Exception Detection	Audio exception detection
Region of Interest	Four fixed regions for main stream and sub-stream

### Network

Network Storage	Supports MicroSD/SDHC/SDXC card (256 GB), local storage and NAS (NFS,SMB/CIFS), ANR
Alarm Trigger	Motion detection, video tampering alarm, network disconnected, IP address conflicted, illegal login, HDD full, HDD error
Protocols	TCP/IP, ICMP, HTTP, HTTPS, FTP, DHCP, DNS, DDNS, RTP, RTSP, RTCP, PPPoE, NTP, UPnP, SMTP, SNMP, IGMP, 802.1X, QoS, IPv6, UDP, Bonjour
Security Measures	Password protection, HTTPS encryption, IEEE 802.1x port-based network access control, IP address filter, basic and digest authentication for HTTP/HTTPS, WSSE and digest authentication for ONVIF
General Function	One-key reset, anti-flicker, heartbeat, mirror, password protection, privacy mask, watermark, IP address filter
Standard	ONVIF (PROFILE S, PROFILE G), ISAPI
Simultaneous Live View	Up to 20 channels
User/Host	Up to 32 users, 3 user levels, administrator, operator and user
Client	iVMS-4200, Hik-Connect
Web Browser	IE 8+, Chrome 31.0-44, Firefox 30.0-51, Safari 8.0+

### Interface

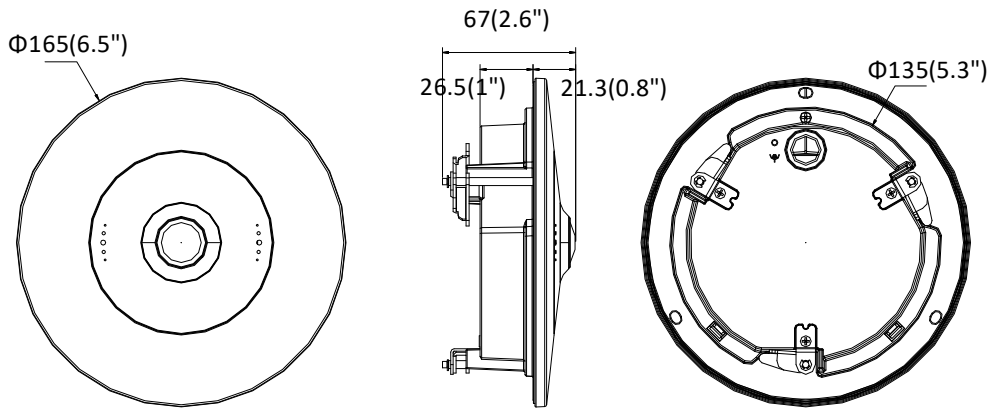
Communication Interface	One RJ45 10M/100M/1000M self-adaptive Ethernet port
Audio	One audio input (line in, 3.5 mm), one audio output (line out, 3.5 mm), two built-in microphones, mono sound
Alarm	1-ch alarm input, max. 12 V; 1-ch alarm output, max. 12 VDC, 0.5 A
On-Board Storage	Built-in microSD/SDHC/SDXC slot, up to 256 GB
Reset Button	Yes

### General

Operating Conditions	14° to 104° F [-10° to 40° C]; humidity 95% or less (non-condensing)
Power Supply	12 VDC ± 20%, PoE (802.3af, class 3), two-core terminal block
Power Consumption	12 VDC, 0.5 A, maximum 6 W, PoE (802.3af, 36 to 57 V), 0.3 A to 0.2 A, maximum 12 W
Material	Cover and trim ring: plastic, bottom base: metal
Dimensions	∅ 6.5" x 2.7" (165 mm x 69 mm)
Weight	1.1 lbs (0.48 kg)

# Dimensions

---



Unit: mm(inch)