

## DS-2TD2166T-15/25

### Accurate Temperature Thermal Network Bullet Camera



- 640 x 512 Resolution
- Vanadium Oxide Uncooled Focal Plane Arrays
- 15 mm, 25 mm Lens Options
- NETD <40 mk
- Adaptive AGC, 3D DNR
- Dynamic Detail Enhancement
- Smart Features:
  - Line Crossing, Intrusion, Region Entrance/Exit
  - Temperature Exception
  - Advanced Fire Detection
- Temperature Range: -4° F to 1,022° F (-20° C to 550° C)
- Temperature Accuracy: Maximum ( $\pm 2^\circ \text{C}$ ,  $\pm 2\%$ )
- 15 Psuedo Colors Adjustable
- Includes Conduit Base
- IP66 Protection
- POE+ (802.3at), 24 VAC/12 VDC, 8 W

The Hikvision DS-2TD2166T-15, and DS-2TD2166T-25 Thermometric Network Bullet Cameras use a vanadium oxide uncooled focal plane sensor to enhance thermal image quality.

The high sensitivity sensor has 640 x 512 resolution and features contrast adjustment for optimized images. AGC (Automatic Gain Control), 3D DNR (Dynamic Noise Reduction), and Dynamic Detail Enhancement further enhance image quality.

This series of cameras also features advanced fire detection and a wide range of Smart functions, including temperature exception, line crossing, intrusion, and region entrance and exit, benefitting users with great improvements in security efficiency and, more importantly, with key events and objects being recorded for further forensic needs.

The cameras can be outfitted with 15 mm or 25 mm lens to cover a variety of needs.

#### Available Models:

DS-2TD2166T-15 (15 mm lens)  
DS-2TD2166T-25 (25 mm lens)



# Specifications

DS-2TD2166T-15		DS-2TD2166T-25	
<b>Thermal Module</b>			
Image sensor	Vanadium oxide uncooled focal plane arrays		
Maximum Resolution	640 × 512		
Detector Pitch	1.7µm		
Response waveband	8µm to 14µm		
	NETD < 40mk (@ 25° C, F# = 1.0)		
Lens (focal length)	15 mm	25 mm	
	MRAD 1.13 mrad	0.68 mrad	
Field of View	39.87° × 32.36°	24.55° × 19.75°	
Minimum Focusing Distance	2.5 m	13 m	
	F number 1.0		
<b>Smart Function</b>			
VCA	Supports 4 VCA rule types (Line Crossing, Intrusion, Region Entrance, and Region Exiting), 8 VCA rules.		
Temperature Measurement	Supports 3 temperature measurement rule types, 21 rules (10 points, 10 regions, and 1 line)		
Temperature Range	-4° F to 1022° F (-20° C to 550° C)		
Temperature Accuracy	Max (± 2° C, ± 2%)		
Fire Detection	Supports 10 fire points		
<b>Network</b>			
Main Stream	50 fps (640×512, 384×288, 352×288)		
Sub-Stream	50 fps (640×512, 384×288, 352×288)		
Third Stream	50 fps (640×512, 384×288, 352×288)		
Video Compression	H.264 (Baseline/Main/High Profile) / MJPEG / H.265, H.264+, H.265+		
Audio Compression	G.711u / G.711a / G.722.1 / MP2L2 / G.726 / PCM		
Protocols	IPv4 / IPv6, HTTP, HTTPS, 802.1x, Qos, FTP, SMTP, UPnP, SNMP, DNS, DDNS, NTP, RTSP, RTCP, RTP, TCP, UDP, IGMP, ICMP, DHCP, PPPoE, Bonjour		
Simultaneous Live View	Up to 20-ch		
User/Host Level	Up to 32 users, 3 levels: administrator, operator, user		
Security Measures	User authentication (ID and PW), MAC address binding, HTTPS encryption, IEEE 802.1x access control, IP address filtering		
<b>Integration</b>			
Alarm Input	2-ch inputs (0 to 5 VDC)		
Alarm Output	2-ch relay outputs, supports alarm linkage		
Alarm Action	Preset / patrol scan / pattern scan / SD card record / relay output / smart capture / FTP upload / email linkage		
Audio Input	1-ch 3.5 mm microphone / line in interface. Line input: 2-2.4 V(p-p), output impedance: 1KΩ ±10%		
Audio Output	Linear level; impedance: 600 Ω		
Communication Interface	Built-in RJ45; 10M/100M Ethernet Interface		
Onboard Storage	Built-in microSD / SDHC / SDXC card slot, up to 64 GB; supports manual / alarm recording		
Ethernet	1 RJ45 10M/100M Self-adaptive Ethernet interface		
Analog Video Output	1.0V [p-p]/75 Ω, PAL / NTSC / BNC		
API	Open-ended API, supports ISAPI; supports HIKVISION SDK and third-party management platforms		
Client	iVMS-4200		
Web Browser	IE 7+, Chrome 18+, Firefox 5.0+, Safari 5.02+; Multiple Languages		
<b>General</b>			
Menu	English		
Power	PDE+ (802.3at), 24 VAC, 12 VDC / 3 A, 8 W (20 W with de-icing heater on)		
Work Temperature/Humidity	From -40° F to 149° F (-40° C to 65° C); Humidity: 90% or Less		
Protection Level	IP66 standard; TVS 6000V lightning protection, surge protection and voltage transient protection		
Dimensions	12.36" x 4.09" x 11.52" (314 mm x 104 mm x 292.7 mm)		
Weight	4.41 lbs (2 kg)		

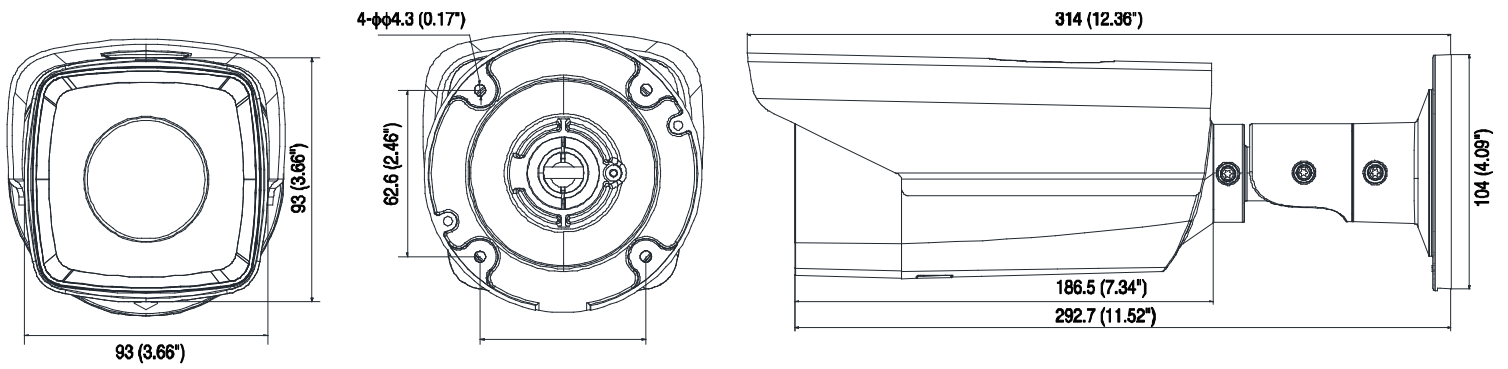
## Range Performance<sup>1</sup>

Standard Range Table	Model			
	DS-2TD2166T-15		DS-2TD2166T-25	
Johnson Criteria	Human	Vehicle	Human	Vehicle
Detection	1,447 ft (441 m)	4,439 ft (1,353 m)	2,411 ft (735 m)	7,398 ft (2,255 m)
Recognition	361 ft (110 m)	1,109 ft (338 m)	604 ft (184 m)	1,850 ft (564 m)
Identification	180 ft (55 m)	554 ft (169 m)	302 ft (92 m)	925 ft (282 m)

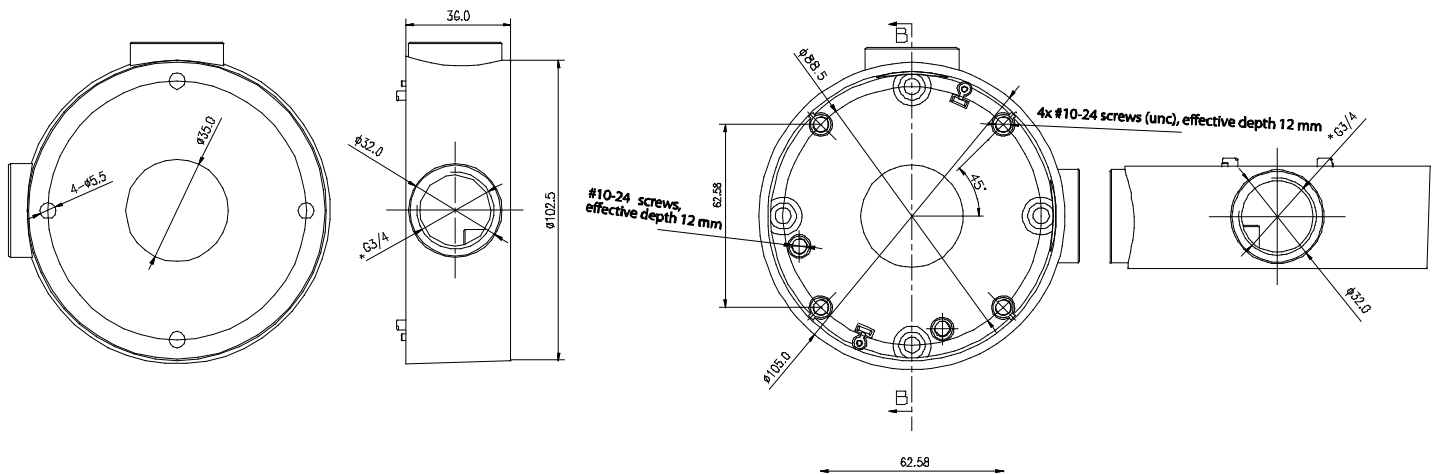
Smart Functions Range Table	Object	Model	
		DS-2TD2166-15	DS-2TD2166-25
Line Cross/Intrusion/Region Entrance-Exit	Human	361 ft (110 m)	604 ft (184 m)
Optimized to Johnson Criteria (Recognition)	Vehicle	1,109 ft (338 m)	1,850 ft (564 m)
Temperature Exception	Size of Point	Max Range	Max Range
Accuracy at 5 x 5 pixels	2 m x 2 m	1,152 ft (351 m)	1,919 ft (585 m)
	1 m x 1 m	581 ft (177 m)	968 ft (295 m)
Advanced Fire Detection	Size of Point	Max Range	Max Range
	2 m x 2 m	2,894 ft (882 m)	4,823 ft (1,470 m)
Accuracy at 2 x 2 pixels	1 m x 1 m	1,447 ft (441 m)	2,411 ft (735 m)

<sup>1</sup> Range performance values are calculated under ideal conditions and are not a guarantee of performance.

# Dimensions



## Camera



## Conduit Base (included)