

DS-2TD6236-xxx2L

Thermal and Optical Bi-Spectrum Network Positioning System



- **640 x 512 Thermal/1080p Optical Resolution**
- **Vanadium Oxide Uncooled Focal Plane Arrays**
- **50 mm and 75 mm Lens Options**
- **NETD <40 mk**
- **Adaptive AGC, 3D DNR**
- **Dynamic Detail Enhancement**
- **Smart Features:**
 - Line Crossing, Intrusion, Region Entrance/Exit
 - Temperature Exception
 - Advanced Fire Detection
 - Smart Tracking
- **Temperature Range: -4° to 302° F (-20° to 150° C)**
- **Temperature Accuracy: Maximum ($\pm 8^\circ\text{C}$, $\pm 2\%$)**
- **IP66 Protection**
- **24 VAC, 120 W**

The Hikvision 2TD6236-50H2L and 2TD6236-75C2L Thermal and Optical Bi-Spectrum Network Positioning System uses a vanadium oxide uncooled focal plane sensor to enhance thermal image quality.

The high sensitivity sensor has 640 x 512 thermal/1080p optical resolution and features contrast adjustment for optimized images. AGC (Automatic Gain Control), 3D DNR (Dynamic Noise Reduction), and Dynamic Detail Enhancement further enhance image quality. Additionally, a 1080p sensor provides a matched field of view for unparalleled detailed images.

This series of cameras also features advanced fire detection and a wide range of Smart functions, including temperature exception, line crossing, intrusion, and region entrance and exit, benefitting users with great improvements in security efficiency and, more importantly, with key events and objects being recorded for further forensic needs.

Camera options include 50 mm and 75 mm lenses to cover a variety of needs.

Available Models:

2TD6236-50H2L (50 mm lens)
2TD6236-75C2L (75 mm lens)



Specifications

2TD6236-50H2L		2TD6236-75C2L
Thermal Module		
Image Sensor	Vanadium oxide uncooled focal plane arrays	
Maximum Resolution	640 × 512	
Detector Pitch	1.7 μm	
Response Waveband	8 μm to 14 μm	
NETD	<40 mk (@ 25° C, F# = 1.0)	
Lens (Focal Length)	50 mm	75 mm
MRAD	0.34 mrad	0.23 mrad
Field of View	7.47° × 5.61°	4.98° × 3.74°
Minimum Focusing Distance	7.5 m	8 m
f/ Number	1.0	
Optical Camera		
Image Sensor	1/1.9" progressive scan CMOS	1/2.8" progressive scan CMOS
Minimum Illumination	Color: 0.002 lux @ (f/1.5, AGC on); b/w : 0.0002 lux @ (f/1.5, AGC on)	Color: 0.05 lux @ (f/1.8, AGC on); b/w : 0.01 lux @ (f/1.8, AGC on)
Focal Length	5.7 to 205.2 mm, 36x	6.7 to 330 mm, 49x
Digital Zoom	16x	
Field of View	58.7° to 2.0° (wide to tele)	41.3° to 1.2° (wide to tele)
Minimum Working Distance	10 to 1,500 mm (wide to tele)	
Aperture Range	f/1.5 to f/4.5	f/1.8 to f/6.1
Focus Mode	Auto/semiautomatic/manual	
WDR	120 dB	
Shutter Speed	PAL: 1 to 1/30,000s/NTSC: 1 to 1/30,000s	
White Balance	Auto/manual/ATW/indoor/outdoor/daylight lamp/sodium lamp	
Day/Night	IR cut filter	
Privacy Mask	24 privacy masks programmable; optional multiple colors and mosaics	
Optical Defog	Yes	
Enhancement	3D DNR	
Smart Function		
VCA	Supports 4 VCA rule types (line crossing, intrusion, region entrance, and region exiting), 10 scenes, and 8 VCA rules for each scene	
Temperature Measurement	Supports 3 temperature measurement rule types, over 256 presets, and 21 rules (10 points, 10 regions, and 1 line) for each scene	
Temperature Range	-4° to 302° F (-20° to 150° C)	
Temperature Accuracy	±8° C (14.4° F)	
Fire Detection	Supports 10 fire points	
PTZ		
Movement Range	Pan: 360° continuous rotate; tilt: from -90° to + 40° (auto flip)	
Pan Speed	Configurable, from 0.1°/s to 110°/s	
Tilt Speed	Configurable, from 0.1°/s to 50°/s	
Proportional Zoom	Yes	
Presets	300	
Patrol Scan	8, up to 32 presets per patrol	
Pattern Scan	4, more than 10 minutes per pattern	
Power Off Memory	Yes	
Park	Preset/pattern scan/patrol scan/auto scan/tilt scan/random scan/frame scan/panorama scan	
PT Status	Turn on/turn off	
Scheduled Task	Preset/pattern scan/patrol scan/auto scan/tilt scan/random scan/frame scan/panorama scan/dome reboot/dome adjust/aux output	
Infrared		
IR Distance	Up to 1640 ft (500 m)	
IR Intensity and Angle	Auto adjust	
Network		
Main Stream	Optical: 50 Hz: 25 fps (1920 × 1080), 25 fps (1280 × 960), 25 fps (1280 × 720); 60 Hz: 30 fps (1920 × 1080), 30 fps (1280 × 960), 30 fps (1280 × 720) Thermal: 50 fps (640 × 512)	
Sub-Stream	50 Hz: 25 fps (704 × 576), 25 fps (352 × 288), 25 fps (176 × 144); 60 Hz: 30 fps (704 × 480), 30 fps (352 × 240), 30 fps (176 × 120) Thermal: 50 fps (640 × 512)	
Video Compression	H.264 [Baseline/Main/High Profile]/MJPEG/MPEG4	
Audio Compression	G.711u/G.711a/G.722.1/MP2L2/G.726/PCM	
Protocols	IPv4 / IPv6, HTTP, HTTPS, 802.1x, QoS, FTP, SMTP, UPnP, SNMP, DNS, DDNS, NTP, RTSP, RTCP, RTP, TCP, UDP, IGMP, ICMP, DHCP, PPPoE, Bonjour	
Simultaneous Live View	Up to 20-ch	
User/Host Level	Up to 32 users, 3 levels: administrator, operator, user	
Security Measures	User authentication (ID and PW), MAC address binding, HTTPS encryption, IEEE 802.1x access control, IP address filtering	
Integration		
Alarm Input	Up to 7-ch inputs (0 to 5 VDC)	
Alarm Output	Up to 2-ch relay outputs, supports alarm linkage	
Alarm Action	Preset/patrol scan/pattern scan/SD card record/relay output/smart capture/FTP upload/e-mail linkage	
Audio Input	Line in input/microphone input; peak: from 2 to 2.4 V(p-p); output impedance: 1k Ω ±10%	
Audio Output	Linear level; impedance: 600 Ω	
Communication Interface	Built-in RJ45; 10M/100M Ethernet Interface	
Onboard Storage	Built-in microSD/SDHC/SDXC card slot, up to 64 GB, supports manual/alarm recording	
Analog Video Output	1.0V [p-p]/75 Ω, PAL/NTSC/BNC	
RS-485	Half-duplex; HIKVISION, PELCO-P, and PELCO-D self-adaptive	
API	Open-ended API, supports ISAPI; supports HIKVISION SDK and third-party management platforms	
Client	iVMS-4200	
Web Browser	IE 7+, Chrome 18+, Firefox 5.0+, Safari 5.02+; multiple languages	
General		
Menu	English	
Power	24 VAC, 120 W	
Work Temperature/Humidity	From -40° to 140° F (-40° to 65° C); humidity: 90% or less (non-condensing)	
Protection Level	IP66 standard; TVS 6000V lightning protection, surge protection, and voltage transient protection	
Dimensions	19.14" × 13.84" × 17.73" (486.1 mm × 351.6 mm × 450.3 mm)	
Weight	41.89 lbs (19 kg)	

Range Performance¹

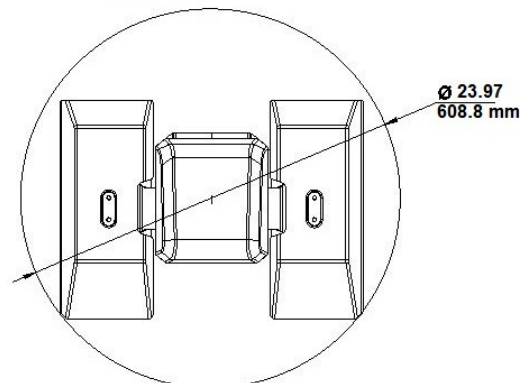
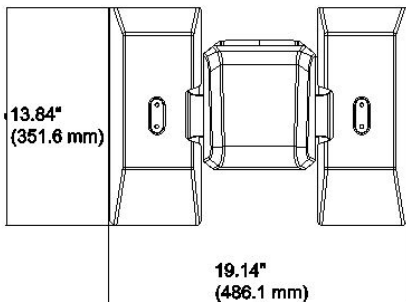
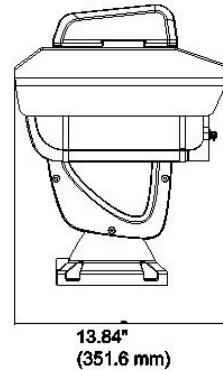
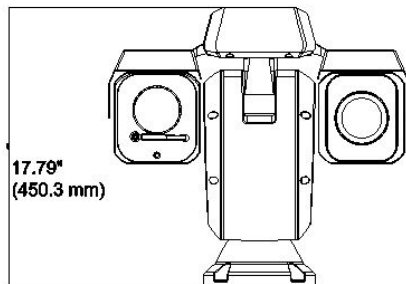
Standard Range Table	Model			
	2TD6236-50H2L		2TD6236-75C2L	
Johnson Criteria	Human	Vehicle	Human	Vehicle
Detection	4,826 ft (1,471 m)	14,797 ft (4,510 m)	7,238 ft (2,206 m)	22,195 ft (6,765 m)
Recognition	1,207 ft (368 m)	3,698 ft (1,127 m)	1,807 ft (551 m)	5,548 ft (1,691 m)
Identification	604 ft (184 m)	1,850 ft (564 m)	906 ft (276 m)	2,775 ft (846 m)

Smart Functions Range Table	Object	Model	
		2TD6236-50H2L	2TD6236-75C2L
Line Cross/Intrusion/ Region Entrance-Exit	Object		
Optimized to Johnson Criteria (Recognition)	Human	1,181 ft (360 m)	2,100 ft (540 m)
	Vehicle	3,376 ft (1,029 m)	5,065 ft (1,544 m)
Temperature Exception	Size of Point	Max Range	
Accuracy at 5 x 5 pixels	2 m x 2 m	3,838 ft (1,170 m)	5,823 ft (1,775 m)
	1 m x 1 m	1,936 ft (590 m)	2,903 ft (885 m)
Advanced Fire Detection	Size of Point	Maximum Range	Maximum Range
Accuracy at 2 x 2 pixels	2 m x 2 m	9,646 ft (2,940 m)	14,468 ft (4,410 m)
	1 m x 1 m	4,823 ft (1,470 m)	7,234 ft (2,205 m)

Accessories



Dimensions



¹ Range performance values are calculated under ideal conditions and are not a guarantee of performance.