

DS-2TD6266-xxxx2L

Thermal and Optical Bi-Spectrum Network Positioning System



- **640 x 512 Thermal/1080p Optical Resolution**
- **Vanadium Oxide Uncooled Focal Plane Arrays**
- **50 mm, 75 mm, and 100 mm Lens Options**
- **NETD <40 mk**
- **Adaptive AGC, 3D DNR**
- **Dynamic Detail Enhancement**
- **Smart Features:**
 - Line Crossing, Intrusion, Region Entrance/Exit
 - Temperature Exception
 - Advanced Fire Detection
 - Smart Tracking
- **Temperature Range: -4° to 302° F (-20° to 150° C)**
- **Temperature Accuracy: Maximum (±8° C, ±2%)**
- **IP66 Protection**
- **24 VAC, 120 W**

The Hikvision 2TD6266-50H2L, 2TD6266-75C2L, and 2TD6266-100C2L Thermal and Optical Bi-Spectrum Network Positioning System uses a vanadium oxide uncooled focal plane sensor to enhance thermal image quality.

The high sensitivity sensor has 640 x 512 thermal/1080p optical and features contrast adjustment for optimized images. AGC (Automatic Gain Control), 3D DNR (Dynamic Noise Reduction), and Dynamic Detail Enhancement further enhance image quality. Additionally, the 1080p sensor provides a matched field of view for unparalleled detailed images.

This series of cameras also features advanced fire detection and a wide range of Smart functions, including temperature exception, line crossing, intrusion, and region entrance and exit, benefitting users with great improvements in security efficiency and, more importantly, with key events and objects being recorded for further forensic needs.

The cameras can be outfitted with a 50 mm, 75 mm, or 100 mm lens to cover a variety of needs.

Available Models:

- 2TD6266-50H2L (50 mm lens)
- 2TD6266-75C2L (75 mm lens)
- 2TD6266-100C2L (100 mm lens)



Specifications

	2TD6266-50H2L	2TD6266-75C2L	2TD6266-100C2L
Thermal Module			
Image Sensor	Vanadium oxide uncooled focal plane arrays		
Maximum Resolution	640 × 512		
Detector Pitch	1.7 μm		
Response Waveband	8 μm to 14 μm		
NETD	<40 mk (@ 25° C, F# =1.0)		
Lens (Focal Length)	50 mm	75 mm	100 mm
MRAD	0.34 mrad	0.23 mrad	0.17 mrad
Field of View	12.42° x 9.95°	8.3° × 6.64°	6.23° × 4.98°
Minimum Focusing Distance	7.5 m	8 m	10 m
f/ Number	1.0		
Optical Camera			
Image Sensor	1/1.9" progressive scan CMOS	1/2.8" progressive scan CMOS	
Minimum Illumination	Color: 0.002 lux @ (f/1.5, AGC on); b/w: 0.0002 lux @ (f/1.5, AGC on)	Color: 0.05 lux @ (f/1.8, AGC on); b/w: 0.01 lux @ (f/1.8, AGC on)	
Focal Length	5.7 to 205.2 mm, 36x	6.7 to 330 mm, 49x	
Digital Zoom	16x		
Field of View	58.7° - 2.0° (wide to tele)	41.3° to 1.2° (wide to tele)	
Minimum Working Distance	10 to 1,500 mm (wide to tele)		
Aperture Range	f/1.5 to f/4.5	f/1.8 to f/6.1	
Focus Mode	Auto/semiautomatic/manual		
WDR	120 dB		
Shutter Time	PAL: 1 to 1/30,000s/NTSC: 1 to 1/30,000s		
White Balance	Auto/manual/ATW/indoor/outdoor/daylight lamp/sodium lamp		
Day/Night	IR cut filter		
Privacy Mask	24 privacy masks programmable, optional multiple colors and mosaics		
Optical Defog	Yes		
Enhancement	3D DNR		
Smart Function			
VCA	Supports 4 VCA rule types (line crossing, intrusion, region entrance, and region exiting), 10 scenes, and 8 VCA rules for each scene		
Temperature Measurement	Supports 3 temperature measurement rule types, over 256 presets, and 21 rules (10 points, 10 regions, and 1 line) for each scene		
Temperature Range	-4° to 302° F (-20° to 150° C)		
Temperature Accuracy	±8° C (14.4° F)		
Fire Detection	Supports 10 fire points		
PTZ			
Movement Range	Pan: 360° continuous rotate; tilt: from -90° to + 40° (auto flip)		
Pan Speed	Configurable, from 0.1°/s to 110°/s		
Tilt Speed	Configurable, from 0.1°/s to 50°/s		
Proportional Zoom	Yes		
Presets	300		
Patrol Scan	8, up to 32 presets per patrol		
Pattern Scan	4, more than 10 minutes per pattern		
Power Off Memory	Yes		
Park	Preset/pattern scan/patrol scan/auto scan/tilt scan/random scan/frame scan/panorama scan		
PT Status	Turn on/turn off		
Scheduled Task	Preset/pattern scan/patrol scan/auto scan/tilt scan/random scan/frame scan/panorama scan/doom reboot/doom adjust/aux output		
Infrared			
IR Distance	Up to 1640 ft (500 m)		
IR Intensity and Angle	Auto adjust		
Network			
Main Stream	Optical: 50 Hz: 25 fps (1920 × 1080), 25 fps (1280 × 960), 25 fps (1280 × 720); 60 Hz: 30 fps (1920 × 1080), 30 fps (1280 × 960), 30 fps (1280 × 720) Thermal: 50 fps (640 × 512)		
Sub-Stream	50 Hz: 25 fps (704 × 576), 25 fps (352 × 288), 25 fps (176 × 144); 60 Hz: 30 fps (704 × 480), 30 fps (352 × 240), 30 fps (176 × 120) Thermal: 50 fps (640 × 512)		
Video Compression	H.264 (Baseline/Main/High Profile)/MJPEG/MPEG4		
Audio Compression	G.711u/G.711a/G.722.1/MP2L2/G.726/PCM		
Protocols	IPv4 / IPv6, HTTP, HTTPS, 802.1x, QoS, FTP, SMTP, UPnP, SNMP, DNS, DDNS, NTP, RTSP, RTCP, RTP, TCP, UDP, IGMP, ICMP, DHCP, PPPoE, Bonjour		
Simultaneous Live View	Up to 20-ch		
User/Host Level	Up to 32 users, 3 levels: administrator, operator, user		
Security Measures	User authentication (ID and PW), MAC address binding, HTTPS encryption, IEEE 802.1x access control, IP address filtering		
Integration			
Alarm Input	Up to 7-ch inputs (0 to 5 VDC)		
Alarm Output	Up to 2-ch relay outputs, supports alarm linkage		
Alarm Action	Preset/patrol scan/pattern scan/SD card record/relay output/smart capture/FTP upload/e-mail linkage		
Audio Input	Line in input/microphone input; peak: from 2 to 2.4 V(p-p); output impedance: 1k Ω ±10%		
Audio Output	Linear level; impedance: 600 Ω		
Communication Interface	Built-in RJ45; 10M/100M Ethernet Interface		
Onboard Storage	Built-in microSD/SDHC/SDXC card slot, up to 64 GB, supports manual/alarm recording		
Analog Video Output	1.0V [p-p]/75 Ω, PAL/NTSC/BNC		
RS-485	Half-duplex; HIKVISION, PELCO-P, and PELCO-D self-adaptive		
API	Open-ended API, supports ISAPI, supports HIKVISION SDK and third-party management platforms		
Client	iVMS-4200		
Web Browser	IE 7+, Chrome 18+, Firefox 5.0+, Safari 5.02+; multiple languages		
General			
Menu	English		
Power	24 VAC, 120 W		
Work Temperature/Humidity	From -40° to 140° F [-40° to 65° C], humidity: 90% or less (non-condensing)		
Protection Level	IP66 standard; TVS 6000V lightning protection, surge protection, and voltage transient protection		
Dimensions	19.14" x 13.84" x 17.73" (486.1 mm x 351.6 mm x 450.3 mm)		
Weight	41.89 lbs (19 kg)		

Range Performance¹

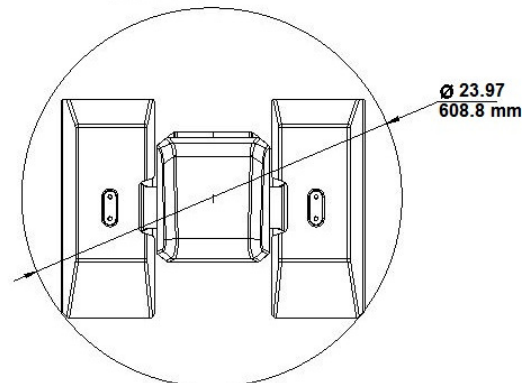
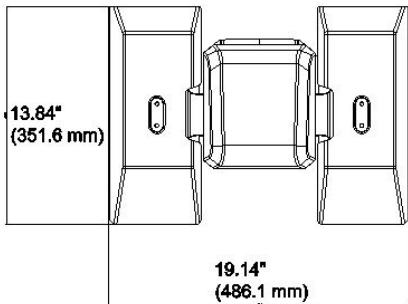
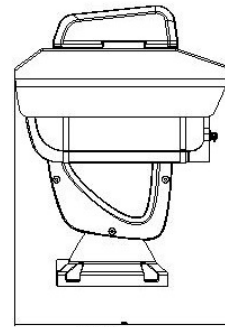
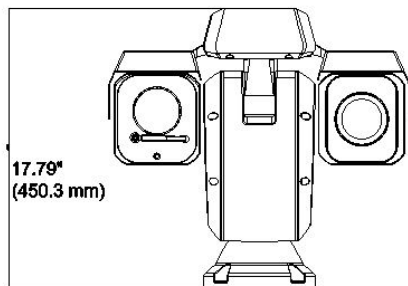
Standard Range Table	Model					
	2TD6266-50H2L		2TD6266-75C2L		2TD6266-100C2L	
Johnson Criteria	Human	Vehicle	Human	Vehicle	Human	Vehicle
Detection	4,826 ft (1,471 m)	14,797 ft (4,510 m)	7,238 ft (2,206 m)	22,195 ft (6,765 m)	9,648 ft (2,941 m)	29,593 ft (9,020 m)
Recognition	1,207 ft (368 m)	3,698 ft (1,127 m)	1,807 ft (551 m)	5,548 ft (1,691 m)	2,411 ft (735 m)	7,398 ft (2,255 m)
Identification	604 ft (184 m)	1,850 ft (564 m)	906 ft (276 m)	2,775 ft (846 m)	1,207 ft (368 m)	3,697 ft (1,127 m)

Smart Functions Range Table	Object	Model		
		2TD6266-50H2L	2TD6266-75C2L	2TD6266-100C2L
Line Cross/Intrusion/ Region Entrance-Exit	Human	1,181 ft (360 m)	2,100 ft (540 m)	1,181 ft (360 m)
Optimized to Johnson Criteria (Recognition)	Vehicle	3,376 ft (1,029 m)	5,065 ft (1,544 m)	3,698 ft (1,127 m)
Temperature Exception	Size of Point	Max Range	Max Range	Max Range
Accuracy at 5 x 5 pixels	2 m x 2 m	3,838 ft (1,170 m)	5,823 ft (1,775 m)	7,677 ft (2,340 m)
	1 m x 1 m	1,936 ft (590 m)	2,903 ft (885 m)	3,871 ft (1,180 m)
Advanced Fire Detection	Size of Point	Maximum Range	Maximum Range	Maximum Range
Accuracy at 2 x 2 pixels	2 m x 2 m	9,646 ft (2,940 m)	14,468 ft (4,410 m)	19,291 ft (5,880 m)
	1 m x 1 m	4,823 ft (1,470 m)	7,234 ft (2,205 m)	9,646 ft (2,940 m)

Accessories



Dimensions



¹ Range performance values are calculated under ideal conditions and are not a guarantee of performance.