

DS-2CD6D54G1-IZS

PanoVu EXIR Flexible Network Camera



Hikvision's DS-2CD6D54G1-IZS EXIR PanoVu Flexible Outdoor Network Camera features 1/2.7" progressive scan CMOS sensors and four lenses. Each lens supports a resolution of up to 2560 x 1920 at 24 fps. Compression up to H.265+ saves bandwidth and storage space. EXIR technology extends the IR range to 100 feet (30 meters).

Available Models

DS-2CD6D54G1-IZS

- 1/2.7" Progressive Scan CMOS
- 2560 x 1920 @ 24 fps
- Four Flexible Lenses
- FOV: Horizontal 100° to 49°, Vertical 72° to 36.4°, Diagonal 134.4° to 61.4°
- H.265+, H.265, H.264+, H.264
- 120 dB WDR
- 6 Behavior Analyses, 4 Exception Detections, and Face Detection
- 100 ft (30 m) IR Range
- IP67, IK10
- 4 x 2-Axis Individual Camera Gimbals



Specifications

DS-2CD6D54G1-IZS		
Camera		
Image Sensor	1/2.7" progressive scan CMOS	
Minimum Illumination	Color: 0.0125 lux @ (f/1.9, AGC on), B/W: 0.0025 lux @ (f/1.9, AGC on)	
Shutter Speed	1 s to 1/100,000 s	
Slow Shutter	Yes	
Day/Night	IR cut filter	
WDR	120 dB	
Adjustment	Pan: -60° to 60°, tilt: 10° to 90°	
Lens		
Focal Length	2.8 mm to 8 mm motorized varifocal lens	
Aperture	f/1.9	
Focus	Manual, semi-automatic	
FOV	Horizontal field of view: 100° to 49° Vertical field of view: 72° to 36.4° Diagonal field of view: 134.4° to 61.4°	
Lens Mount	Ø14	
IR		
IR Range	Up to 100 ft (30 m)	
Wavelength	850 nm	
DORI¹ (Detect, Observe, Recognize, Identify)		
Detect Distance	Wide	197 ft (60 m)
	Tele	394 ft (120 m)
Observe Distance	Wide	75 ft (23 m)
	Tele	154 ft (47 m)
Recognize Distance	Wide	39 ft (12 m)
	Tele	79 ft (24 m)
Identify Distance	Wide	20 ft (6 m)
	Tele	39 ft (12 m)
Video²		
Maximum Resolution	2560 x 1920	
Video Streams	Three defined streams	
Main Stream	24 fps (2560 x 1920, 2048 x 1536, 1920 x 1080, 1280 x 720)	
Sub Stream	24 fps (704 x 480, 640 x 480)	
Third Stream	8 fps (1920 x 1080, 1280 x 720, 704 x 480, 640 x 480)	
Video Compression	Main stream: H.265+/H.265/H.264+/H.264 Sub stream: H.265/H.264/MJPEG Third stream: H.265/H.264	
H.264 Type	Baseline profile/main profile/high profile	
H.264+	Main stream supported	
H.265 Type	Main profile	
H.265+	Main stream supported	
Video Bit Rate	32 Kbps to 16 Mbps	
SVC	H.264 encoding	
Audio		
Audio Compression	G.711/G.722.1/G.726/MP2L2/PCM	
Audio Bit Rate	64 Kbps (G.711)/16 Kbps (G.722.1)/16 Kbps (G.726)/32 to 160 Kbps (MP2L2)/32 Kbps (PCM)	
Environment Noise Filtering	Yes	
Audio Sampling Rate	8 kHz/16 kHz/32 kHz/44.1 kHz/48 kHz	
Smart Features³		
Smart Event	<ul style="list-style-type: none"> Line crossing detection (up to 4 lines configurable) Intrusion detection, region entrance detection, region exiting detection, unattended baggage detection, object removal detection (up to 4 regions configurable) Scene change detection, audio exception detection, defocus detection 	
Basic Event	Motion detection, video tampering alarm, exception (network disconnected, IP address conflict, illegal login, HDD full, HDD error)	
Linkage Method	Upload to FTP/NAS/memory card, notify surveillance center, send e-mail, trigger alarm output, trigger recording, trigger capture	
Region of Interest	Four fixed regions and dynamic face tracking for each system	
Image		
Image Enhancement	BLC, HLC, 3D DNR, Defog, EIS	
Image Setting	Rotate mode, saturation, brightness, contrast, sharpness, AGC and white balance are adjustable by client software or Web browser	
Target Cropping	Yes	
Day/Night Switch	Day/night/auto/schedule/triggered by alarm in	
Picture Overlay	Logo picture can be overlaid on video with 128 x 128 24-bit bmp format	
SNR	≥52 dB	

¹ DORI: The DORI (detect, observe, recognize, identify) distance gives the general idea of the camera ability to distinguish persons or objects within its field of view. It is calculated based on the camera sensor specification and the criteria given by EN 62676-4: 2015.

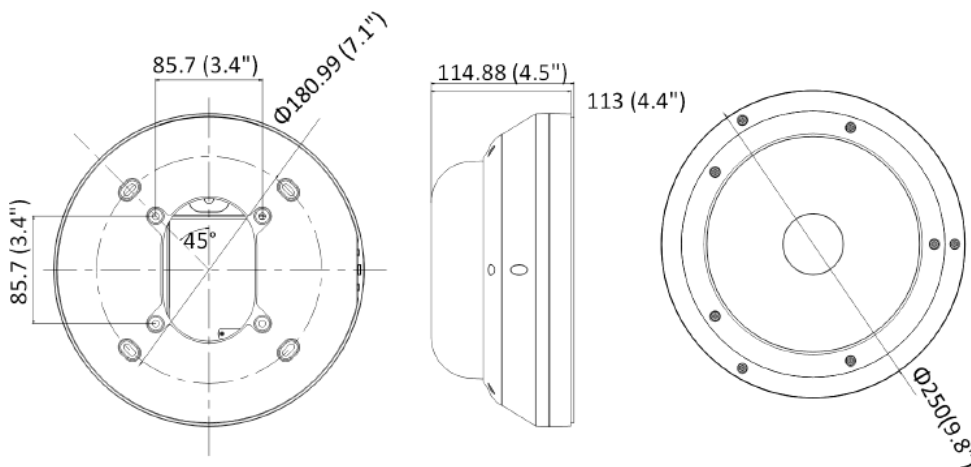
² Listed resolutions are only selectable options. It does not mean that all streams can work at their maximum resolution at the same time.

³ Smart Events and Dynamic Face Tracking are limited to 2 channels at a time (channels 1 and 3 or 2 and 4).

Specifications (continued)

Network	
Network Storage	Supports microSD/SDHC/SDXC card (128 GB), local storage and NAS (NFS, SMB/CIFS), ANR
Protocols	TCP/IP, ICMP, HTTP, HTTPS, FTP, DHCP, DNS, DDNS, RTP, RTSP, RTCP, PPPoE, NTP, UPnP, SMTP, SNMP, IGMP, 802.1x, QoS, IPv6, UDP, Bonjour
API	ONVIF (PROFILE S, PROFILE G, PROFILE T), ISAPI, SDK, Ehome
Security	Password protection, complicated password, HTTPS encryption, 802.1x authentication (EAP-MD5), watermark, IP address filter, basic and digest authentication for HTTP/HTTPS, WSSE and digest authentication for ONVIF
Simultaneous Live View	Up to 20 channels
User/Host	Up to 32 users, 3 levels: Administrator, Operator, and User
Client	iVMS-4200, Hik-Connect, HikCentral
Web Browser	IE 8+, Chrome 41.0–44, Firefox 30.0–51, Safari 8.0–11
Interface	
Audio	1-ch 3.5 mm input (line in), 1-ch 3.5 mm output, mono sound
Communication Interface	1 RJ-45 10M/100M/1000M Ethernet port, built-in RS-232 1 RS-485 interface (half duplex, HIKVISION, Pelco-P, Pelco-D, self-adaptive)
Alarm	2 inputs, 2 outputs (maximum 24 VDC, 1A)
On-Board Storage	Built-in microSD/SDHC/SDXC slot, up to 128 GB
General	
General Function	Anti-flicker, three streams, heartbeat, mirror, privacy masks
Reset	Reset button on camera body, Web browser, and client software
Startup and Operating Conditions	-22° to 140° F (-30° to 60° C), humidity 95% or less (non-condensing)
Storage Conditions	-22° to 140° F (-30° to 60° C), humidity 95% or less (non-condensing)
Power Supply	12 VDC ±20%, reverse polarity protection, three-core terminal block; 24 VAC ±20%, PoE (802.3at, class 4)
Power Consumption and Current	12 VDC, 1.8 A, 22 W; 24 VAC, 1.4 A, 22 W; PoE (802.3at, 42.5 to 57 VDC), 0.44 to 0.33 A, 19 W, class 4
Protection	IP67 and IK10
Material	Bubble and IR cover: plastic; camera: metal
Dimensions	Camera: 09.8" x 4.4" (Ø250 mm x 113 mm) Package: 13.2" x 10.3" x 11.5" (336 mm x 261 mm x 293 mm)
Weight	Camera: 4.7 lbs (2.13 kg) With Package: 8.6 lb (3.9 kg)
Approvals	
EMC	47 CFR Part 15, Subpart B; EN 55032: 2015, EN 61000-3-2: 2014, EN 61000-3-3: 2013, EN 50130-4: 2011 +A1: 2014; AS/NZS CISPR 32: 2015; ICES-003: Issue 6, 2016; KN 32: 2015, KN 35: 2015
Safety	UL 60950-1, IEC 60950-1:2005 + Am 1:2009 + Am 2:2013, EN 60950-1:2005 + Am 1:2009 + Am 2:2013, IS 13252 (Part 1):2010 + A1:2013 + A2:2015
Chemistry	2011/65/EU, 2012/19/EU, Regulation (EC) No 1907/2006
Protection	Ingress protection: IK10 (IEC 62262:2002), IP67 (IEC 60529-2013)

Dimensions



Units: mm (inches)

Accessories (Not Included)

					
WMP-L Wall Mount	WMP-PV Wall Mount	JBPW-L Wall Mount	PMP Vertical Pole Mount	CMP Corner Mount	CPM-S Pendant Mount
					
PC-G1 Pendant Cap	CMP-JB Corner Mount	PMP-JB Pole Mount			

Box Contents (Subject to Change without Notice)

Quick Start Guide
Screws
Watertight Cable Connector
Waterproof Tape x 5
Wall Anchors
Wrench
Cleaning Cloth