

DS-2TD2166-7/15/25/35

Thermal Network Outdoor Bullet Camera

- **640 x 512 Resolution**
- **Vanadium Oxide Uncooled FPA**
- **7 mm, 15 mm, 25 mm, and 35 mm Lens Options**
- **NETD <50 mk**
- **Adaptive AGC, 3D DNR**
- **Dynamic Detail Enhancement**
- **Smart Features**
 - Line Crossing, Intrusion, Region Entrance/Exit
 - Temperature Exception
 - Advanced Fire Detection
- **14 Pseudo Colors Adjustable**
- **Includes Conduit Base**
- **IP66**
- **POE+ (802.3at), 24 VAC/12 VDC, 8 W**



The Hikvision DS-2TD2166-7, DS-2TD2166-15, DS-2TD2166-25, and DS-2TD2166-35 Thermal Network Bullet Cameras use a vanadium oxide uncooled focal plane sensor to enhance the thermal image quality.

The high sensitivity sensor has 640 x 512 resolution and features contrast adjustment for optimized images. AGC (Automatic Gain Control), 3D DNR (Dynamic Noise Reduction), and Dynamic Detail Enhancement further enhance image quality.

This series of cameras also feature advanced fire detection and a wide range of Smart functions, including temperature exception, line crossing, intrusion, and region entrance and

exit, benefitting users with great improvements on security efficiency and, more importantly, with key events and objects being recorded for further forensic needs.

The cameras can be outfitted with a 7 mm, 15 mm, 25 mm, or 35 mm lens to cover a variety of needs.

Available Models:

- DS-2TD2166-7 (7 mm Lens)
- DS-2TD2166-15 (15 mm Lens)
- DS-2TD2166-25 (25 mm Lens)
- DS-2TD2166-35 (35 mm Lens)



Specifications

	DS-2TD2166-7	DS-2TD2166-15	DS-2TD2166-25	DS-2TD2166-35
Thermal Module				
Image Sensor	Vanadium oxide uncooled focal plane arrays			
Maximum Resolution	640 × 512			
Response Waveband	8 μm to 14 μm			
NETD	<50 mk (@ 25° C, F# = 1.0)			
Lens (Focal Length)	7 mm	15 mm	25 mm	35 mm
Mirad	2.42	1.13	0.68	0.49
Field of View	88.5° × 73.2°	39.87° × 32.36°	24.55° × 19.75°	17.67° × 14.18°
Minimum Focusing Distance	0.8 m	2.5 m	13 m	40 m
f/ Number	1.0			
Smart Function				
VCA	Supports four VCA rule types (line crossing, intrusion, region entrance, and region exiting), 8 VCA rules			
Temperature Measurement	Supports three temperature measurement rule types, 21 rules (10 points, 10 regions, and 1 line)			
Temperature Range	-4° to 302° F (-20° to 150° C)			
Temperature Accuracy	Maximum (±8° C)			
Fire Detection	Supports 10 fire points			
Network				
Main Stream	50 fps (640 × 512, 384 × 288, 352 × 288)			
Sub Stream	50 fps (640 × 512, 384 × 288, 352 × 288)			
Third Stream	50 fps (640 × 512, 384 × 288, 352 × 288)			
Video Compression	H.264/MJPEG/MPEG4, H.264+ encoding with baseline/main/high profile			
Audio Compression	G.711u/G.711a/G.722.1/MP2L2/G.726/PCM			
Protocols	IPv4/IPv6, HTTP, HTTPS, 802.1x, QoS, FTP, SMTP, UPnP, SNMP, DNS, DDNS, NTP, RTSP, RTCP, RTP, TCP, UDP, IGMP, ICMP, DHCP, PPPoE, Bonjour			
Simultaneous Live Views	Up to 20			
User/Host Levels	Up to 32 users, 3 levels: administrator, operator, user			
Security Measures	User authentication (ID and PW), MAC address binding, HTTPS encryption, IEEE 802.1x access control, IP address filtering			
Integration				
Alarm Inputs	2-ch inputs (0 to 5 VDC)			
Alarm Outputs	2-ch relay outputs, alarm response actions configurable			
Alarm Actions	SD recording/relay output/smart capture/FTP upload/e-mail linkage			
Audio Inputs	1 3.5 mm mic in/line in interface. line input: 2-2.4 V(p-p), output impedance:1K Ω ±10%			
Audio Outputs	Line level, impedance: 600 Ω			
Reset	1 reset button			
Ethernet	1 RJ-45 10M/100M self-adaptive Ethernet interface			
SD Memory Card	Built-in microSD card slot, supports microSD/SDHC/SDXC card (up to 64 GB), supports manual/alarm recording			
Analog Video Output	1.0 V(p-p) /75 Ω, PAL (or NTSC), BNC			
RS485 Protocols	Half-duplex; HIKVISION, PELCO-P, PELCO-D, self-adaptive			
Application Programming	Open-ended API, supports ONVIF, PSIA, CGI, HIKVISION SDK, and third-party management platform			
Client	iVMS-4200			
Web Browser	IE7+, Chrome 18+, Firefox 5.0+, Safari 5.02+, multiple languages			
General				
Menu Language	English			
Power	POE+ (802.3at), 24 VAC, 12 VDC/3 A, 8 W			
Working Temperature Humidity	-40° to 140° F (-40° to 65° C), 90% or less			
Protection Levels	IP66, TVS 6000 V lightning protection, surge protection, voltage transient protection			
Dimensions	12.36" × 4.09" × 11.52" (314 mm × 104 mm × 292.7 mm)			
Weight	4.41 lb (2 kg)			

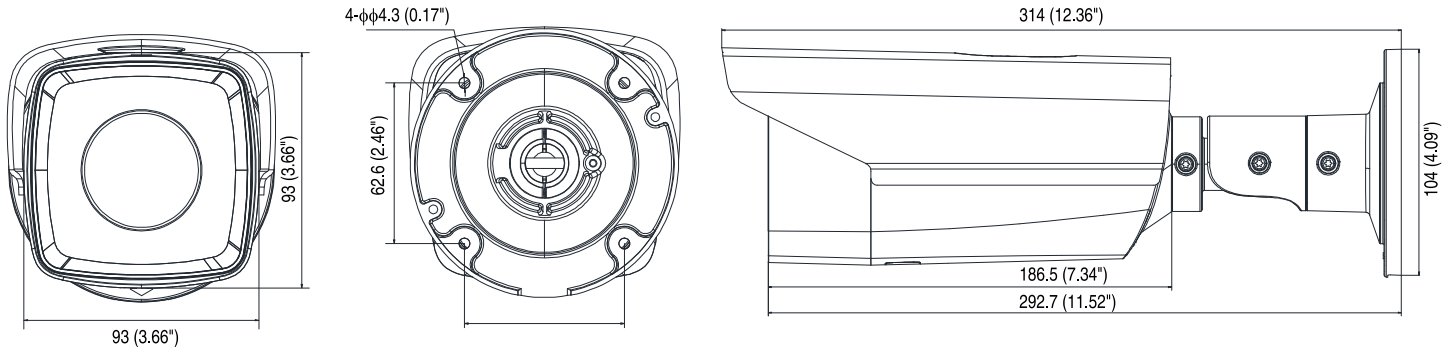
Range Performance¹

Standard Range Table	Model							
	DS-2TD2166-7		DS-2TD2166-15		DS-2TD2166-25		DS-2TD2166-35	
Johnson Criteria	Human	Vehicle	Human	Vehicle	Human	Vehicle	Human	Vehicle
Detection	675 ft (206 m)	2,070 ft (631 m)	1,447 ft (441 m)	4,439 ft (1,353 m)	2,411 ft (735 m)	7,398 ft (2,255 m)	3,376 ft (1,029 m)	10,358 ft (3,157 m)
Recognition	167 ft (51 m)	518 ft (158 m)	361 ft (110 m)	1,109 ft (338 m)	604 ft (184 m)	1,850 ft (564 m)	843 ft (257 m)	2,589 ft (789 m)
Identification	85 ft (26 m)	259 ft (79 m)	180 ft (55 m)	554 ft (169 m)	302 ft (92 m)	925 ft (282 m)	423 ft (129 m)	1,296 ft (395 m)

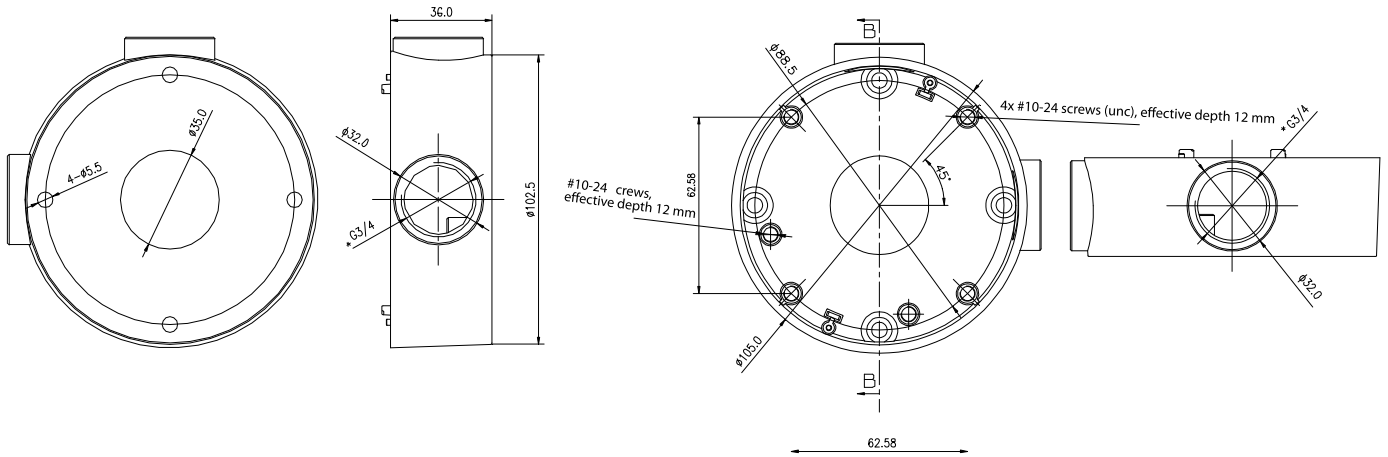
Smart Functions Range Table		Model			
Line Cross/Intrusion/Region Entrance-Exit	Object	DS-2TD2166-7	DS-2TD2166-15	DS-2TD2166-25	DS-2TD2166-35
Optimized to Johnson Criteria (Recognition)	Human	164 ft (50 m)	361 ft (110 m)	604 ft (184 m)	843 ft (257 m)
	Vehicle	472 ft (144 m)	1,109 ft (338 m)	1,850 ft (564 m)	2,589 ft (789 m)
Temperature Exception	Size of Point	Max Range	Max Range	Max Range	Max Range
Accuracy at 5 × 5 pixels	2 m × 2 m	538 ft (164 m)	1,152 ft (351 m)	1,919 ft (585 m)	2,687 ft (819 m)
	1 m × 1 m	272 ft (83 m)	581 ft (177 m)	968 ft (295 m)	1,355 ft (350 m)
Advanced Fire Detection	Size of Point	Max Range	Max Range	Max Range	Max Range
Accuracy at 2 × 2 pixels	2 m × 2 m	1,351 ft (412 m)	2,894 ft (882 m)	4,823 ft (1,470 m)	6,752 ft (2,058 m)
	1 m × 1 m	676 ft (206 m)	1,447 ft (441 m)	2,411 ft (735 m)	3,376 ft (1,029 m)

¹Range performance values are calculated under ideal conditions and are not a guarantee of performance.

Dimensions



Camera



Conduit Base (included)