

DS-2CE16D1T-IT1

HD 1080P EXIR Outdoor Bullet Camera

- 1/2.7" (2 MP) High-Performance CMOS
- Analog HD Output, Up to 1080p Resolution
- True Day / Night, Smart IR
- Up to 65 ft (20 m) IR distance
- IP66 Weatherproof
- OSD Menu
- Up the Coax (HIKVISION-C Protocol)

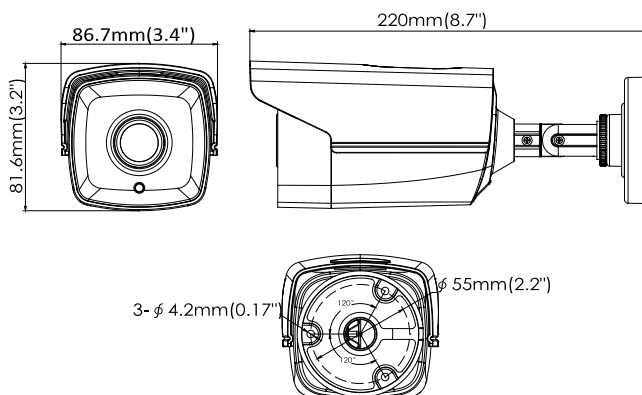


Hikvision DS-2CE16D1T-IT1 HD1080P EXIR Bullet Cameras are a versatile solution for all of your security needs. They feature a wide range viewing angle that captures images with a resolution of 1080p at up to 30 fps. The EXIR Bullet Camera supports the Hikvision-Up-the-Coax protocol, and is equipped with an IR lamp with a range of up to 65 ft (20 m), which facilitates nighttime recording.

It is an outdoor IP66 camera that supports a wide temperature range.

Available models:
DS-2CE16D1T-IT1

Dimensions



DS-2CE16D1T-IT1

Camera

Image Sensor	1/2.7" (2 MP) CMOS Image Sensor
Signal System	PAL / NTSC
Effective Pixels	1984 (H) x 1105 (V)
Minimum Illumination	0.01 Lux @ (F1.2, AGC ON), 0 Lux with IR
Shutter Time	1/25 (1/30) s to 1/50,000 s
Lens	2.8 mm, 3.6 mm, 6 mm optional
Angle of View	105.8° (2.8 mm), 84.3° (3.6 mm), 55.4° (6 mm)
Lens Mount	M12
Day and Night	ICR
3-Axis Positioning	Pan: 0 to 360°, Tilt: 0 to 180°, Rotation: 0 to 360°
Synchronization	Internal synchronization
Video Frame Rate	1080p @ 25 fps / 1080p @ 30 fps (PAL/NTSC)
HD Video Output	1 analog HD-TVI output
S/N Ratio	> 62 dB






Menu

AGC	High / medium / low / off
D/N Mode	Smart IR / color / BW
White Balance	Auto / manual
BLC	Supported
Language	English
Functions	Digital noise reduction, mirror

General

Operating Conditions	-40° F to 140° F (-40° C to 60° C), humidity 90% or less (non-condensing)
Power Supply	12 VDC ± 15%
Power Consumption	Maximum 4 W
Protection Level	IP66
IR Range	Up to 20 m
Communication	Up-the-Coax Protocol: HIKVISION-C (HD-TVI output)
Dimensions	Φ3.52" × 2.75" (Φ89.5 × 59.1 mm)
Weight	340 g

Accessories

				
CBXS Conduit base	DS-1H18 Video balun	X41T Camera tester	CM Corner mount	PM Pole mount