

DS-2CE56D0T-IR

2 MP Outdoor IR Turret Camera



- 2 MP High Performance CMOS
- Up to 1080p Resolution
- Ultra-Low Light
- 2.8 mm, 3.6 mm, or 6 mm (optional)
- Fixed Focal Lens
- Up to 65 ft (20 m) IR Range
- IP66 Protection

The Hikvision DS-2CE56D0T-IR 2 MP Outdoor IR Turret Camera provides high definition analog output. TurboHD means that the analog signal can be sent over existing coaxial cable, eliminating the need to run new cables for high definition video.

This camera is equipped with an IR range of up to 65 ft (20 m).

The 2.8 mm, 3.6 mm, and 6 mm lens options are optimized for viewing angles that fit any situation.



Available models:
DS-2CE56D0T-IR



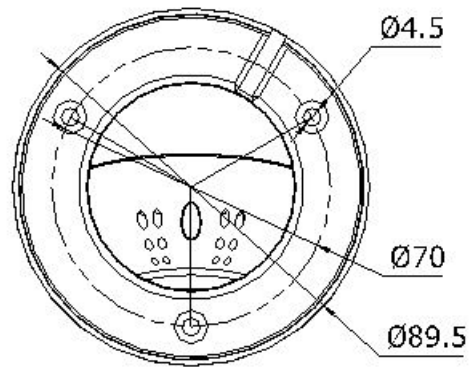
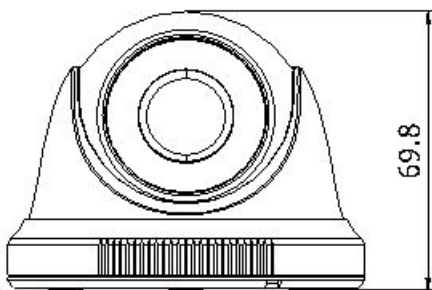
Specifications

DS-2CE56D0T-IR	
Camera	
Image Sensor	2.0 MP progressive scan CMOS
Signal System	PAL/NTSC
Effective Pixels	1920 (H) x 1080 (V)
Minimum Illumination	0.01 Lux @ (F1.2, AGC ON), 0 Lux with IR
Shutter Time	1/25 (1/30)s to 1/50,000s
Lens	2.8 mm, 3.6 mm, 6 mm optional
	Angle of View: 103° (2.8 mm), 82.2° (3.6 mm), 54° (6 mm)
Lens Mount	M12
Day & Night	ICR
Angle Adjustment	Pan: 0 - 360°, tilt: 0 - 75°, rotation: 0 - 360°
Synchronization	Internal synchronization
Video Frame Rate	1080p @ 25 fps / 1080p @ 30 fps
HD Video Output	One analog HD output
S/N Ratio	> 62 dB
General	
Operating Conditions	-40° F to 140° F (-40° C to 60° C), humidity: 90% or less (non-condensation)
Power Supply	12 VDC ± 25%
Power Consumption	Maximum 4 W
Ingress Protection	IP66
IR Range	Up to 65 ft (20 m)
Dimensions	Ø 3.52" x 2.75" (Ø89.5 mm x 69.8 mm)
Weight	Approximately 0.62 lbs (280 g)

Accessories

					
CBXS Conduit Base	WML+ PC110T Wall Mount Long and 110TRS Pendant Cap	PM Pole Mount Adaptor	DS-1H18 Video Bailun	CM Corner Mount Adapter	ABM Angled Base

Dimensions



Unit: mm