

DS-2AE7232TI-A

2 MP 32x Outdoor TurboHD PTZ Speed Dome



- **1/2.8" Progressive Scan CMOS**
- **Up to 1920 x 1080 Resolution**
- **Minimum Illumination:**
Color: 0.005 Lux @ (f/1.2, AGC on)
B/W: 0.001 Lux @ (f/1.2, AGC on)
- **32x Optical Zoom, 16x Digital Zoom**
- **Up to 490 ft (150 m) IR Distance**
- **120 dB True WDR**
- **3D Intelligent Positioning**
- **Multiprotocol Output: TVI/AHD/CVI/CVBS**
- **IP66 Protection**
- **24 VAC, Maximum 40 W (54 W with IR)**

Hikvision DS-2AE7232TI-A TurboHD PTZ Speed Dome Cameras produce images with a resolution of up to 1920 x 1080 pixels.

The embedded 1/2.8" progressive scan CMOS chip supports true WDR, and the 32x optical zoom allows for greater detail to be collected over more expansive areas. IR technology with a distance of 490 ft (150 m) is also featured.

The TurboHD PTZ Speed Dome Camera also features multiprotocol output, which allows for video switching between different recording modes.

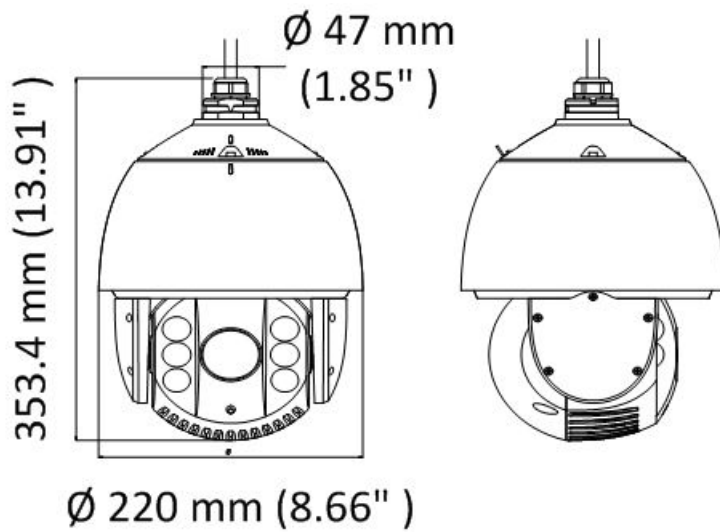
Available models:
DS-2AE7232TI-A



Specifications

DS-2AE7232TI-A	
Camera Module	
Image Sensor	1/2.8" progressive scan CMOS
Maximum Image Resolution	1920 x 1080
Frame Rate	30 fps @ (1920 × 1080)
Minimum Illumination	Color: 0.005 lux @ (f/1.2, AGC on), B/W: 0.001 lux @ (f/1.2, AGC on)
White Balance	Auto/manual/hauto (half auto)/ATW (Auto Tracking White)/indoor/outdoor
AGC	Auto/manual
DNR	3D DNR
WDR	≥120 dB
Shutter Speed	1/1 s to 1/10,000 s
Day/Night	IR cut filter
Digital Zoom	16x
Privacy Mask	8 programmable privacy masks
BLC (Backlight Compensation)	Yes
HLC (highlight Compensation)	Yes
EIS (Electric Image Stabilization)	Yes
Regional Focus	Yes
Lens	
Focus Mode	Auto/semi-auto/manual
Focal Length	4.8 mm to 153 mm, 32x optical
Aperture Range	f/1.2 to f/4.4
Field of View	Horizontal field of view: 54.2° to 1.97° (wide to tele)
Minimum Working Distance	10 mm to 1500 mm (wide to tele)
Zoom Speed	Approximately 3.5 s (optical, wide to tele)
PTZ	
Pan Range	360° endless
Pan Speed	Configurable, from 0.1°/s to 160°/s, preset speed: 160°/s
Tilt Range	From -15° to 90° (auto-flip)
Tilt Speed	Configurable, from 0.1°/s to 120°/s, preset speed: 120°/s
Proportional Zoom	Rotation speed can be adjusted automatically according to zoom multiples
Presets	256
Patrol	10 patrols, up to 32 presets for each patrol
Pattern	5 patterns, with a total recording time no less than 10 minutes
Power-Off Memory	Yes
Park Action	Preset/patrol/pattern/pan scan/tilt scan/panorama scan/day mode/night mode/none
PTZ Position Display	On/off
Preset Freezing	Yes
Scheduled Task	Preset/patrol/pattern/pan scan/tilt scan/panorama scan/day mode/night mode/zero calibration/none
IR	
IR Distance	490 ft (150 m)
IR Intensity	Automatically adjusted depending on zoom ratio
Input/Output	
Video Output	Switchable TVI/AHD/CVI/CVBS video output (NTSC, BNC)
RS-485 Interface	Half-duplex mode, self-adaptive Hikvision, Pelco-P, Pelco-D protocols
UTC Function	UTC protocol (HIKVISION-C protocol)
General	
Power	24 VAC, maximum 40 W (54 W with IR)
Working Temperature	-22° to 149° F (-30° to 65° C)
Working Humidity	90% or less non-condensing
Protection Level	IP66 standard, TVS 4000 V lightning protection, surge protection, and voltage transient protection
Dimension	Ø8.66" × 13.91" (Ø220 mm × 353.4 mm)
Weight	9.92 lbs (4.5 kg)

Dimensions



Accessories

NOT INCLUDED					
WMP-L Wall Mount PTZ Long	CMP Corner Mount for WMP-S/L	PMP Pole Mount for WMP-S/L	JBPW-L Power Box Mount w/Wall Bracket	CMP-JB Corner Mount for JBPW-L	PMP-JB Pole Mount for JBPW-L
CPM-S Short Ceiling Pendant Mount	CPM-L Long Ceiling Pendant Mount	CPMPE Ceiling Pendant Mount Extension Pipe	PMP-V Horizontal Pole Mount for CPM-S/L	RPM Roof Parapet Mount	

INCLUDED
<p>(actual product appearance may vary)</p> <p>G1.5 Adapter Converts Hikvision Quick Release To G 1.5" Thread</p>