

Blazer Pro 128/256

All-in-One Server: NVR and HikCentral



- One PC Board for HikCentral
 - One Linux Board for 128/256 NVR
 - SSD for Windows OS and HikCentral
 - 16 HDD bays for NVR recording
 - Up to 8TB per Drive
 - Full HikCentral Feature Set
 - Ability to Manage Up to 2,700 Remote Cameras
- Smart Feature Management:**
- Line Crossing, Intrusion, Region Entrance/Exit
 - Heat Map
 - People Counting
 - License Plate Recognition

Blazer Pro is a powerful, convenient server for local and remote video management, business intelligence, and central data storage.

Hikvision Blazer Pro is an All-in-One Recorder that combines Hikvision's powerful HikCentral video management system with NVR data storage into one physical server unit.

The Blazer Pro has what it takes to satisfy any requirement – from basic functions, such as recording, live view, playback, and alarm management, to optional advanced functions such as license plate recognition and people counting. Our innovative double-board design meets redundancy and high density central recording requirements, all within one server.

Due to its advanced and easy video management, Blazer Pro is ideal for 128- to 256-channel, medium-sized projects, including shopping malls, commercial buildings, and campuses

Available models: Blazer Pro 128, Blazer Pro 256

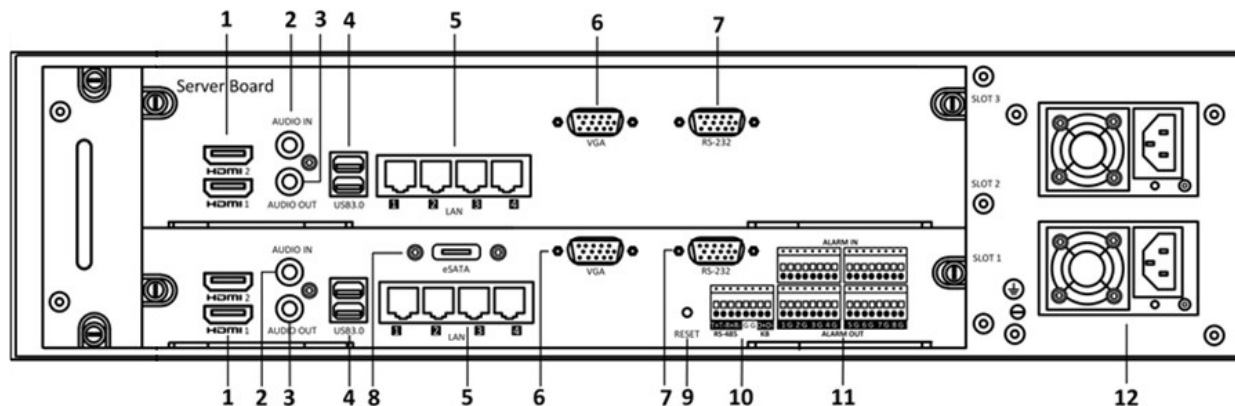
*Please contact your regional sales manager for license and training.

Specifications

	Blazer Pro/128/16H	Blazer Pro/256/16H
Server Board		
General		
CPU	Intel® Xeon® Quad-Core (64-bit) E3-1225 V5 CPU @ 3.30GHz	
Memory	4 × DDR4 slots, 8GB ECC + UDIMM memory (extendable up to 64 GB)	
Operating System	Microsoft® Windows 10 [pre-installed with HikCentral V1.1]; Optional: Microsoft® Windows Server 2012 R2 [pre-installed with HikCentral V1.1]	
System Disk	Industrial-level SSD with 128 GB capacity	
Network Interface	4 RJ-45 10/100/1000 Mbps self-adaptive Ethernet interfaces, independent IP address by default	
Serial Interface	RS-232	
USB Interface	Front panel: 2 × USB 2.0; Rear panel: 2 × USB 3.0	
Video Decoding Format	H.265, H.265+, H.264, H.264+, MPEG4, MJPEG	
Decoding Performance	24 × 1080p	
Maximum Default Number of Licenses	Up to 128 cameras	Up to 256 cameras
License	Expandable up to 1,024 cameras	
Maximum Concurrent Clients	100	
Maximum Concurrent Mobile Clients	100	
Maximum Connected Encoding Devices	1,024	
Maximum Connected Cameras	1,024	
Maximum Alarm Inputs	1,024	
Maximum Alarm Outputs	1,024	
Maximum ANPR Cameras	20	
Maximum People Counting Cameras	70 (up to 4 cameras can be displayed in one people counting report)	
Maximum Heat Map Cameras	70	
Maximum Recording Servers	16	
Maximum Areas	3,000	
Maximum Area Hierarchies	5	
Maximum Cameras per Area	64	
Maximum Alarm Inputs per Area	64	
Maximum Alarm Outputs per Area	64	
Maximum Maps	1,024	
Maximum Map Resolution	1920 × 1080	
Maximum Map Hierarchies	6	
Maximum Hot Regions per Map	64	
Maximum Camera Hot Spots per Map	128	
Maximum Alarm Input Hot Spots per Map	128	
Maximum Alarm Output Hot Spots per Map	128	
Maximum Labels per Map	128	
Maximum Hot Regions	1,024	
Maximum Camera Hot Spots	3,000	
Maximum Alarm Input Hot Spots	3,000	
Maximum Alarm Output Hot Spots	3,000	
Maximum Labels	3,000	
Maximum Users	3,000	
Maximum Roles	3,000	
Maximum Alarm Logs	60,000,000	
Maximum Event Logs	60,000,000	
Maximum Operation Logs	5,000,000	
Maximum System Logs	5,000,000	
Maximum Tags	60,000,000	
Maximum People Counting Records	5,000,000, stored for 2 years	
Maximum Heat Map Records	250,000, stored for 2 years	
Maximum License Plate Recognition Records	60,000,000	
Smart Wall Module on Control Client	Optional (not installed by default)	
Remote Site Management (RSM)	Optional (not activated by default, based on the License); if activated, the maximum number of resources can be managed as follows: 1,024 remote sites and 1,024 cameras	
RoseReplicatorPlus Control Center	Optional (not installed by default)	
Manageable Device Type	NVR, DVR, network camera, encoder, decoder, video wall controller, CVR, Cloud Storage Server, Blazer Express (version 1.4 and later, managed via RSM), Blazer Pro without RSM (version 2.1 and later, managed via RSM)	
Operating System and HikCentral Language	Bulgarian, Czech, Danish, English, French, German, Hungarian, Japanese, Polish, Portuguese, Russian, Simplified Chinese, Spanish, Thai, Traditional Chinese, and Turkish	
HDD		
HDD Slot	4 × SATA interfaces, 2.5-inch HDDs are connectable	
HDD for HikCentral	1 × 2.5" 1 TB HDDs are delivered with device, and are expandable to up to four 2.5" HDDs	
Video Output		
HDMI Output	2 (independent output)	
VGA Output	1 (independent output)	
Audio Input/Output		
Audio Input	1, RCA [2.0 Vp-p, 1KΩ]	
Audio Output	1, RCA [2.0 Vp-p, 1KΩ]	
Network Bandwidth		
Incoming	500 Mbps	
Outgoing	400 Mbps	
Streaming Gateway		
Incoming	Maximum 200 × 2 Mbps	
Outgoing	Maximum 200 × 2 Mbps	

Storage Board	
General	
Operating System	Embedded Linux
Network Camera Video Input	128-ch
Incoming / Outgoing Bandwidth	576/512 Mbps
Network Interface	4 × RJ-45 10/100/1000 Mbps self-adaptive Ethernet interfaces
Alarm Input / Output	16/8
Serial Interface	1 × RS-232; 1 × RS-485 (full-duplex); 1 × Keyboard
USB Interface	Rear panel: 2 × USB 3.0
Language	English
Master Chip	
CPU	Intel® Core™ i3-6100
System Disk	SSD with 8 GB capacity
Memory	4 × DDR4 slots, 8 GB ECC + UDIMM memory
Intel® Xeon® E3-1225	
Video/Audio Output	
HDMI Output	2-ch (independent output); 4K (4096 × 2160), 4K (3840 × 2160)/30 Hz, 2K (2560 × 1440)/60 Hz, 1080p (1920 × 1080)/60 Hz, UXGA (1600 × 1200)/60 Hz, SXGA (1280 × 1024)/60 Hz, 720p (1280 × 720)/60 Hz, XGA (1024 × 768) /60 Hz
VGA Output	1-ch; 1080p (1920 × 1080)/60 Hz, UXGA (1600 × 1200)/60 Hz, SXGA (1280 × 1024)/60 Hz, 720p (1280 × 720) /60 Hz, XGA (1024 × 768)/60 Hz
Two-Way Audio	1-ch, RCA (2.0 Vp-p, 1KΩ)
Audio Output	1-ch, RCA (2.0 Vp-p, 1KΩ)
Video/Audio Decoding	
Video Decoding Format	H.265, H.265+, H.264, H.264+, MPEG4, MJPEG (for Hikvision network camera only)
Audio Decoding Format	G.711ulaw, G.711alaw, G.722, G.726, AAC, MP2L2
Live View Window Division	1/4/6/8/9/16/25/32/36/64-window
Recording Resolution	12MP/8MP/7MP/6MP/5MP/4MP/3MP/1080p/UXGA/720p/VGA/4CIF/DCIF/2CIF/CIF/QCIF
Synchronous Playback	Maximum 16-ch
Decoding Performance	20 × 1080p (H.264 and H.265)
HDD Management	
HDD Slot	16 × SATA interface for connecting 3.5-inch HDDs (support hot swapping)
Capacity	1 TB/2 TB/3 TB/4 TB/5 TB/6 TB/8 TB
RAID	RAID 0, RAID 1, RAID 5, RAID 6, RAID 10; Global hot spare disk supported
Storage Extension	
eSATA Interface	1 × eSATA interface
SAS Interface	2 × miniSAS interface (Optional)

Physical Interface



Storage Board	
1. HDMI Interfaces	7. RS-232 Serial Interface
2. Audio Out	8. eSATA Interface
3. Audio In	9. Reset Button
4. USB 3.0 Interfaces	10. RS-485 Serial Interface
5. LAN Network Interfaces	11. Alarm In and Alarm Out
6. VGA Interface	12. 100 to 240 VAC Power Input

Server Board	
1. HDMI Interfaces	5. LAN Network Interfaces
2. Audio In	6. VGA Interface
3. Audio Out	7. RS-232 Serial Interface
4. USB 3.0 Interfaces	