

RCM-DE4A

In-Ceiling Mounting Bracket for DS-2DE4 Series Cameras

- Steel material with surface spray treatment
- Designed for DS-2DE4 Series Cameras
- Magnetic design facilitates 4" PTZ camera installation

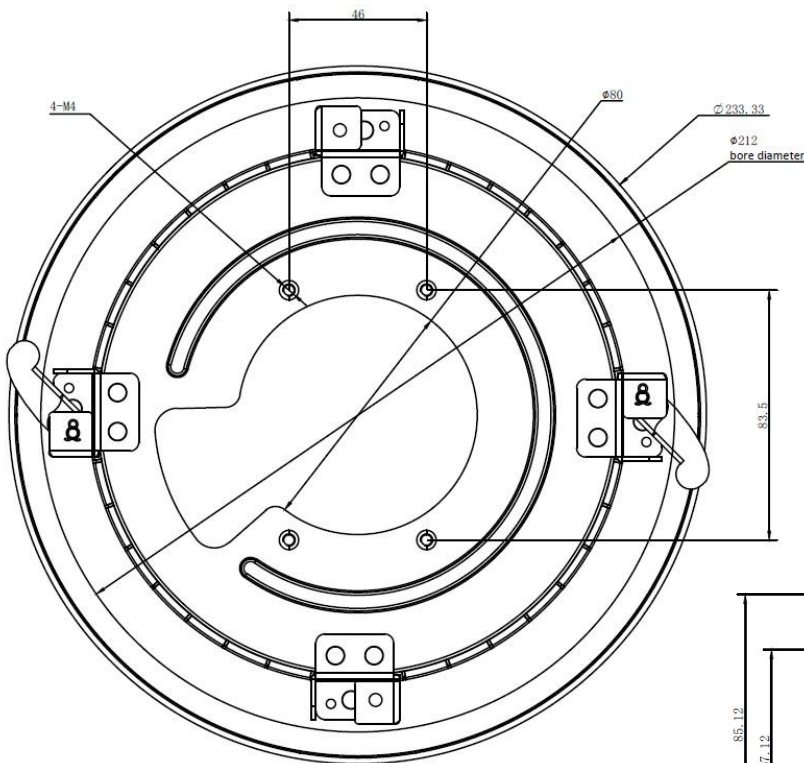


The bracket should be installed on a flat ceiling. The ceiling must be capable of supporting at least 3 times as much as the total weight of the camera and the bracket. The bracket's maximum load capacity is 8.8 lbs (4 kg).

Available Model: RCM-DE4A

Dimensions

Specifications



	RCM-DE4A
Appearance	Hikvision White
Material	Steel
Dimension	Φ 9.2" x 3.3" (Φ 233.3 x 85 mm)
Cable Hole	Φ 8.3" (Φ 212 mm)
Weight	1.4 lbs (640 g)

