

Title:	Turret Camera Base Change	Version:	v1.0	Date:	021816
Products:	Select Hikvision Turret Cameras	Page:	1 of 3		
Action Required:	None, Information Only				

Summary

The Hikvision turret cameras listed below have the following changes:

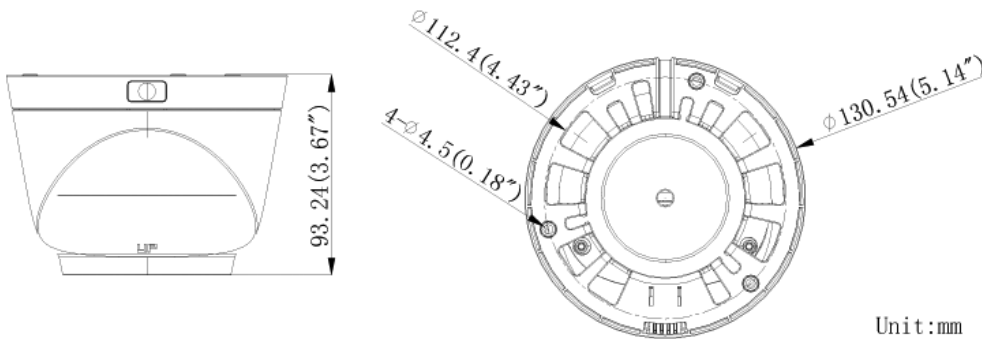
- Turret base material has been changed from plastic to aluminum
- Turret base dimensions have changed
- Mounting hole positions have changed

Affected Cameras

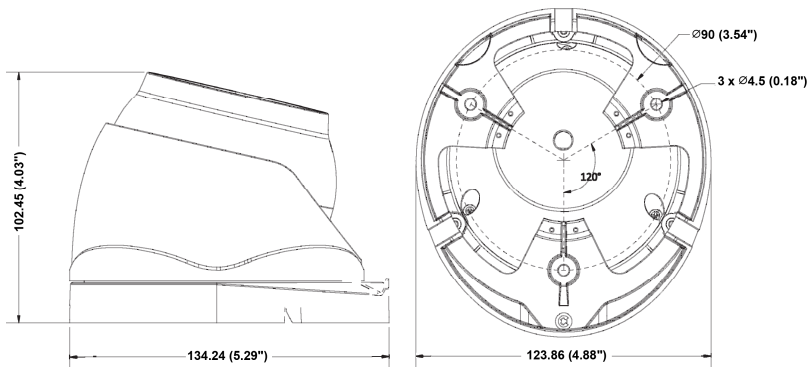
DS-2CE56D5T-IT3
 DS-2CE56D5T-VFIT3
 DS-2CE56C5T-IT1
 DS-2CE56C5T-VFIT3

Dimensions

- **Original (Plastic Base) DS-2CE56C5T-VFIT3 and DS-2CE56D5T-VFIT3**

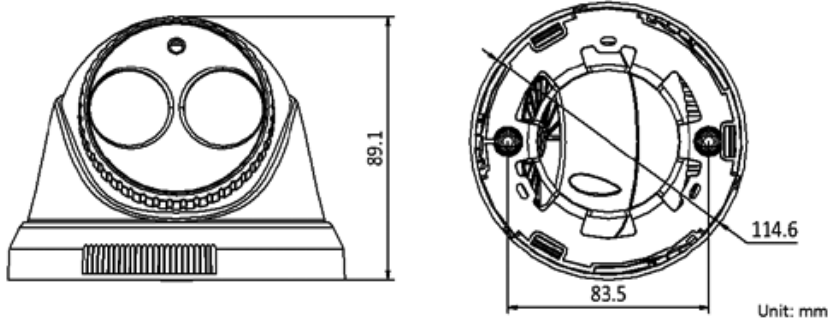


- **New (Metal Base) DS-2CE56C5T-VFIT3 and DS-2CE56D5T-VFIT3**

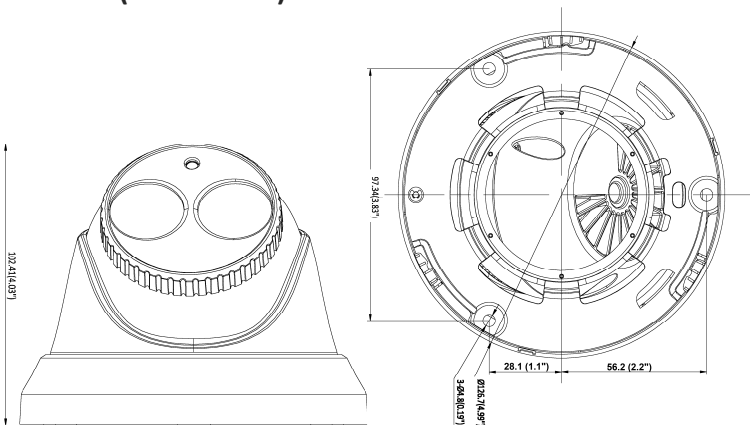


Title:	Turret Camera Base Change	Version:	v1.0	Date:	021816
Products:	Select Hikvision Turret Cameras	Page:	2 of 3		
Action Required:	None, Information Only				

- **Original** (Plastic Base) DS-2CE56D5T-IT3 and DS-2CE56C5T-IT1



- **New** (Metal Base) DS-2CE56D5T-IT3 and DS-2CE56C5T-IT1



Title:	Turret Camera Base Change	Version:	v1.0	Date:	021816
Products:	Select Hikvision Turret Cameras	Page:	3 of 3		
Action Required:	None, Information Only				

Original Plastic Base Models vs. New Metal Base Models

Original Model		
Plastic Base		
Material Code	Model Name	Accessories
300604875	DS-2CE56C5T-IT1 (2.8 mm)	PC110, WM110, PM, CBS, ABS
300604874	DS-2CE56C5T-IT1 (3.6 mm)	PC110, WM110, PM, CBS, ABS
300604877	DS-2CE56C5T-IT1 (6 mm)	PC110, WM110, PM, CBS, ABS
300604876	DS-2CE56C5T-IT1 (8 mm)	PC110, WM110, PM, CBS, ABS
300604958	DS-2CE56C5T-VFIT3 (2.8-12 mm)	PC130T, PM, CM, CBM, ABM
300604755	DS-2CE56D5T-IT3 (2.8 mm)	PC110, WM110, PM, CBS, ABS
300604741	DS-2CE56D5T-IT3 (3.6 mm)	PC110, WM110, PM, CBS, ABS
300604742	DS-2CE56D5T-IT3 (6 mm)	PC110, WM110, PM, CBS, ABS
300604743	DS-2CE56D5T-IT3 (12 mm)	PC110, WM110, PM, CBS, ABS
300604956	DS-2CE56D5T-VFIT3 (2.8-12 mm)	PC130T, PM, CM, CBM, ABM

New Model		
Metal Base		
Material Code	Model Name	Accessories
300607058	DS-2CE56C5T-IT1 (2.8 mm)	PC130T, PM, CM, CBM, ABM, CPM
300607057	DS-2CE56C5T-IT1 (3.6 mm)	PC130T, PM, CM, CBM, ABM, CPM
300607060	DS-2CE56C5T-IT1 (6 mm)	PC130T, PM, CM, CBM, ABM, CPM
300607059	DS-2CE56C5T-IT1 (8 mm)	PC130T, PM, CM, CBM, ABM, CPM
300607065	DS-2CE56C5T-VFIT3 (2.8-12 mm)	Same; PC130T, PM, CM, CBM, ABM
300607055	DS-2CE56D5T-IT3 (2.8 mm)	PC130T, PM, CM, CBM, ABM, CPM
300607051	DS-2CE56D5T-IT3 (3.6 mm)	PC130T, PM, CM, CBM, ABM, CPM
300607052	DS-2CE56D5T-IT3 (6 mm)	PC130T, PM, CM, CBM, ABM, CPM
300607053	DS-2CE56D5T-IT3 (12 mm)	PC130T, PM, CM, CBM, ABM, CPM
300607064	DS-2CE56D5T-VFIT3 (2.8-12 mm)	Same; PC130T, PM, CM, CBM, ABM

Shipments

Original plastic base versions will continue shipping until stock is depleted, then metal base units will begin shipping. Contact customer service for special requests.