

DS-2CE16D7T-AIT3Z

HD1080p Motorized VF EXIR Outdoor Bullet Camera

- 1/2.7" (2 MP) Progressive Scan High-Performance CMOS
- Analog HD Output, Up to 1080p Resolution
- 2.8 mm to 12 mm Motorized Vari-Focal Lens
- True Day/Night
- OSD Menu, DNR, Smart IR
- True WDR, Up to 120 dB
- EXIR Technology, Up to 131 ft (40 m) IR Distance
- Up-the-Coax (HIKVISION-C)
- IP66, Wide Temperature Range



The Hikvision DS-2CE16D7T-AIT3Z TurboHD motorized vari-focal EXIR bullet camera offers high HD-TVI resolution up to 1080p over existing coaxial cables. With Hikvision's proprietary H.264+ video compression technology, enjoy up to 50 percent smaller video streams and storage requirements.

Analog HD output ensures high-quality 1080p video over existing coaxial cable lines. The DS-2CE16D7T-AIT3Z supports extended cable distances up to 2,625 feet (800 meters) at 1080p over RG-6 cable.

Hikvision's proprietary EXIR technology extends the IR range to 131 feet (40 meters) for excellent video quality at extended distances.

True WDR (Wide Dynamic Range) at 120 dB provides greater exposure range under challenging lighting conditions.

The motorized vari-focal lens offers flexibility and remote convenience.

The DS-2CE16D7T-AIT3Z supports IP66, a wide temperature range, and is intended for outdoor use.

Available Models: DS-2CE16D7T-AIT3Z

Specifications

DS-2CE16D7T-AIT3Z

Camera

Image Sensor	1/2.7" (2 MP) CMOS image sensor
Signal System	PAL/NTSC
Effective Pixels	1920 x 1088
Minimum Illumination	0.01 lux @ (f/1.2, AGC on), 0 lux with IR
Shutter Speed	1/25 (1/30) s to 1/50,000 s
Lens	Motorized VF lens; 2.8 mm to 12 mm Angle of view: 35.1° to 114.5°
Lens Mount	φ14
Day/Night	ICR
3-Axis Positioning	Pan: 0° to 360°; tilt: 0° to 90°; rotate: 0° to 360°
Synchronization	Internal synchronization
WDR	120 dB
Video Frame Rate	1080p @ 25 fps/1080p @ 30 fps (PAL/NTSC)
HD Video Output	1 analog HD-TVI output
S/N Ratio	> 62 dB

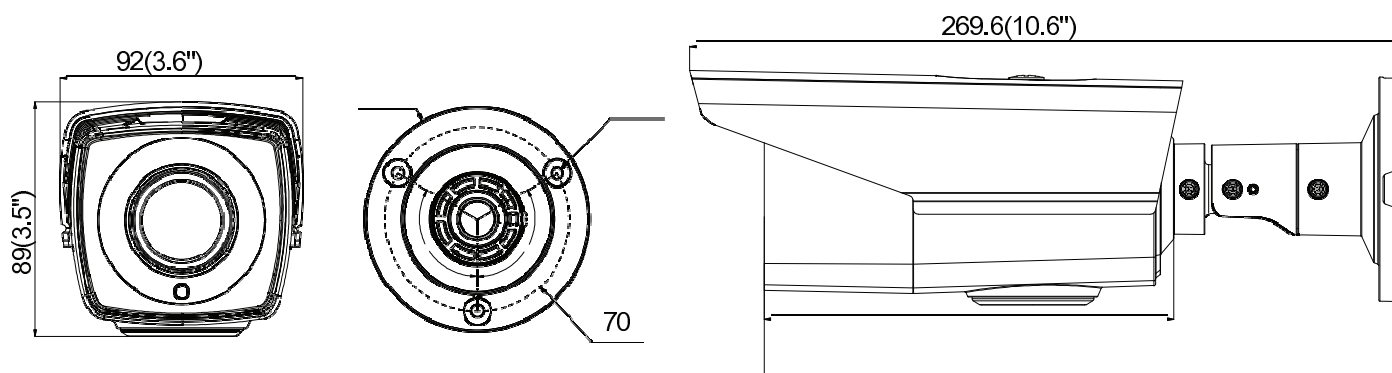
Menu

AGC	Supported
D/N Mode	Color/BW/Smart
White Balance	ATW/MWB
BLC	Supported
Functions	Wide Dynamic Range, digital noise reduction, mirror, Smart IR

General

Operating Conditions	-40° C to 60° C (-40° F to 140° F), humidity 90% or less (non-condensing)
Power Supply	12 VDC ±15%; -A: 12 VDC/24 VAC ±15%
Power Consumption	Maximum 6 W; -A: maximum 9 W
Protection Level	IP66
IR Range	Up to (40 m)
Communication	Up-the-Coax, protocol: HIKVISION-C (HD-TVI output)
Dimensions	3.6" × 3.5" × 10.6" (92 mm × 89 mm × 269.6 mm)
Weight	Approximately 1.98 lb (900 g)

Dimensions



Accessories

			
PM Vertical Pole Mount	CBS Junction Box	DS-1H18 Video Balun	X41T Camera Tester