

DS-2CE56D7T-IT3Z

HD1080p Motorized VF EXIR Outdoor Turret Camera

- 1/2.7" (2 MP) High-Performance CMOS
- Analog HD Output, Up to 1080p Resolution
- 2.8 mm to 12 mm Motorized Vari-Focal Lens
- True Day/Night
- OSD Menu, DNR, Smart IR
- True WDR, Up to 120 dB
- EXIR Technology, Up to 131 ft (40 m) IR Distance
- IP66 Weatherproof
- Up-the-Coax (HIKVISION-C)



The Hikvision DS-2CE56D7T-IT3Z turret camera provides high definition analog output up to 1080p. TurboHD means that the analog signal can be sent over existing RG6 coaxial cable, eliminating the need to run new cables for high definition video.

EXIR is Hikvision's proprietary IR extended range technology, which has a range of 66 feet (20 meters). Smart IR varies IR output based on the zoom setting.

The motorized 2.8 mm to 12 mm VF lens allows remote settings. True WDR (Wide Dynamic Range) of 120 dB ensures images will be optimal, no matter what the lighting conditions.

This camera also features a range of Smart functions, including line crossing, intrusion, and region entrance and exit, benefitting users with great improvements on security efficiency and, more importantly, with key events and objects being recorded for further forensic needs.

It is an outdoor IP66 camera that supports a wide temperature range.

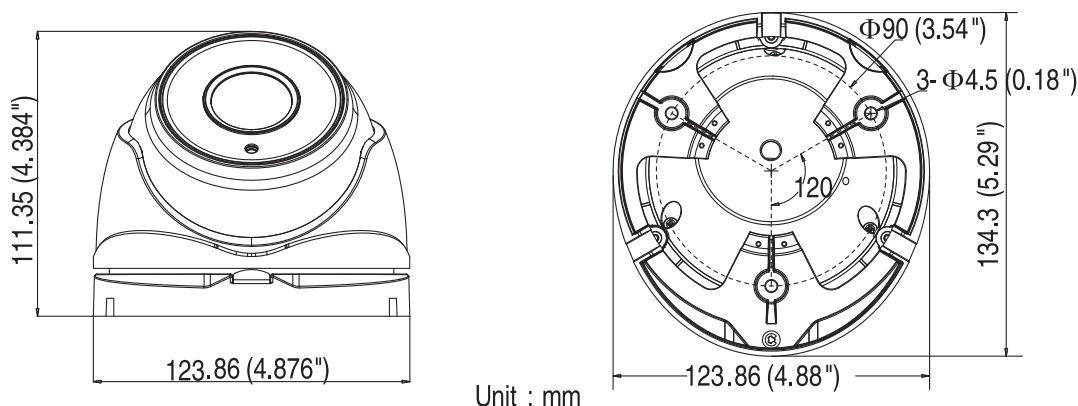
Available Models: DS-2CE56D7T-IT3Z



Specifications

DS-2CE56D7T-IT3Z	
Camera	
Image Sensor	1/2.7" (2 MP) CMOS image sensor
Signal System	PAL/NTSC
Effective Pixels	1928 x 1088
Minimum Illumination	0.01 lux @ f/1.2, AGC on, 0 lux with IR
Shutter Speed	1/25 (1/30)s to 1/50,000s
Lens	Motorized VF lens, 2.8 mm to 12 mm Angle of view: 35.1° to 114.5°
Lens Mount	φ14
Day/Night	ICR
3-Axis Positioning	Pan: 0° to 360°; tilt: 0° to 75°; rotate: 0° to 360°
Synchronization	Internal synchronization
WDR	120 dB
Video Frame Rate	1080p @ 25 fps/1080p @ 30 fps (PAL/NTSC)
HD Video Output	1 analog HD-TVI output
S/N Ratio	> 62 dB
Menu	
AGC	Supported
D/N Mode	Color/BW/Smart
White Balance	ATW/MWB
BLC	Supported
Functions	Wide Dynamic Range, digital noise reduction, mirror, Smart IR
General	
Operating Conditions	-40° F to 140° F (-40° C to 60° C), humidity 90% or less (non-condensing)
Power Supply	12 VDC ±15%
Power Consumption	Maximum 6 W
Protection Level	IP66
IR Range	Up to 131 ft (40 m)
Communication	Up-the-Coax, protocol: HIKVISION-C (HD-TVI output)
Dimensions	5.29" × 4.88" × 4.39" (134.3 mm × 123.9 mm × 111.4 mm)
Weight	Approximately 1.57 lb (750 g)

Dimensions



Accessories

WML + PC130T Long Wall Mount + 130 mm Pendant Cap	PM Vertical Pole Mount	CM Corner Mount	CBS Conduit Base	ABS Angled Base	DS-1H18 Video Balun	X41T Camera Tester