

DS-2CD2T25FWD-I5

2 MP Ultra-Low Light Network Bullet Camera

H.265+

- Up to 2 MP High Resolution
- Full 1080p @30 fps
- 2.8 mm / 4 mm / 6 mm / 8 mm Fixed Lens Options
- Ultra-Low Light, 0.008 Lux, DarkFighter technology
- H.265+, H.265, H.264+, H.264
- 120 dB Wide Dynamic Range
- 3D Digital Noise Reduction
- 12 VDC & PoE (802.3af)
- EXIR 2.0 with up to 165 ft (50 m) IR range
- MicroSD card slot supports up to 128 GB
- IP67 Protection

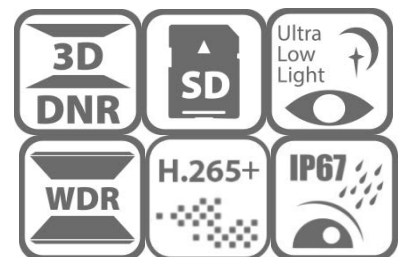
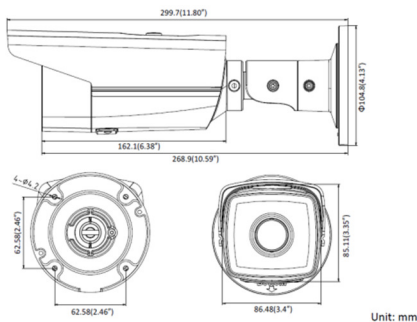


Available models:

DS-2CD2T25FWD-I5

Hikvision's DS-2CD2T25FWD-I5 provides important new technology for any security application. The H.265+ codec assures savings in bandwidth and storage. The DarkFighter Ultra-Low Light technology allows for use in the most demanding lighting conditions. EXIR 2.0 technology enhances night time performance.

Dimensions



DS-2CD2T25FWD-I5	
Camera	
Image Sensor	1/2.8" Progressive Scan CMOS
Minimum Illumination	Color: 0.008 lux @(F1.6, AGC ON), 0 lux with IR
Shutter Time	1/3 s to 1/100,000 s
Slow Shutter	Supported
Lens	108° (2.8 mm), 86.4° (4 mm), 52° (6 mm), 40° (8 mm)
Lens Mount	M12
Iris	F1.6
3-Axis Adjustment	Pan: 0° to 360°; Tilt: 0° to 100°; Rotate: 0° to 360°
Day and Night	IR Cut Filter
DNR	3D DNR
Wide Dynamic Range	120 dB
Compression Standard	
Video Compression	Main stream: H.265+ / H.265 / H.264+ / H.264; sub stream: H.265+ / H.265 / H.264+ / H.264 / MJPEG; third stream: H.265+ / H.265 / H.264+ / H.264
H.264 Type	Main profile / high profile
H.264+	Support
H.265 Type	Main profile
H.265+	Support
Video Bit Rate	32 Kbps to 16 Mbps
Image	
Maximum Resolution	1920 × 1080
Main Stream	30 fps (1920 × 1080, 1280 × 960, 1280 × 720)
Sub Stream	30 fps (640 × 360, 352 × 240)
Third Stream	30 fps (1920 × 1080, 1280×720, 640 × 360, 352 × 240)
Image Enhancement	BLC / 3D DNR
Image Settings	Rotate mode supported. Brightness, contrast, saturation, and sharpness are adjustable via web browser and client software
ROI (Region of Interest)	Separate support for one fixed region in main and sub streams
Day / Night Switch	Auto / scheduled
Network	
Network Storage	Support for microSD / SDHC / SDXC card (128G), local storage, NAS (NFS,SMB/CIFS), ANR
Alarm Trigger	Motion Detection, tampering alarm, network disconnected, IP address conflict, illegal login, HDD full, HDD error
Protocols	TCP/IP, UDP, ICMP, HTTP, HTTPS, FTP, DHCP, DNS, DDNS, RTP, RTSP, RTCP, PPPoE, NTP, UPnP, SMTP, SNMP, IGMP, 802.1X, QoS, IPv6
Standard	ONVIF (PROFILE S, PROFILE G), PSIA, CGI, ISAPI
General Function	One-key reset, anti-flicker, heartbeat, mirror, password protection, privacy mask, watermark, IP address filter
Interface	
Communication Interface	1 RJ45 10M/100M self-adaptive Ethernet port
On-board Storage	Built-in microSD / SDHC / SDXC slot, up to 128 GB
Smart Feature Set	
Behavior Analysis	Line crossing detection, intrusion detection, unattended baggage detection, object removal detection
Line Crossing Detection	Cross a pre-defined virtual line, up to 1 pre-defined virtual line supported
Intrusion Detection	Enter and loiter in a pre-defined virtual region, up to 1 pre-defined virtual region supported
Object Removal Detection	Objects removed from a pre-defined region, such as exhibits on display
Unattended Baggage Detection	Objects left over in the pre-defined region such as baggage, purses, and dangerous materials
Face Detection	Human face appears in the image can be detected and trigger linkage method
General	
Operating Conditions	-22° F to 140° F (-30° C to 60° C), Humidity 95% or less (non-condensing)
Power Supply	12 VDC ± 25%, 6W; PoE(802.3af, 42.5 to 57 V, class 3)
Power Consumption	12 VDC ± 25%, 7.5W; PoE, 9.5W
IR Range	Up to 165 ft (50 m)
Protection Level	IP67
Dimensions	Camera: Φ 4.13" x 11.8" (Φ104.8 × 299.7 mm); Package: 15.2" x 6.14" x 6.1" (386 mm × 156 mm × 155 mm)
Weight	2.65 lbs (1200 g)

Accessories



CBS
Junction Box